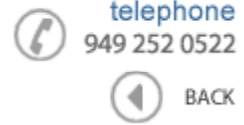




Data Sheet



Product Category: IF SAW Filter

Part Number	Package	Application	Last Modified
807-SL300.0M-07	7.0 x 5.0 SMD	Mobile Communication	Jan. 01, 2007

TYPE :

300.00 MHz Bandpass Filter
9.20 MHz Bandwidth



PART NUMBER :

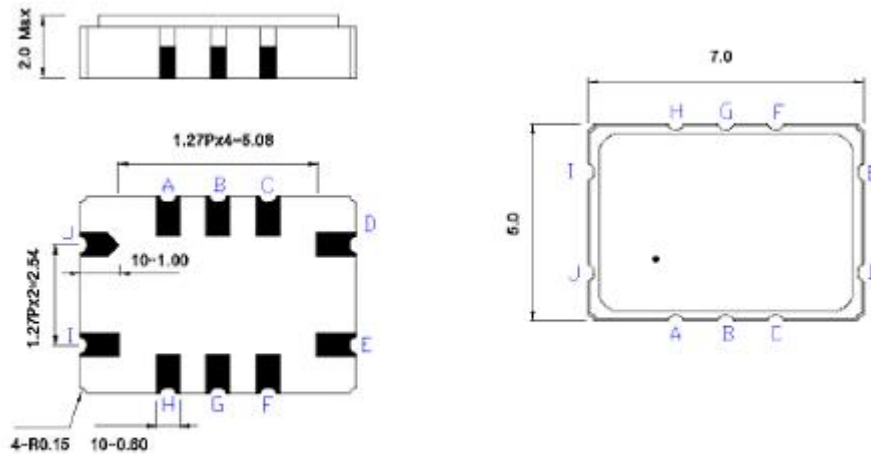
807-SL300.0M-07

OPERATING CONDITIONS / ELECTRICAL CHARACTERISTICS

PARAMETERS	Minimum	Typical	Maximum	Units
Center Frequency	-	300.00	-	MHz
Insertion Loss at Fo	-	14.0	-	dB
Bandwidth at -1.0 dB	7.0	7.40	-	MHz
Bandwidth at -3.0 dB	8.0	9.20	-	MHz
Bandwidth at -40.0 dB	-	15.40	17.0	MHz
Relative Attenuation	-			
Lower Sidelobe	40	45	-	dB
Upper Sidelobe	40	45	-	dB
Temperature Coefficient	-	-23	-	ppm/°C
Input / Output Impedance (Single Ended)*	-	50	-	ohm
Amplitude Ripple	-	0.65	1.5	dBp-p
Group Delay Variation	-	32	100	ns
Ambient Temperature	-	25	-	°C
Absolute Delay at Fo	-	0.520	1.0	µsec

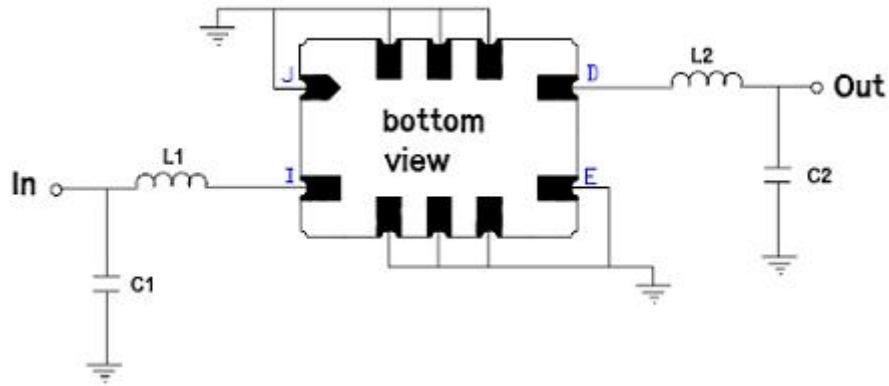
* With Matching Network (Ref. Testing Environment Circuit as shown) Modification to Impedance Values are possible if needed.

PACKAGE OUTLINE (mm)



PIN Descriptions: IN – I, OUT – D, GROUND – A, B, C, E, F, G, H, J

TEST FIXTURE

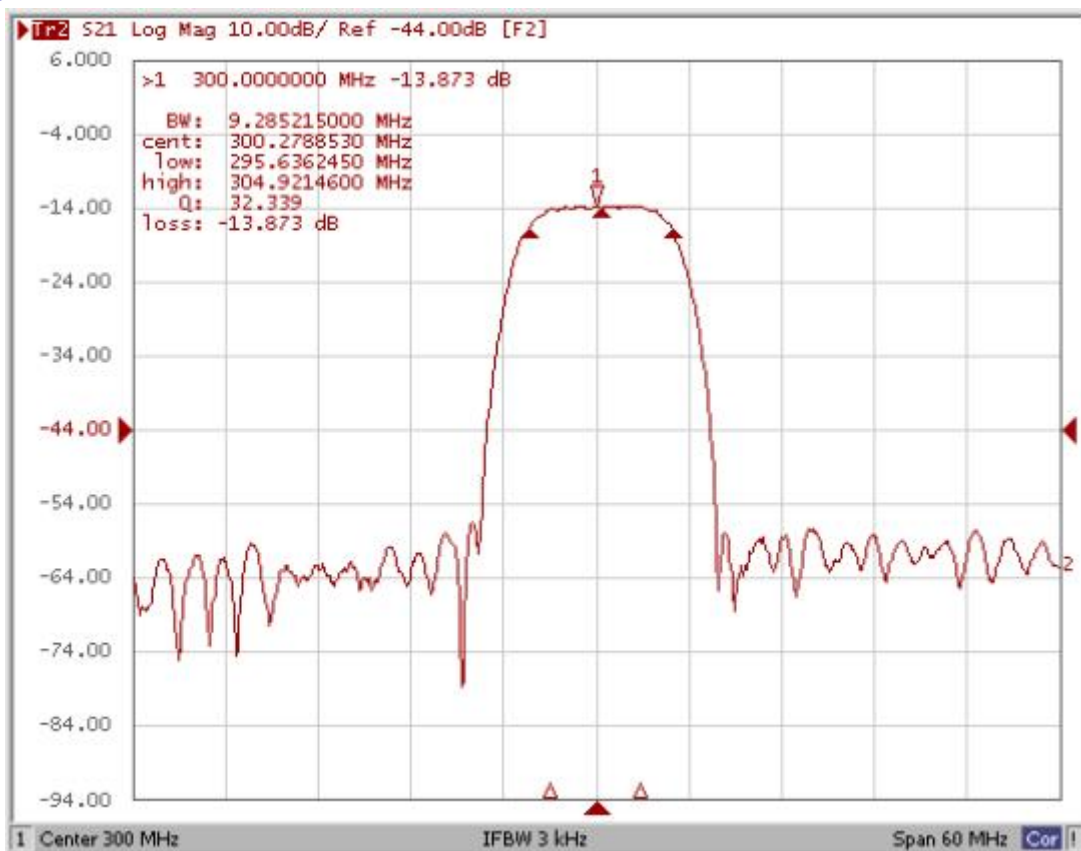


TEST FIXTURE AND VALUES/SOURCE AND LOAD IMPEDANCE 50 ohm

INPUT: L1: 28 nH; C1: 16pF

OUTPUT: L2: 25 nH; C2: 18pF

FREQUENCY RESPONSE



Oscilent Corporation - CALL 949.252.0522

Part No.: 807-SL300.0M-07

18195 East McDermott Street, Building D, Irvine, CA 92614, USA
 Fax: 949.252.0599, E-Mail: Sales@Oscilent.com