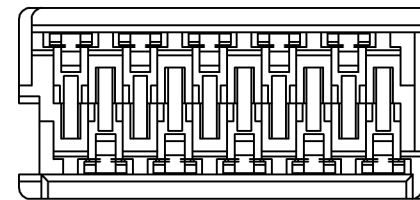
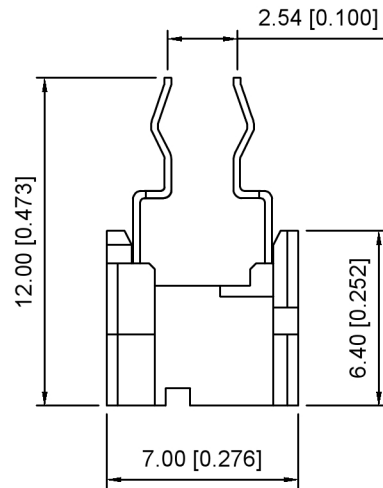
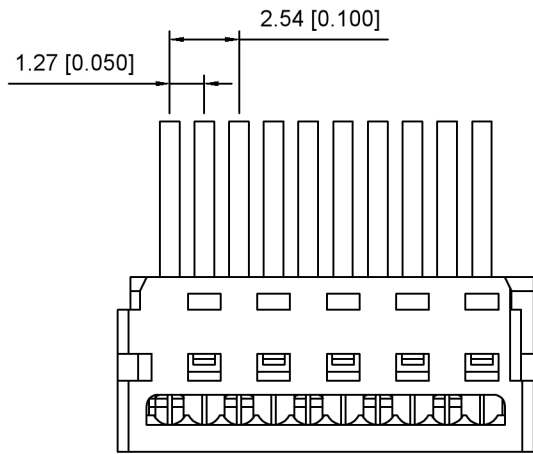


Voltage rating:500V AC/DC  
 额定电压:500V AC/DC  
 Current rating:1A  
 额定电流:1A  
 Insulation resistance:1000MΩ Min  
 绝缘电阻:1000MΩ Min  
 Withstanding voltage:≥500V AC/minute  
 耐压:≥500V/分钟  
 Temperature range:-40℃-+105℃  
 使用温度:-40℃-+105℃  
 Life:5000  
 寿命:5000

X9127 H I-XX A1 - PT XX  
 ① ②③④⑤ ⑥ ⑦

- ①Series No.
- ②Category:H-HSG
- ③Appearance type:I-HSC+hardware
- ④Row No.-Pin No.:XX-04P~26P
- ⑤Plug the Pin &Special No.:A1-Doudle Deficiency
- ⑥Material:PT-PBT 94V-0
- ⑦Planting Category:SN-Bright Tin plating



26	31.75	35.53
24	29.21	32.99
22	26.67	30.45
20	24.13	27.91
18	21.59	25.37
16	19.05	22.83
14	16.51	20.29
12	13.97	17.75
10	11.43	15.21
8	8.89	12.67
6	6.35	10.13
4	3.81	7.59
CCT SIZE	DIMENSION A	DIMENSION A

X9127HI-XXA1-PTSN	PBT UL94V-0	Phosphor Bronze	TIN
PART NO	Material	Material(Pin)	Finish(Pin)

广东星坤科技股份有限公司

生效日期

文件工程章

REVISIONS

UNSPECIFIED TOLERANCES

www.helloxkb.com www.helloxkb.cn www.xk-dg.cn

ANGLAR	±5°
L ≤ 4	±0.2
4 < L ≤ 16	±0.3
16 < L ≤ 63	±0.4
L > 63	±0.5



DSND	SCALE: N/A	MODEL TYPE: 1.27mm Crimp Style Connectors
DWN	VIEW:	PART NO.: X9127HI-XXA1-PTXX
CHKD	UNIT: mm/in	DWG NO.: X-X9127HI-XXA1-PTXX
APPD	SIZE: A4	WEIGHT
		SHEET
		REVISION
		1/1
		A0

XKB INDUSTRIAL PRECISION CO., LIMITED