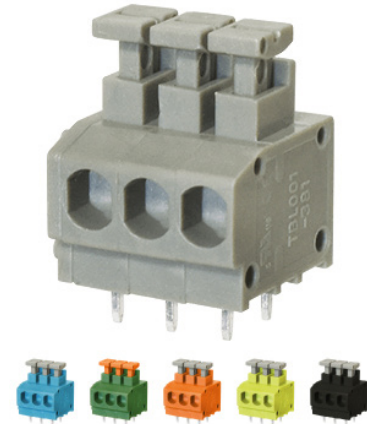


**SERIES:** TBL001-381 | **DESCRIPTION:** TERMINAL BLOCK

**FEATURES**

- 1~24 poles
- horizontal with board
- interlocking (side)
- push button clamp
- 3.81 mm pitch
- UL and CE safety approvals



**SPECIFICATIONS**

parameter	conditions/description	min	typ	max	units
rated voltage (per contact)	UL			300	V
	IEC			250	V
rated current (per contact)	UL			5	A
	IEC			10	A
withstanding voltage			2000		Vac
surge voltage				4000	V
contact resistance				20	mΩ
insulation resistance	at 500 Vdc	500			MΩ
operating temperature		-40		105	°C
safety approvals	UL 1059, EN 60998-1:2004, EN 60998-2-1:2004				
flammability rating	UL94V-0				
RoHS	yes				

**SOLDERABILITY**

parameter	conditions/description	min	typ	max	units
hand soldering	for maximum 10 seconds	345	350	355	°C
wave soldering	for maximum 5 seconds	255	260	265	°C

**PART NUMBER KEY**

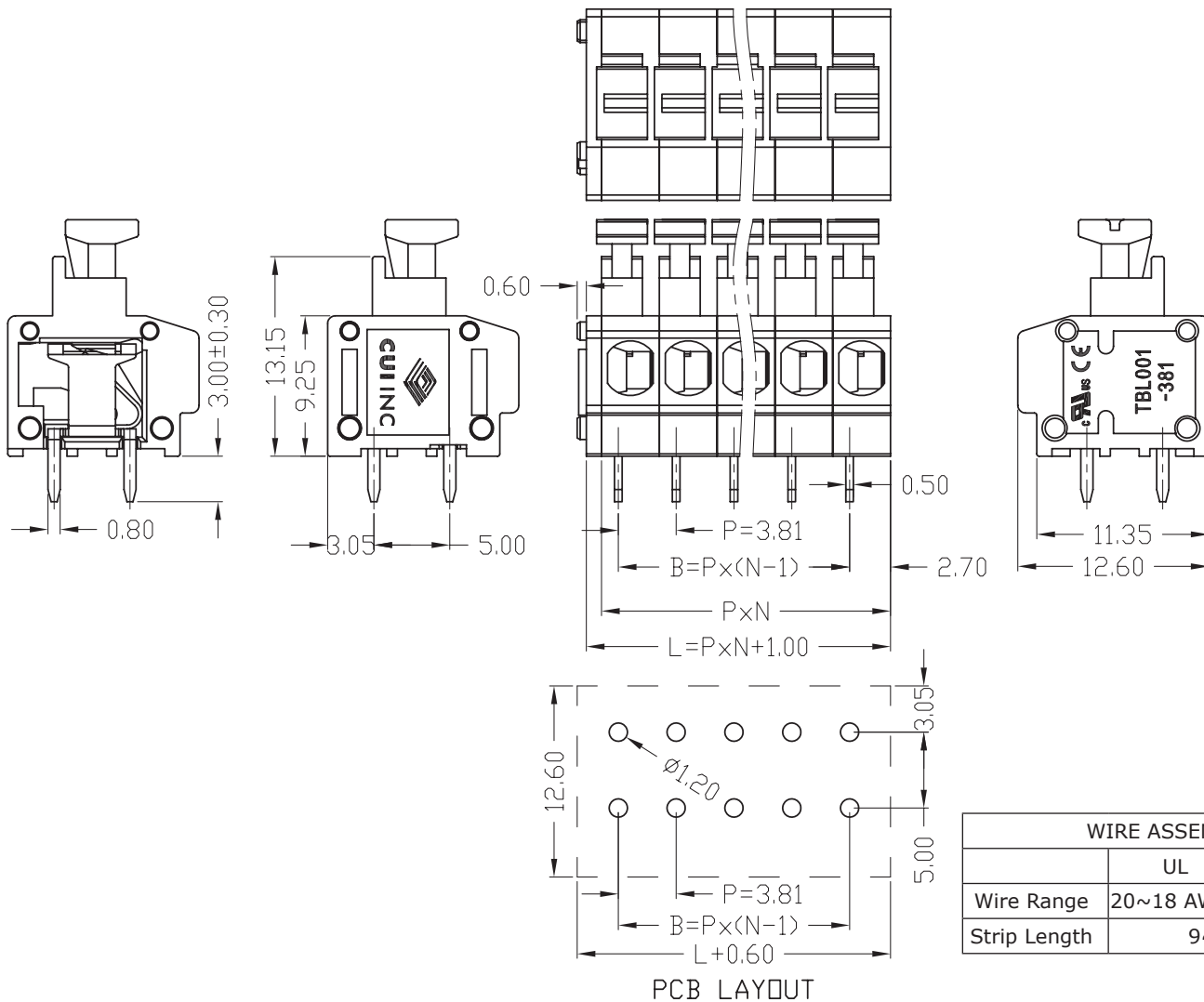
**TBL001-381 - XX XX - 2XX**

Base Number	No. of Poles:	Body Color:	Push Button Color:
01	13	BE = blue	BE = blue
02	14	GR = green	GR = green
03	15	OR = orange	OR = orange
04	16	YL = yellow	YL = yellow
05	17	GY = gray	GY = gray
06	18	BK = black	BK = black
07	19		WT = white
08	20		
09	21		
10	22		
11	23		
12	24		

## MECHANICAL DRAWING

units: mm  
 tolerance (per module):  
 $X \leq 6.00$ :  $\pm 0.25$  mm  
 $6.00 < X \leq 30.00$ :  $\pm 0.40$  mm  
 unless otherwise noted

DESCRIPTION	MATERIAL	PLATING/COLOR
housing	PA66 (UL94V-0)	
contacts	copper alloy	tin
spring	stainless steel	



WIRE ASSEMBLY		
	UL	IEC
Wire Range	20~18 AWG	1.5 mm <sup>2</sup>
Strip Length	9~10 mm	

This series is constructed of 1 pole modules where L is the total length, P is the pitch, and N is the number of poles.

N	01	02	03	04	05	06	07	08	09	10	11	12
L	4.81	8.62	12.43	16.24	20.05	23.86	27.67	31.48	35.29	39.10	42.91	46.72
B	--	3.81	7.62	11.43	15.24	19.05	22.86	26.67	30.48	34.29	38.10	41.91
N	13	14	15	16	17	18	19	20	21	22	23	24
L	50.53	54.34	58.15	61.96	65.77	69.58	73.39	77.20	81.01	84.82	88.63	92.44
B	45.72	49.53	53.34	57.15	60.96	64.77	68.58	72.39	76.20	80.01	83.82	87.63

## REVISION HISTORY

---

<b>rev.</b>	<b>description</b>	<b>date</b>
1.0	initial release	04/17/2019

The revision history provided is for informational purposes only and is believed to be accurate.



**CUI INC**<sup>®</sup>

**Headquarters**  
20050 SW 112th Ave.  
Tualatin, OR 97062  
**800.275.4899**

Fax 503.612.2383  
**cui.com**  
techsupport@cui.com

CUI offers a one (1) year limited warranty. Complete warranty information is listed on our website.

CUI reserves the right to make changes to the product at any time without notice. Information provided by CUI is believed to be accurate and reliable. However, no responsibility is assumed by CUI for its use, nor for any infringements of patents or other rights of third parties which may result from its use.

CUI products are not authorized or warranted for use as critical components in equipment that requires an extremely high level of reliability. A critical component is any component of a life support device or system whose failure to perform can be reasonably expected to cause the failure of the life support device or system, or to affect its safety or effectiveness.