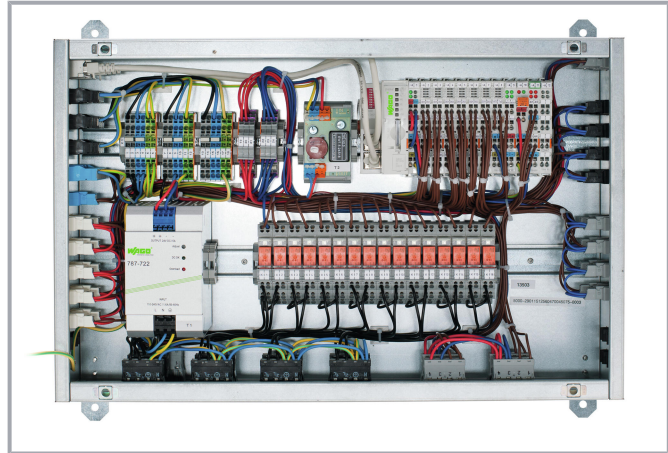


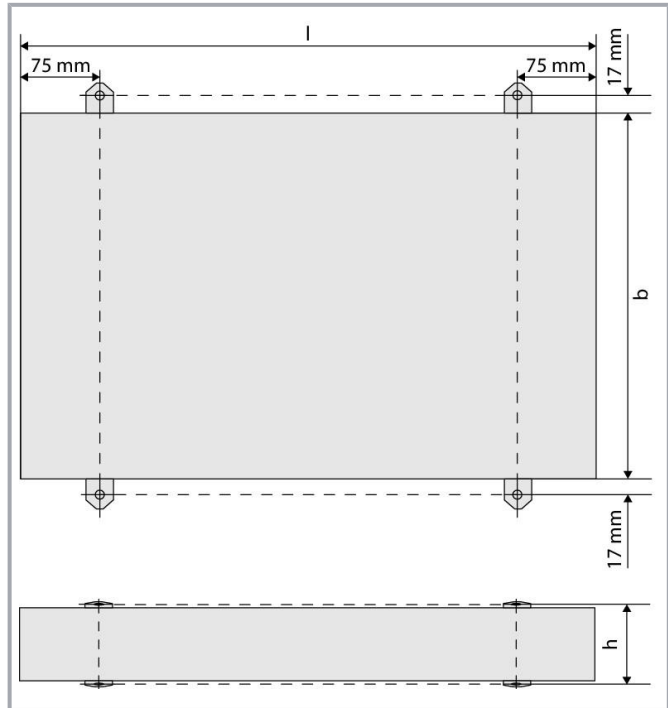
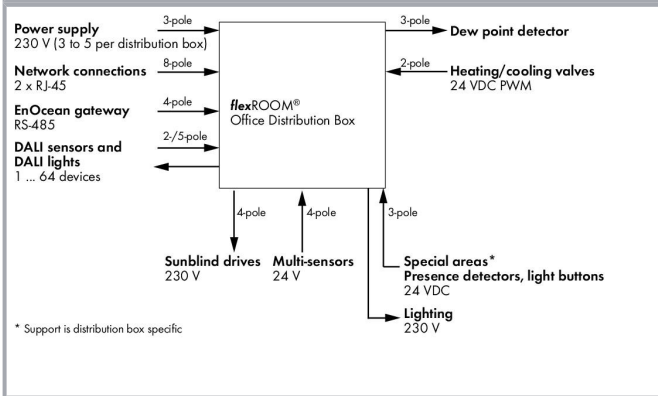
Data sheet | Item number: 2854-300/1008-8002
Office distribution box; Type 3; 8 axes; with specialty areas



www.wago.com/2854-300/1008-8002



i Picture differs from the item.



Subject to changes. Please also observe the further product documentation!

WAGO Kontakttechnik GmbH & Co. KG
Hansastr. 27
32423 Minden
Phone: +49571 887-0 | Fax: +49571 887-169
Email: info.de@wago.com | Web: www.wago.com

Do you have any questions about our products?
We are always happy to take your call at +49 (571) 887-44222.



Item description

The **flexROOM**[®] Office Distribution Boxes support the automation of both commercial and functional buildings (offices) with floor plans based on a room axis concept. The boxes automate both lighting and sun protection, while performing single-room control (heating/cooling) for up to 24 room axes. In addition to the room axes, special areas (e.g., stairways, corridors, sanitary facilities) may be automated via specialty **flexROOM**[®] Distribution Boxes.

Control is performed via WAGO 750-884 Application Controller, which is included in the **flexROOM**[®] Distribution Box and preloaded with a **flexROOM**[®] Office Application. Initial commissioning (IP address assignment via BootP server) can be performed via WAGOupload PC software.

A standard Web browser performs both initial room axis configuration and later reconfiguration directly on the distribution box's controller.

Several **flexROOM**[®] Distribution Boxes can be combined into a network via ETHERNET. A standard Web browser also establishes communication between the distribution boxes. A **flexROOM**[®] Distribution Box for weather stations can transmit weather data (e.g., outside temperature or wind alarms) to other **flexROOM**[®] Distribution Boxes for further processing.

For the connection of higher-level management stations, each **flexROOM**[®] Distribution Box provides data in MODBUS tables, that can be read and partly be written by the stations. Configuration data of the **flexROOM**[®] Distribution Boxes can cyclically be saved either directly on the included controller or on a separate computer.

The **flexROOM**[®] Distribution Box is equipped with WAGO WINSTA[®] Connection Technology. The **flexROOM**[®] Distribution Boxes differ from each other in the number of room axes, the support of specialty application areas, various functions depending on the inputs and outputs used.

Data

Technical data

| | |
|--------------------------|----------------------------------------------------------------------------------------------------------------------------------------------------------------------------------------------------------------------|
| Visualization | Web Visu |
| Baud rate | 10/100 Mbit/s |
| Transmission medium | Twisted Pair S-UTP; 100 Ω; Cat. 5; 100 m maximum cable length |
| Transmission performance | Class D per EN 50173 |
| Switching current | Sunblind drives: 1.5 A at 230 VAC; Lighting (DALI): 16 A (max.) in total; Heating/cooling valves: 250 mA; Lighting (relays): 16 A (max.) in total with DALI lighting fixtures |
| Switching voltage range | Sunblind drives: ±10 %; Lighting (DALI): ±10 %; Lighting (relays): ±10 % |
| Switching power | Sunblind drives: 300 W (AC3); Lighting (DALI): 3600 VA in total; Heating/cooling valves: 6 W (temporary), 3 W (average); Lighting (relays): 3600 VA in total with DALI lighting fixtures |
| Power supply | 230 VAC, 50 ... 60 Hz |
| Short-circuit-protected | No |

Subject to changes. Please also observe the further product documentation!



Connection data

| | |
|-----------------------------------------------|----------------------------------------------------|
| Connection technology: communication/fieldbus | EtherNet/IP™: 2 x RJ-45; Modbus TCP/UDP: 2 x RJ-45 |
| Connection technology: supply | 1 x 3-pole snap-in plugs (WAGO Item 770-713) |

Physical data

| | |
|------------------------------------|----------------------|
| Width | 500 mm / 19.685 inch |
| Height from upper-edge of DIN-rail | 150 mm / 5.906 inch |
| Depth | 650 mm / 25.591 inch |

Mechanical data

| | |
|---------------|-------------------|
| Mounting type | Wall, screw mount |
|---------------|-------------------|

Material data

| | |
|-----------|-----------|
| Fire load | 65.646 MJ |
| Weight | 11584.4 g |

Environmental requirements

| | |
|-----------------------------------------|---------------|
| Surrounding air temperature (operation) | -5 ... 45 °C |
| Surrounding air temperature (storage) | -20 ... 70 °C |

Commercial data

| | |
|----------------|---------|
| PU (SPU) | 1 Stück |
| Packaging type | box |

Downloads

Documentation

Manual

| | | | |
|-------------------------------------------------------------------------------------------------------------------------------|---------|----------------|----------|
| flexROOM®-Office-Verteiler T3 A8 S Typ 3, 8 Achsen, mit Sonderbereichen | V 1.0.2 | pdf 1.9 MB | Download |
| flexROOM®-Office-Applikation Zur Konfiguration von Systemverteilern, die einen Applikationscontroller 750-884 enthalten | V 1.0.2 | pdf 10.0 MB | Download |

Quick-Start Guide

Subject to changes. Please also observe the further product documentation!



| | | | |
|------------------------------------------------------------------|---------------|-----------------|----------|
| Schnellstartanleitung flexROOM | | pdf 479.3 kB | Download |
| Schema für flexROOM®-Office-Verteiler 2854-0300/1008-8002 | | pdf 1.2 MB | Download |
| flexROOM Office-Verteiler Zubehörliste | | pdf 165.7 kB | Download |
| Bid Text | | | |
| Ausschreibungstext flexROOM-Office-Verteiler 2854-0300/1008-8002 | | doc 31.2 kB | Download |
| Ausschreibungstexte zum Zubehör | | zip 63.5 kB | Download |
| 2854-0300/1008-8002 X81 - Datei | 2014. 11. 20. | xml 5.1 kB | Download |
| 2854-0300/1008-8002 doc - Datei | 2014. 11. 20. | doc 32.3 kB | Download |
| Leittext_flexROOM-Office Verteiler 2-Rohr-System.doc | | doc 38.9 kB | Download |
| Systemtext_flexROOM.doc | | doc 46.1 kB | Download |
| Compatibility Information | | | |
| VDI3813-Liste flexROOM-Office-Verteiler 2854-0300/1008-8002 | | zip 82.0 kB | Download |
| Additional Information | | | |
| Disposal; Electrical and electronic equipment, Packaging | V 1.0.0 | pdf 265.8 kB | Download |
| Engineering-Software | | | |
| Configuration and Commissioning Software | | | |
| WAGO flexROOM-Auswahltool | 1.1 | zip | Download |
| Excel-Hilfstool für die Auswahl von flexROOM® | 2012. 10. 12. | 9.3 MB | |

Subject to changes. Please also observe the further product documentation!



CAD/CAE-Data

CAE data

| | | |
|-----------------------------------|---------------------|--------------------------|
| WSCAD Universe 2854-300/1008-8002 | URL | Download |
| WSCAD Universe 2854-300/1008-8002 | URL | Download |

Environmental Product Compliance

Compliance Search

| | | |
|----------------------------------------------------------------------------------------------------------------------|---------------------|--------------------------|
| Environmental Product Compliance 2854-300/1008-8002 Office distribution box; Type 3; 8 axes; with specialty areas | URL | Download |
|----------------------------------------------------------------------------------------------------------------------|---------------------|--------------------------|

Installation Notes

Subject to changes. Please also observe the further product documentation!