

PLEASE CHECK WWW.MOLEX.COM FOR LATEST PART INFORMATION

Part Number: [0740950034](#)
Status: **Active**
Description: 2.54mm (.100") Pitch SL™ Header, Single Row, Vertical, Shrouded, 4 Circuits, 0.38µm (15µ") Gold (Au) Selective Plating over Tin (Sn) Plating

Documents:

[Drawing \(PDF\)](#) [Product Specification PS-74095-001 \(PDF\)](#)
[Product Specification PS-70400 \(PDF\)](#) [RoHS Certificate of Compliance \(PDF\)](#)

Agency Certification

CSA LR19980
 UL E29179

General

Product Family PCB Headers
 Series [74095](#)
 Application Wire-to-Board
 Product Name SL™

Physical

Breakaway No
 Circuits (Loaded) 4
 Circuits (maximum) 4
 Color - Resin Black
 Durability (mating cycles max) 25
 First Mate / Last Break No
 Flammability 94V-0
 Glow-Wire Compliant No
 Guide to Mating Part No
 Keying to Mating Part None
 Lock to Mating Part Yes
 Material - Metal Copper Alloy
 Material - Plating Mating Gold
 Material - Plating Termination Tin
 Material - Resin High Temperature Thermoplastic
 Number of Rows 1
 Orientation Vertical
 PC Tail Length (in) 0.174 In
 PC Tail Length (mm) 4.41 mm
 PCB Locator No
 PCB Retention None
 PCB Thickness Recommended (in) 0.093 In
 PCB Thickness Recommended (mm) 2.36 mm
 Packaging Type Tube
 Pitch - Mating Interface (in) 0.100 In
 Pitch - Mating Interface (mm) 2.54 mm
 Pitch - Term. Interface (in) 0.100 In
 Pitch - Term. Interface (mm) 2.54 mm
 Plating min: Mating (µin) 15
 Plating min: Mating (µm) 0.38
 Polarized to Mating Part Yes
 Polarized to PCB No
 Shrouded Fully
 Stackable No
 Surface Mount Compatible (SMC) No
 Temperature Range - Operating -40°C to +105°C

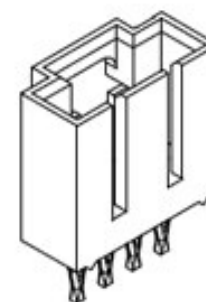


image - Reference only

Series

EU RoHS

RoHS Compliant by Exemption

REACH SVHC

Not Reviewed

Halogen-Free

Status

Not Halogen-Free

China RoHS



Need more information on product environmental compliance?

Email productcompliance@molex.com
 For a multiple part number RoHS Certificate of Compliance, [click here](#)

Please visit the [Contact Us](#) section for any non-product compliance questions.

Search Parts in this Series

[74095Series](#)

Termination Interface: Style

Through Hole - Compliant Pin

Electrical

Current - Maximum per Contact

3A

Voltage - Maximum

250V

Material Info

Reference - Drawing Numbers

Product Specification

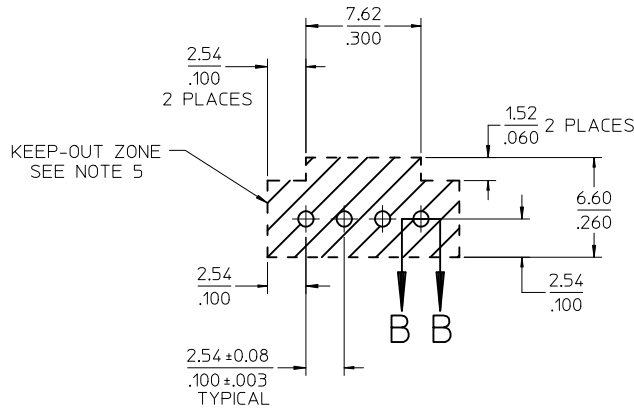
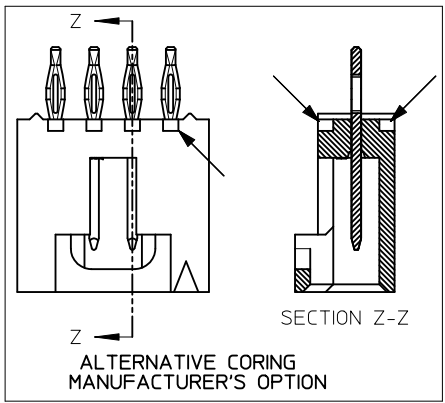
PS-70400, PS-74095-001

Sales Drawing

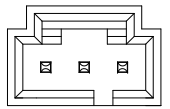
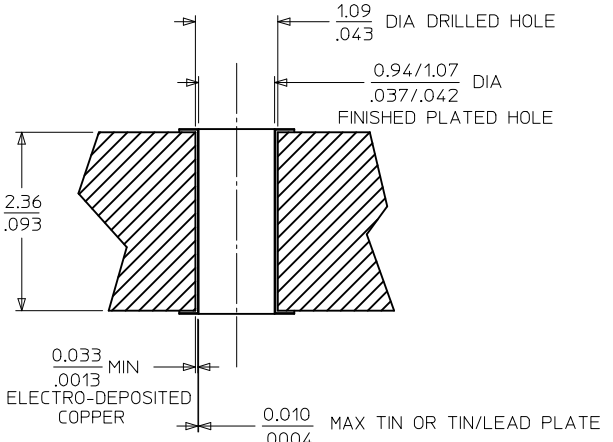
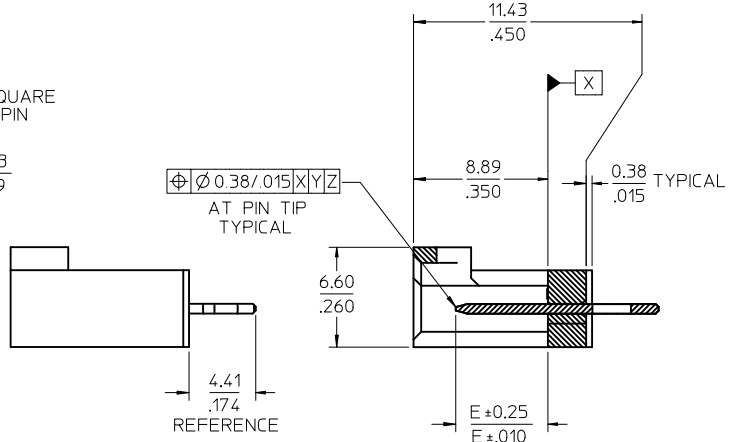
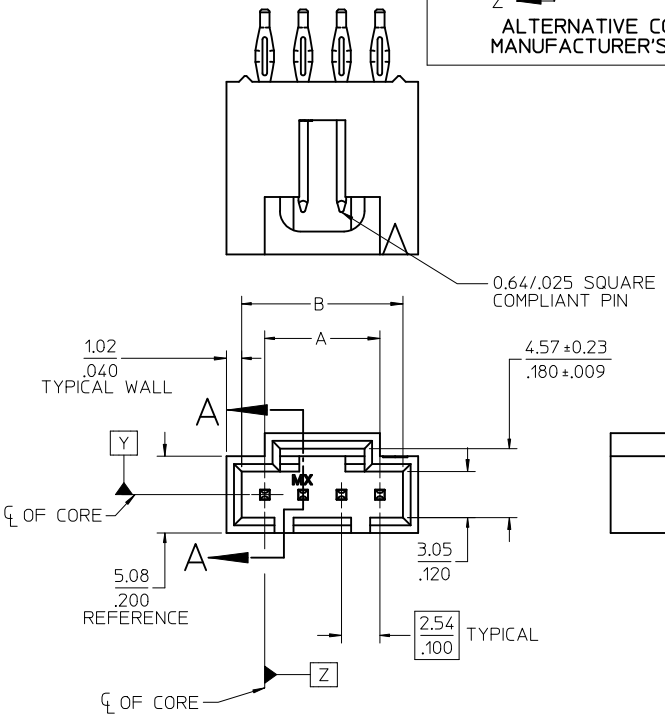
SD-74095-001

This document was generated on 06/07/2010

PLEASE CHECK WWW.MOLEX.COM FOR LATEST PART INFORMATION



CKT SIZE	DIM A		DIM B	
	MM	IN.	MM	IN.
3	5.08	.200	8.13	.320
4	7.62	.300	10.67	.420
5	10.16	.400	13.21	.520
6	12.70	.500	15.75	.620
7	15.24	.600	18.29	.720
8	17.78	.700	20.83	.820
9	20.32	.800	23.37	.920
10	22.86	.900	25.91	1.020
11	25.40	1.000	28.45	1.120
12	27.94	1.100	30.99	1.220
13	30.48	1.200	33.53	1.320
14	33.02	1.300	36.07	1.420
15	35.56	1.400	38.61	1.520
16	38.10	1.500	41.15	1.620
17	40.64	1.600	43.69	1.720
18	43.18	1.700	46.23	1.820
19	45.72	1.800	48.77	1.920
20	48.26	1.900	51.31	2.020
21	50.80	2.000	53.85	2.120
22	53.34	2.100	56.39	2.220
23	55.88	2.200	58.93	2.320
24	58.42	2.300	61.47	2.420
25	60.96	2.400	64.01	2.520



- NOTES:
- MATERIAL:
HOUSING: GLASS FILLED POLYESTER, UL94V-0, COLOR - BLACK.
PINS: COPPER ALLOY.
 - FINISH:
30 GOLD: 0.76 MICROMETERS/30 MICROINCHES MINIMUM SELECT GOLD
2.54 MICROMETERS/ 100 MICROINCHES MINIMUM SELECT TIN/LEAD OVER NICKEL UNDERPLATE OVERALL
15 GOLD: 0.38 MICROMETERS/15 MICROINCHES MINIMUM SELECT GOLD
2.54 MICROMETERS/ 100 MICROINCHES MINIMUM SELECT TIN/LEAD OVER NICKEL UNDERPLATE OVERALL
TIN: 5.08 MICROMETERS/200 MICROINCHES MINIMUM TIN OVER NICKEL UNDERPLATE OVERALL
 - PRODUCT SPECIFICATION: PS-74095-001
 - PACKAGING SPECIFICATION: PK-70873-0014
 - NO FEATURES WHICH RISE ABOVE THE PCB SURFACE ALLOWED IN THIS AREA
 - THIS PART CONFORMS TO MOLEX COSMETIC SPECIFICATION: PS-45992-002 CLASS C

REV	DESCRIPTION	QUALITY SYMBOLS	GENERAL TOLERANCES (UNLESS SPECIFIED)		DIMENSION STYLE MM/IN	SCALE 4:1	DESIGN UNITS INCH	THIRD ANGLE PROJECTION			
			mm	INCH							
ADD 4, 16 & 20 CKT			4 PLACES	± .005				SALES ASSY, SL VERTICAL HEADER W/COMPLIANT PIN NO PEGS MOLEX INCORPORATED SD-74095-001 SHEET NO. 1 OF 2			
EC NO: UCP2010-1046			3 PLACES	± .005							
DRWN:MSIBARRA	2009/10/21		2 PLACES	± 0.13	± .010						
CHKD:DMORGAN	2009/12/01		1 PLACE	± 0.25	± .005						
APPR:SMILLER	2009/12/01		ANGULAR ± 1/2°								
DRAFT WHERE APPLICABLE MUST REMAIN WITHIN DIMENSIONS			SEE TABLE		MATERIAL NO. DOCUMENT NO.						
			SIZE C		THIS DRAWING CONTAINS INFORMATION THAT IS PROPRIETARY TO MOLEX INCORPORATED AND SHOULD NOT BE USED WITHOUT WRITTEN PERMISSION						

CIRCUIT SIZE	ITEM NUMBER 74095	DIM E	PLATING SEE NOTE 6	MATING END PLATING	PC BOARD END PLATING
				TYPE	TYPE
4	-0004	7.49 .295	TIN	TIN	TIN
4	-0034	7.49 .295	15 GOLD	GOLD	TIN/LEAD
4	-0064	7.49 .295	30 GOLD	GOLD	TIN/LEAD
16,20,25	-0016,-0020 -0025	7.49 .295	TIN	TIN	TIN
16,20,25	-0046,-0050 -0055	7.49 .295	15 GOLD	GOLD	TIN/LEAD
16,20,25	-0076,-0080 -0085	7.49 .295	30 GOLD	GOLD	TIN/LEAD

CIRCUIT SIZE	ASSEMBLY ITEM NUMBER	ASSEMBLY ITEM NUMBER	ASSEMBLY ITEM NUMBER	ASSEMBLY ITEM NUMBER	ASSEMBLY ITEM NUMBER	ASSEMBLY ITEM NUMBER
3						
4	74095-0004	74095-0034	74095-0064			
5						
6						
7						
8						
9						
10						
11						
12						
13						
14						
15						
16	74095-0016	74095-0046	74095-0076			
17						
18						
19						
20	74095-0020	74095-0050	74095-0080			
21						
22						
23						
24						
25	74095-0025	74095-0055	74095-0085			

ADD 4, 16 & 20 CKT EC NO: UCP2010-1046 DRWINHISIBARRA 2009/10/21 CHKDJMORGAN 2009/12/01 APPR:SMILLER 2009/12/01	DESCRIPTION REV B	QUALITY SYMBOLS ▽=0 ▽=0 ▽=0	GENERAL TOLERANCES (UNLESS SPECIFIED)		DIMENSION STYLE	SCALE	DESIGN UNITS	THIRD ANGLE PROJECTION MOLEX INCORPORATED SD-74095-001 SHEET NO. 2 OF 2
					MM/IN	1:1	INCH	
					DRAWN BY DATE	TITLE		
					CHECKED BY DATE			
			4 PLACES ± --- ± ---	MIBARRA 2008/07/18	SALES ASSY, SL VERTICAL HEADER W/COMPLIANT PIN NO PEGS			
			3 PLACES ± --- ± .005	DMORGAN 2008/07/18				
			2 PLACES ± 0.13 ± .010	APPROVED BY DATE				
			1 PLACE ± 0.25 ± ---	SMILLER 2007/08/18				
			ANGULAR ±1/2°	MATERIAL NO.				
			DRAFT WHERE APPLICABLE MUST REMAIN WITHIN DIMENSIONS	SEE TABLE				
				SIZE C	THIS DRAWING CONTAINS INFORMATION THAT IS PROPRIETARY TO MOLEX INCORPORATED AND SHOULD NOT BE USED WITHOUT WRITTEN PERMISSION			