

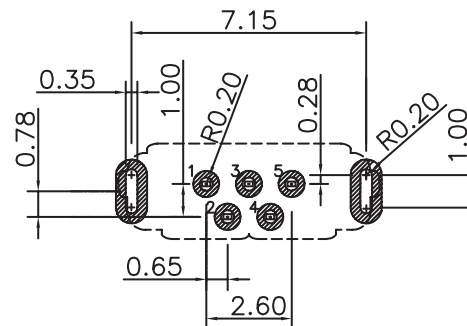
1

2

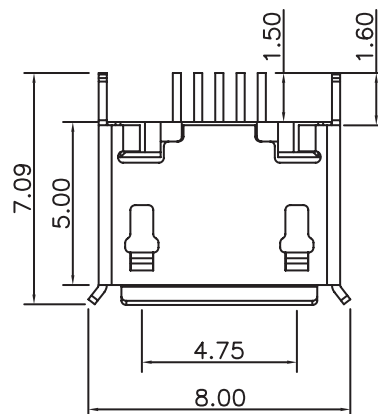
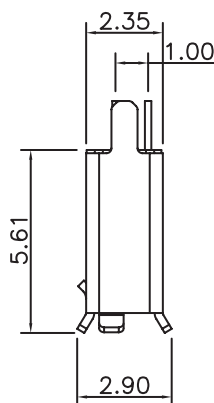
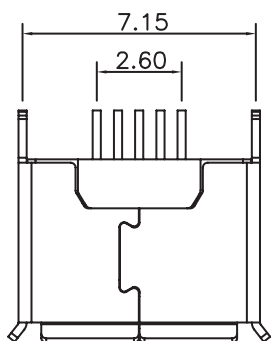
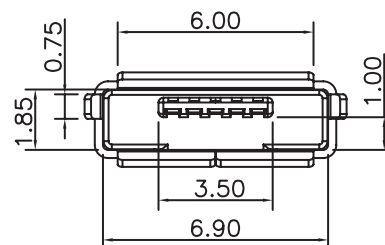
3

4

5



RECOMMENDED PCB LAYOUT  
RECOMMENDED PCB THICKNESS : 1.0 mm



#### TECHNICAL CHARACTERISTICS

MATERIAL  
INSULATOR: LCP  
FLAMMABILITY RATING: UL94-V0  
COLOR: BLACK  
CONTACT MATERIAL: COPPER ALLOY  
CONTACT TYPE: STAMPED  
CONTACT PLATING: GOLD  
SHIELDING: STAINLESS STEEL MATT TIN PLATED  
QUALITY CLASS: 10000 MATING CYCLES

ENVIRONMENTAL  
OPERATING TEMPERATURE: -40°C UP TO +85°C  
COMPLIANCE: LEAD FREE AND ROHS

ELECTRICAL  
CURRENT RATING: 1.8A PIN1 & PIN 5  
1.0A OTHER PINS  
WORKING VOLTAGE: 30 VAC  
INSULATION RESISTANCE: >1000 MΩ  
WITHSTANDING VOLTAGE: 100 VAC/MIN  
CONTACT RESISTANCE: 30 mΩ MAX

STANDARD  
UL CERTIFIED: E323964

SOLDERING  
JEDEC LEAD FREE WAVE SOLDERING

PACKAGING  
TAPE & REEL

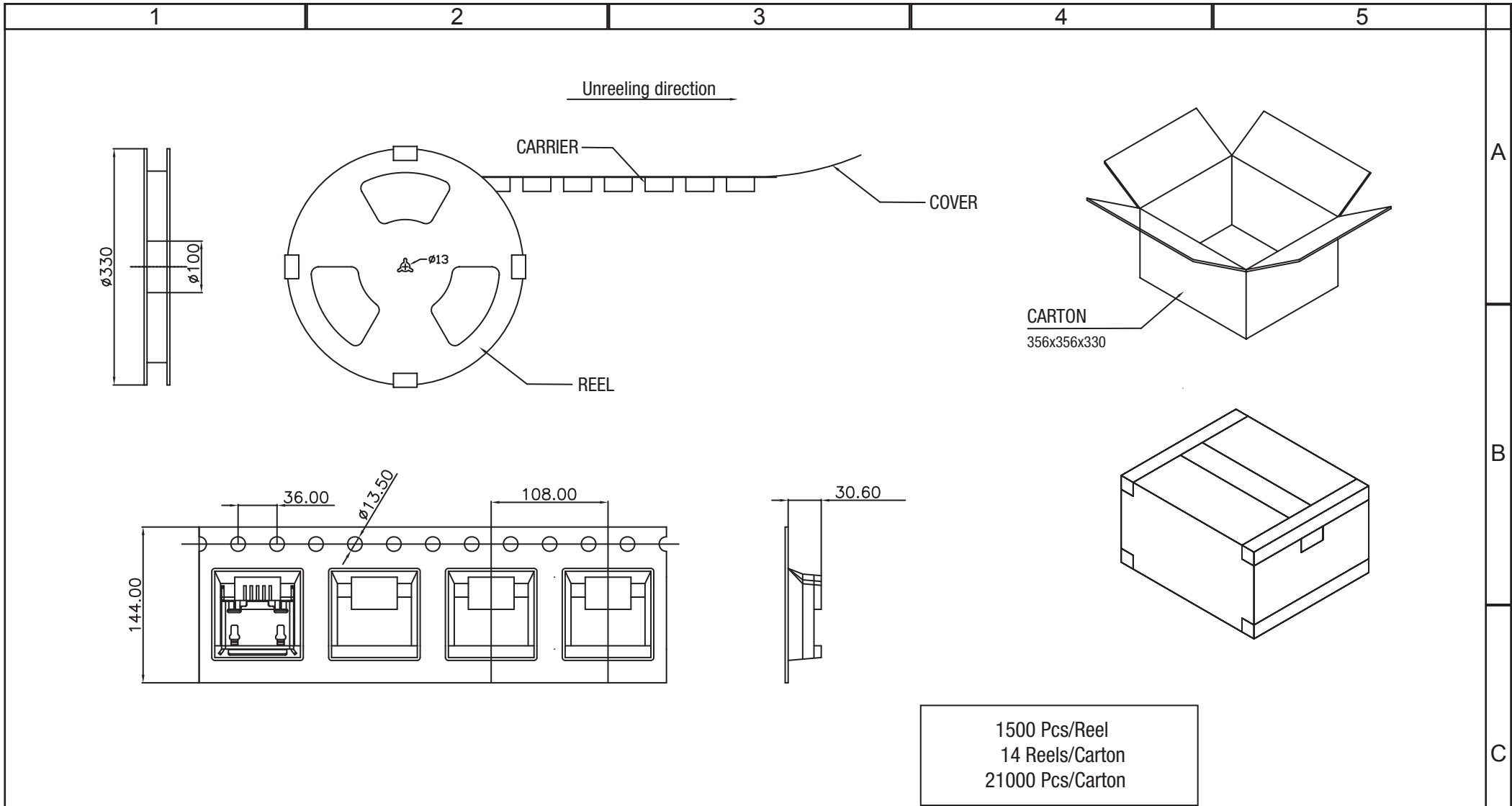
NOTE: TAPE & REEL NOT FOR PICK & PLACE MACHINE

RoHS Compliant

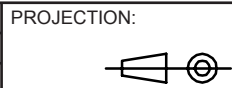
G				PROJECTION: 	GENERAL TOLERANCE .X = +/- 0.3 .XX = +/- 0.20	
F						
E						
D	24-NOV-15	UL CERTIFICATION	AK			
C	09-AVR-15	PCB THICKNESS	QP	APPROVAL: NPr	UNIT: MM	DESCRIPTION: MICRO USB 2.0 TYPE AB - VERTICAL - THT
B	27-OCT-14	REVIEW	QL		SCALE:	WERI PART NO: 614 105 150 621
A	22-JUL-14	PDF	AS		SHEET: 1/3	
REV	DATE	FILE	BY		DRAW: AS	

SIZE

**A4**



RoHS Compliant			
G			
F			
E			
D			
C			
B			
A	23-JUL-14	PDF	AS
REV	DATE	FILE	BY



APPROVAL: NPr

GENERAL TOLERANCE

.X = +/- 0.2

.XX = +/- 0.15

UNIT: MM

SCALE:

SHEET: 2/3

DRAW: AS



DESCRIPTION: MICRO USB 2.0 TYPE AB - VERTICAL - THT

WERI PART NO: 614 105 150 621

SIZE

**A4**

1

2

3

4

5

## Cautions and Warnings:

This electronic component is designed and developed with the intention for use in general electronics equipments.

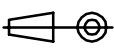

Before incorporating the components into any equipments in the field such as aerospace, aviation, nuclear control, submarine, transportation, (automotive control, train control, ship control), transportation signal, disaster prevention, medical, public information network etc. where higher safety and reliability are especially required or if there is possibility of direct damage or injury to human body, Würth Elektronik must be asked for a written approval.

In addition, even electronic component in general electronic equipments, when used in electrical circuits that require high safety, reliability functions or performance, the sufficient reliability evaluation-check for the safety must be performed before by the user before usage.

A

B

C

RoHS Compliant				PROJECTION: 	GENERAL TOLERANCE .X = +/- 0.2 .XX = +/- 0.15	 <b>WÜRTH ELEKTRONIK</b>	DESCRIPTION: DISCLAIMER	SIZE <b>A4</b>
G								
F								
E								
D				APPROVAL: JC	UNIT: MM	WERI PART NO: DISCLAIMER	SIZE <b>A4</b>	
C					SCALE:			
B					SHEET: 3/3			
A	10-SEP-14	PDF	QL		DRAW: QL			
REV	DATE	FILE	BY					

D