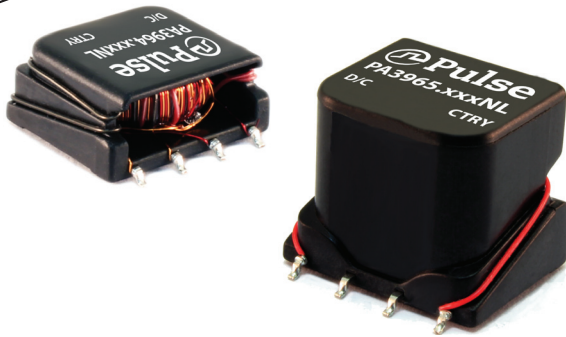


# High Isolation Power Transformers

PA3964.XXXNL and PA3965.XXXNL - SMT



- Ⓢ **Power Range:** up to 10W
- Ⓢ **Height:** 7.0mm to 14.0mm Max
- Ⓢ **Footprint:** 18.0mm x 15.6mm Max
- Ⓢ **Topology:** Forward, Flyback and Push-pull
- Ⓢ **Isolation:** Reinforced, 5.0kVrms, 12mm creepage and clearance distance
- Ⓢ **Patent Pending:**

## Electrical Specifications @ 25°C - Operating Temperature -40°C to +130°C

PA3964.001NL	Pri. Inductance	(1-2)	15.6mH ± 15%	
	Lk. Inductance	(1-2) with (3, 4, 5, 8) shorted	1.4µH MAX	
	DCR	(1-2)	1000mΩ MAX	
		(3-4)	570mΩ MAX	
		(5-8)	450mΩ MAX	
Hi-Pot	Pri-Sec	5000Vrms	ACTIVE CLAMP FORWARD TRANSFORMER	
PA3964.002NL	Pri. Inductance	(3-4)	0.51mH ± 15%	
	Lk. Inductance	(5-8) with (6,7) and (1,2,3,4) shorted	1.4µH MAX	
	DCR	(5-6)=(7-8)	115mΩ MAX	
		(1-2)=(3-4)	162mΩ MAX	
Hi-Pot	Pri-Sec	5000Vrms	PUSH-PULL TRANSFORMER	
PA3965.001NL	Pri. Inductance	(1-2)	680µH ± 15%	
	Lk. Inductance	(1-2) with (3,4,5,8) shorted	15µH MAX	
	DCR	(1-2)	1870mΩ MAX	
		(3-4)	290mΩ MAX	
		(5-8)	90mΩ MAX	
Hi-Pot	Pri-Sec	5000Vrms	DCM FLYBACK TRANSFORMER	
PA3965.002NL	Pri. Inductance	(1-2)	680µH ± 15%	
	Lk. Inductance	(1-2) with (3,4,5,8) shorted	15µH MAX	
	DCR	(1-2)	1870mΩ MAX	
		(3-4)	290mΩ MAX	
		(5-8)	250mΩ MAX	
Hi-Pot	Pri-Sec	5000Vrms	DCM FLYBACK TRANSFORMER	

USA 858 674 8100

Germany 49 7032 7806 0

Singapore 65 6287 8998

Shanghai 86 21 62787060

China 86 755 33966678

Taiwan 886 3 4356768

# High Isolation Power Transformers

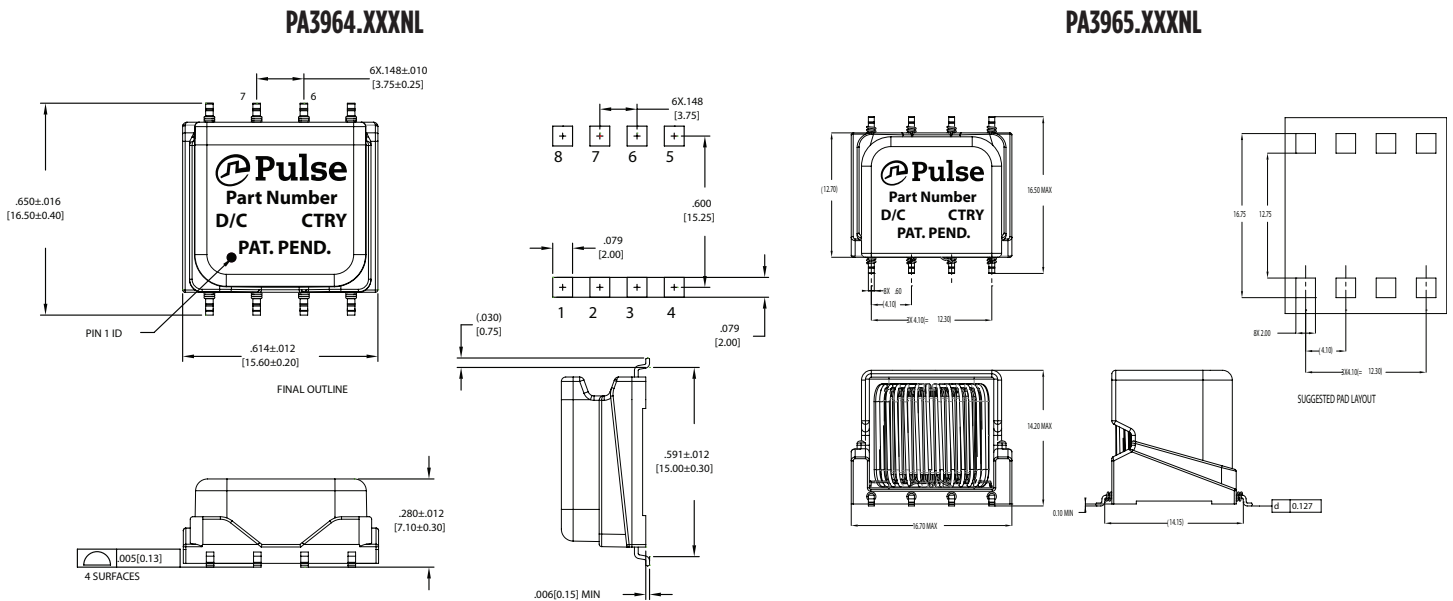
PA3964.XXXNL and PA3965.XXXNL - SMT

## Notes:

1. The temperature of the component (ambient plus temperature rise) must be within the stated operating temperature range.
2. Optional Tape & Reel packaging can be ordered by adding a "T" suffix to the part number (i.e. PA3964.001NL becomes PA3964.001NLT). Pulse complies with industry standard tape and reel specification EIA481. The tape and reel for this product has a width (W=32mm), pitch (Po=24mm) and depth (Ko) is equal to 8.0 for PA3964.XXXNLT and 14.5 for PA3965.XXXNLT. PA3964.XXXNLT has 300pcs per reel. PA3965.XXXNLT has 150pcs per reel.
3. US Patent application number: 13/291, 545

## Mechanicals

### PA3964.XXXNL and PA3965.XXXNL



## For More Information

**Pulse Worldwide Headquarters**  
12220 World Trade Drive  
San Diego, CA  
92128  
U.S.A.

Tel: 858 674 8100  
Fax: 858 674 8262

**Pulse Europe**  
Einsteinstrasse 1  
D-71083 Herrenberg  
Germany

Tel: 49 7032 78060  
Fax: 49 7032 7806 135

**Pulse China Headquarters**  
B402, Shenzhen Academy of  
Aerospace Technology Bldg.  
10th Kejinan Road  
High-Tech Zone  
Nanshan District  
Shenzhen, PR China  
518057  
Tel: 86 755 33966678  
Fax: 86 755 33966700

**Pulse North China**  
Room 2704/2705  
Super Ocean Finance  
Ctr.  
2067 Yan An Road  
West  
Shanghai 200336  
China  
Tel: 86 21 62787060  
Fax: 86 2162786973

**Pulse South Asia**  
135 Joo Seng Road  
#03-02  
PM Industrial Bldg.  
Singapore 368363

Tel: 65 6287 8998  
Fax: 65 6287 8998

**Pulse North Asia**  
3F, No. 198  
Zhongyuan Road  
Zhongli City  
Taoyuan County 320  
Taiwan R. O. C.  
Tel: 886 3 4356768  
Fax: 886 3 4356823 (Pulse)  
Fax: 886 3 4356820 (FRE)

Performance warranty of products offered on this data sheet is limited to the parameters specified. Data is subject to change without notice. Other brand and product names mentioned herein may be trademarks or registered trademarks of their respective owners. © Copyright, 2015. Pulse Electronics, Inc. All rights reserved.