

PLEASE CHECK WWW.MOLEX.COM FOR LATEST PART INFORMATION

Part Number: **5031054010**
Status: **Active**
Overview: [slimstack_mm016_pitch](#)
Description: 0.40mm (.016") Pitch SlimStack™ Board-to-Board Receptacle, SMT, Dual Row, Vertical, 1.50mm (.059") Stacking Height, Without Solder Tabs, 40 Circuits

Documents:

[3D Model](#) [Product Specification PS-503105-001 \(PDF\)](#)
[Drawing \(PDF\)](#) [RoHS Certificate of Compliance \(PDF\)](#)

General

Product Family	PCB Receptacles
Series	503105
Application	Board-to-Board
Overview	slimstack_mm016_pitch
Product Name	SlimStack™

Physical

Circuits (Loaded)	40
Color - Resin	Black
Durability (mating cycles max)	30
Glow-Wire Compliant	No
Mated Height (in)	0.059 In
Mated Height (mm)	1.50 mm
Material - Metal	Phosphor Bronze
Material - Plating Mating	Gold
Material - Plating Termination	Gold
Number of Rows	2
Orientation	Vertical
PCB Locator	No
PCB Retention	None
Packaging Type	Embossed Tape on Reel
Pitch - Mating Interface (in)	0.016 In
Pitch - Mating Interface (mm)	0.40 mm
Polarized to Mating Part	No
Polarized to PCB	No
Stackable	No
Temperature Range - Operating	-30°C to +75°C
Termination Interface: Style	Surface Mount

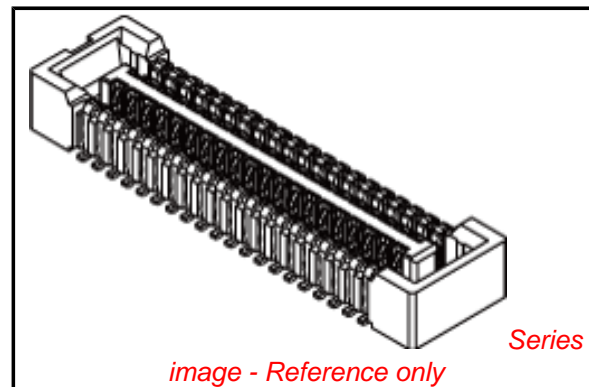
Electrical

Current - Maximum per Contact	0.3A
Voltage - Maximum	50V AC (RMS)/DC

Material Info

Reference - Drawing Numbers

Packaging Specification	SPK-503105-001
Product Specification	PS-503105-001, RPS-503105-003
Sales Drawing	SD-503105-001, SD-503105-002



EU RoHS

ELV and RoHS Compliant
REACH SVHC
Contains SVHC: No
Halogen-Free
Status

China RoHS



Not Reviewed

Need more information on product environmental compliance?

Email productcompliance@molex.com
 For a multiple part number RoHS Certificate of Compliance, [click here](#)

Please visit the [Contact Us](#) section for any non-product compliance questions.

Search Parts in this Series

[503105Series](#)

Mates With

[503108 PCB Header](#)

注記 NOTES

1. 使用材料 MATERIAL

ハウジング: 液晶ポリマー (LCP) ガラス充填 UL94V-0 (黒)
 HOUSING: LIQUID CRYSTAL POLYMER (GLASS FILLED) UL94V-0 (COLOR: BLACK)
 ターミナル: りん青銅 (t=0.1)
 TERMINAL : PHOSPHOR BRONZE (t=0.1)

2. メッキ仕様 PLATING

ターミナル TERMINAL

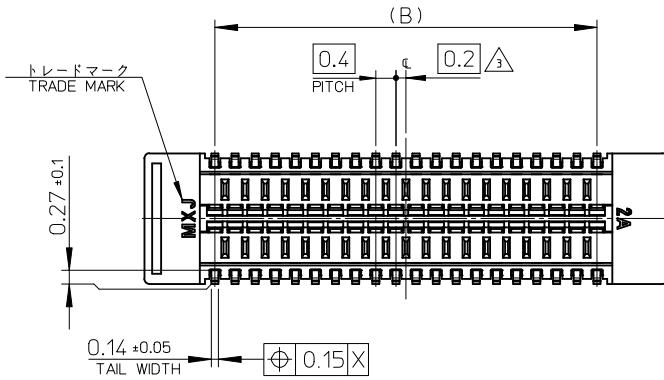
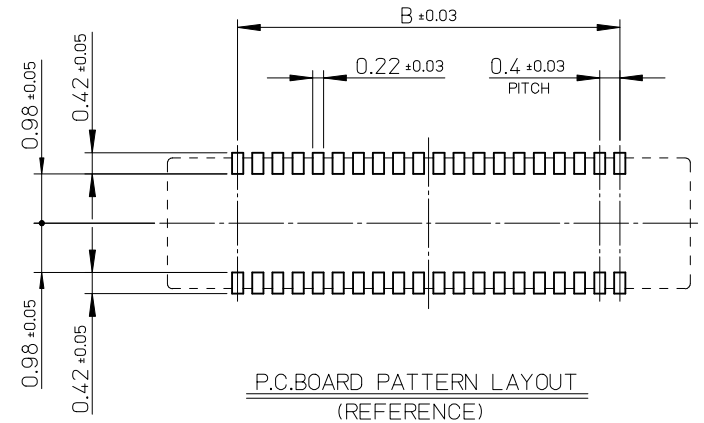
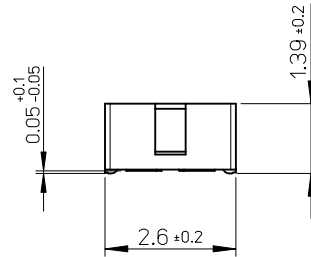
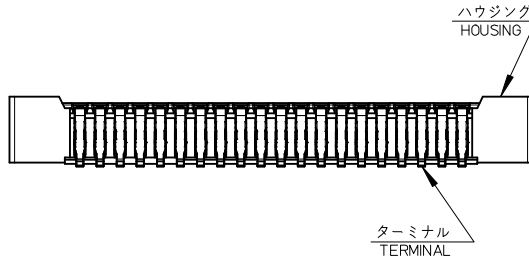
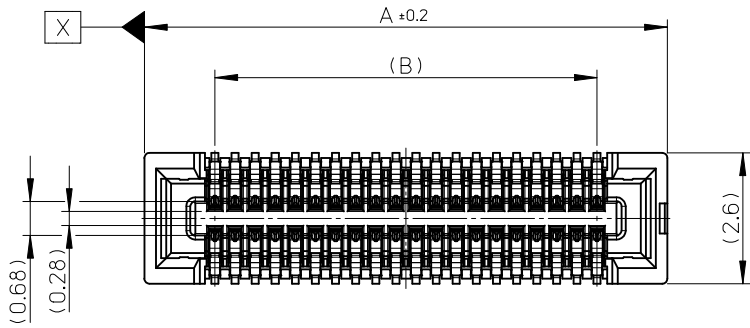
金メッキ 0.1 マイクロメートル以上 (コンタクト部)
 GOLD 0.1 MICROMETER MINIMUM (CONTACT AREA)
 金メッキ 0.05 マイクロメートル以上 (テール部)
 GOLD 0.05 MICROMETER MINIMUM (TAIL AREA)
 下地メッキ: ニッケルメッキ 1.0 マイクロメートル以上
 UNDER PLATING : NICKEL 1.0 MICROMETER MINIMUM

※コンタクト部とテール部はニッケルメッキによって分断されている金メッキです。
 DIVIDE INTO PARTS THE GOLD PLATING OF THE CONTACT AND THE TAIL PART BY THE NICKEL PLATING.

※封孔処理品
 SEALING TREATMENT

△ (全極数 / 2) = 偶数の場合に適用。
 APPLY FOR (CIRCUIT / 2) = EVEN.

4. 嵌合相手: 503108 シリーズ
MATE WITH : 503108 SERIES.
5. テール平坦度は、0.1 以下
TAIL COPLANARITY TO BE 0.1 MAXIMUM.
6. ELV 及び RoHS 適合品
ELV AND RoHS COMPLIANT.

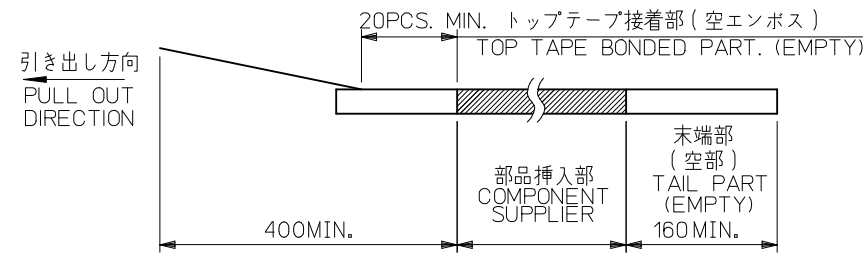
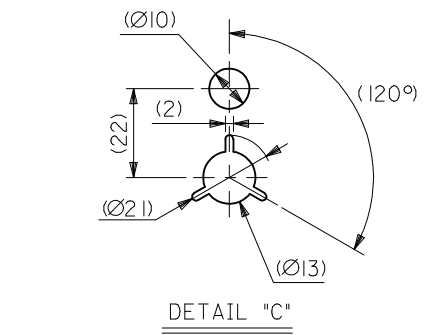
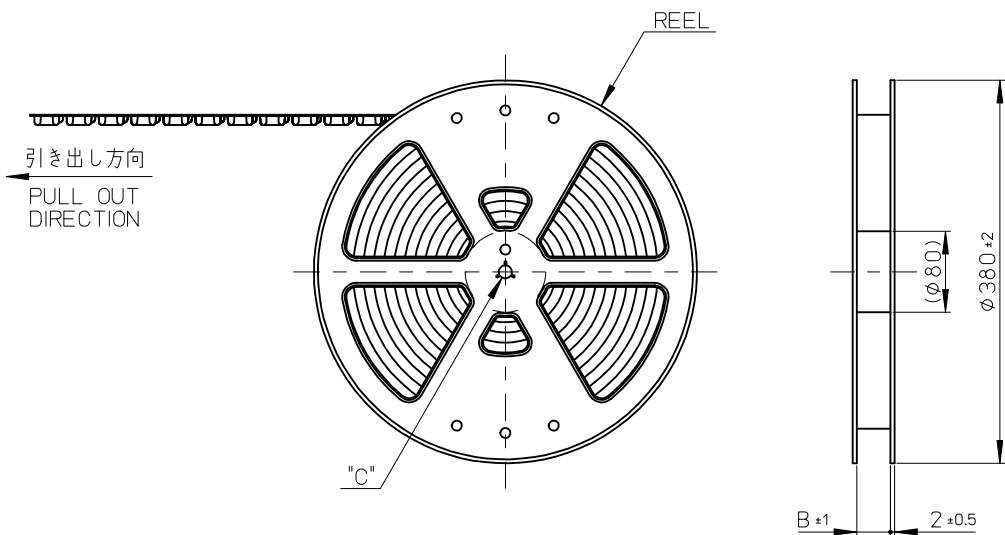


9.6	12.4	503105-5010	50
8.4	11.2	503105-4410	44
7.6	10.4	503105-4010	40
B	A	EMBOSSED TAPE	CKT.
		ORDER No. オーダー番号	
		CONNECTOR SERIES No. : 503105-***19	

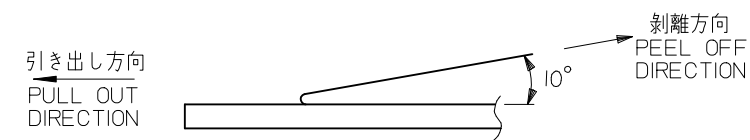
REVISED EC NO: J2010-0621 DRWN: TANI GUCHI 01 2009/09/25 CHKD: THIRATA 2009/09/25 APPR: MSASAO 2009/09/25	DESCRIPTION	GENERAL TOLERANCES (UNLESS SPECIFIED)		DIMENSION STYLE MM ONLY		SCALE 10:1	DESIGN UNITS METRIC	THIRD ANGLE PROJECTION	
		10 UNDER	± ---	DRAWN BY RTAKEUCHI	DATE 2008/07/02	TITLE 0.4 B-TO-B CONN. HGT=1.5 W=2.6 W/O NAIL REC ASSY			
		10 OVER 30 UNDER	± ---	CHECKED BY MSASAO	DATE 2008/07/02	MOLEX INCORPORATED			
		30 OVER	± ---	APPROVED BY MSASAO	DATE 2008/07/02	DOCUMENT NO. SD-503105-001			
		ANGULAR ± --- °		MATERIAL NO. SEE CHART				SHEET NO. 1 OF 1	
		DRAFT WHERE APPLICABLE MUST REMAIN WITHIN DIMENSIONS		THIS DRAWING CONTAINS INFORMATION THAT IS PROPRIETARY TO MOLEX INCORPORATED AND SHOULD NOT BE USED WITHOUT WRITTEN PERMISSION					

注記 NOTES

- 製品詳細寸法については製品単体図面を参照下さい。
RE DETAILED DIMENSION, SEE PRODUCT DRAWING.
- 梱包数量：3000 個/リール
NUMBER OF CONNECTORS : 3000PCS/REEL
- リードテープ長さ LEAD TAPE LENGTH

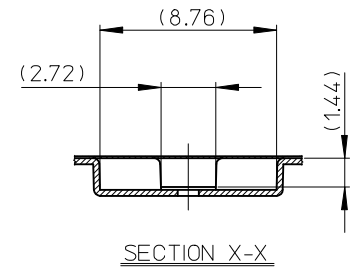
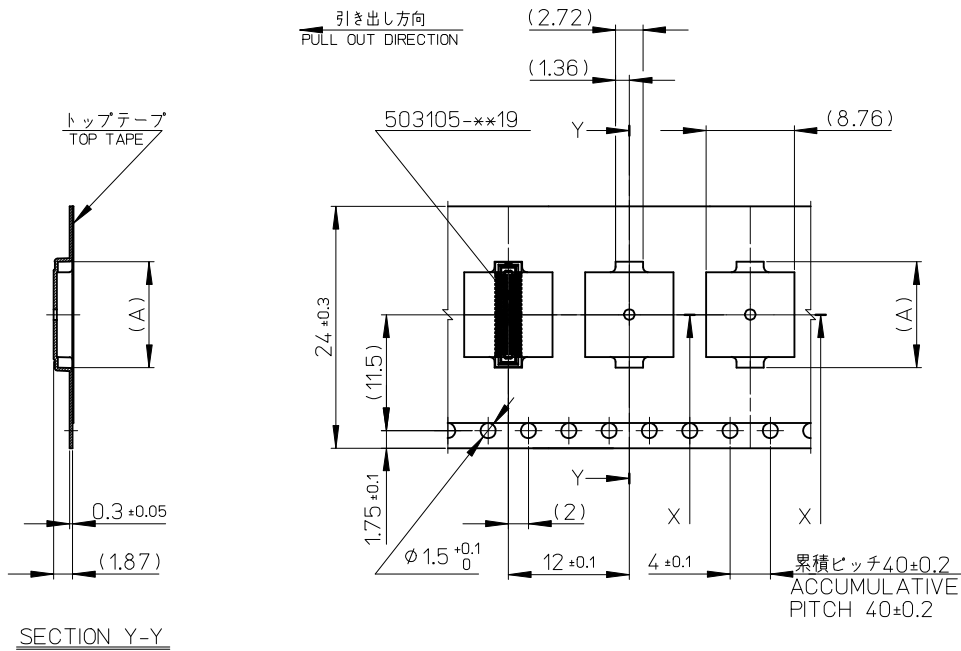


- トップテープの剥離強度：0.1N~1.3N(10gf~130gf)
(剥離方向は下図参照)
尚、本規格値は出荷時に適用。(但し、輸送時に剥離が発生しないこと。)
PEELING OFF FORCE OF TOP TAPE : 0.1N~1.3N(10gf~130gf)
(PEELING DIRECTION AS SHOWN IN FOLLOWING FIG.)
THIS REQUIREMENT SHOULD BE APPLIED AT SHIPMENT.
PEEL OFF SHOULD NOT BE ALLOWED , DURING TRANSPORTION.



- 材料 MATERIAL
キャリアテープ (CARRIER TAPE) : ポリスチレン (POLYSTYRENE)
トップテープ (TOP TAPE) : PET , PE , PEF
リール (REEL) : ポリスチレン (PS) <リサイクル材を含む>
POLYSTYRENE (PS) <RECYCLE MATERIAL CONTAINED>
- ELV 及び RoHS適合品
ELV AND RoHS COMPLIANT

REVISED EC NO.: J2009-2865 DRWN: TANI GUCHI 012009/06/22 CHKD: THIRATA 2009/06/22 APPR: MSASAO 2009/06/22	GENERAL TOLERANCES (UNLESS SPECIFIED)		DIMENSION STYLE MM ONLY		SCALE ---	DESIGN UNITS METRIC	MODEL NO. 503105-**-10
	10 UNDER	±---	DRAWN BY RTAKEUCHI	DATE 2008/08/20	TITLE 0.4 B-TO-B CONN. HGT=1.5 REC ASSY EMBSTP PKG		
	10 OVER 30 UNDER	±---	CHECKED BY THIRATA	DATE 2008/08/20	MATERIAL NO. SEE CHART		
	30 OVER	±---	APPROVED BY MSASAO	DATE 2008/08/20	DOCUMENT NO. SD-503105-002		
REV	DESCRIPTION	ANGULAR	±---	DRAFT WHERE APPLICABLE MUST REMAIN WITHIN DIMENSIONS		SHEET NO. 1 OF 2	



24mm 幅キャリアテープ
24mm WIDTH CARRIER TAPE

24	25.5	12.52	503105-5010	50
		11.32	503105-4410	44
		10.52	503105-4010	40
キャリアテープ幅 CARRIER TAPE WIDTH	B	(A)	MATERIAL No.	CKT.
			MODEL No.	503105-**-10

REVISED EC NO.: J2009-2865 DRWN: TANIGUCHI 012009/06/22 CHKD: THIRATA 2009/06/22 APPR: MSASAO 2009/06/22	DESCRIPTION	GENERAL TOLERANCES (UNLESS SPECIFIED)		DIMENSION STYLE	SCALE	DESIGN UNITS	TITLE 0.4 B-TO-B CONN. HGT=1.5 REC ASSY EMBSTP PKG
		10 UNDER ±---		MM ONLY	---	METRIC	
		10 OVER 30 UNDER ±---		DRAWN BY	DATE	TITLE	
		30 OVER ±---		RTAKEUCHI	2008/08/20		
		ANGULAR ±---°		CHECKED BY	DATE		
DRAFT WHERE APPLICABLE MUST REMAIN WITHIN DIMENSIONS		THIRATA	2008/08/20				
		APPROVED BY	DATE	MOLEX INCORPORATED			
		MSASAO	2008/08/20	MATERIAL NO.		DOCUMENT NO.	SHEET NO.
		SEE CHART		SD-503105-002		2 OF 2	