

PLEASE CHECK WWW.MOLEX.COM FOR LATEST PART INFORMATION

Part Number: [0026232121](#)
Status: **Active**
Overview: [kk](#)
Description: 3.96mm (.156") Pitch KK® Wire-to-Board Header, Vertical Round Pin, 12 Circuits, Gold (Au) Plating, with Mating Pin Length of 11.43mm (.450")

Documents:

[3D Model](#) [Product Specification PS-99020-0087 \(PDF\)](#)
[Drawing \(PDF\)](#) [RoHS Certificate of Compliance \(PDF\)](#)

Agency Certification

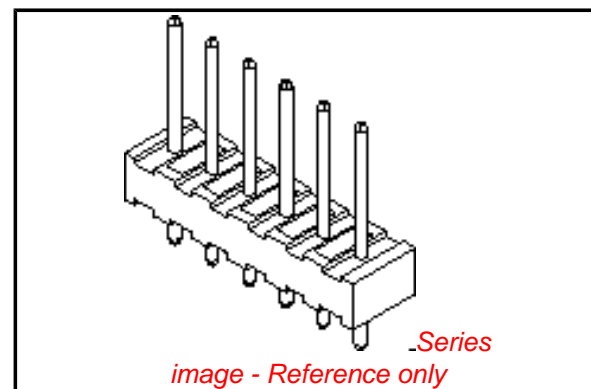
UL E29179

General

Product Family PCB Headers
 Series [3192](#)
 Application Board-to-Board, Wire-to-Board
 Overview [kk](#)
 Product Name KK®

Physical

Breakaway No
 Circuits (Loaded) 12
 Circuits (maximum) 12
 Color - Resin Natural
 First Mate / Last Break No
 Flammability 94V-2
 Glow-Wire Compliant No
 Guide to Mating Part No
 Keying to Mating Part None
 Lock to Mating Part None
 Material - Metal Brass
 Material - Plating Mating Gold
 Material - Plating Termination Gold
 Material - Resin Nylon
 Number of Rows 1
 Orientation Vertical
 PC Tail Length (in) 0.175 In
 PC Tail Length (mm) 4.45 mm
 PCB Locator No
 PCB Retention None
 PCB Thickness Recommended (in) 0.062 In
 PCB Thickness Recommended (mm) 1.60 mm
 Packaging Type Bag
 Pitch - Mating Interface (in) 0.156 In
 Pitch - Mating Interface (mm) 3.96 mm
 Plating min: Mating (µin) 20
 Plating min: Mating (µm) 0.5
 Plating min: Termination (µin) 20
 Plating min: Termination (µm) 0.5
 Polarized to Mating Part No
 Polarized to PCB No
 Shrouded No
 Stackable Yes
 Temperature Range - Operating 0°C to +75°C
 Termination Interface: Style Through Hole



EU RoHS

ELV and RoHS Compliant
REACH SVHC
 Not Reviewed
Halogen-Free Status
Not Reviewed

China RoHS



Need more information on product environmental compliance?

Email productcompliance@molex.com
 For a multiple part number RoHS Certificate of Compliance, [click here](#)

Please visit the [Contact Us](#) section for any non-product compliance questions.

Search Parts in this Series
[3192Series](#)

Electrical

Current - Maximum per Contact
Voltage - Maximum

7A
250V

Material Info

Old Part Number

AE-3192-12A(501)

Reference - Drawing Numbers

Product Specification
Sales Drawing

PS-99020-0087
SDAE-3192-NA(501)

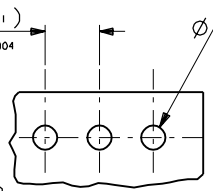
This document was generated on 05/26/2010

PLEASE CHECK WWW.MOLEX.COM FOR LATEST PART INFORMATION

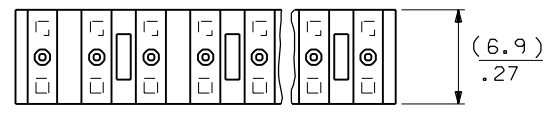
PART NO. SEE CHART
 DWG. NO. SDAE-3192-NA(501)

TYP. (3.96 ± 0.1)
 NON-ACCUM. $.156 \pm .004$

$\phi(1.78 \pm 0.09)$ TYP.
 $.070 \pm .002$

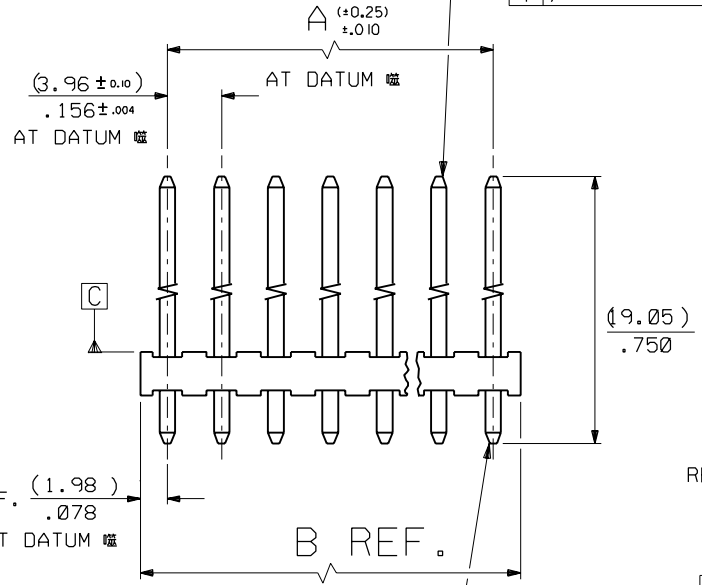


RECOMMENDED P.C.B.
 HOLE DIMENSIONS

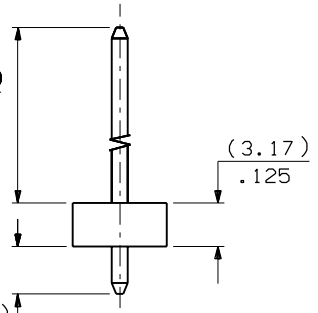


TIPS ONLY

$\phi(0.51) / .020$ C



REF. (4.45)
 $.175$



TIPS ONLY

$\phi(0.38) / .015$ C

| NO. OF CKTS | PART NO. | ENG. NO. | DIMN. A | DIMN. B |
|-------------|------------|------------------|-----------------|-----------------|
| 2 | 26-23-2021 | AE-3279- 2A(501) | (3.96) / .156 | (7.92) / .312 |
| 3 | -2031 | - 3A(501) | (7.92) / .312 | (11.89) / .468 |
| 4 | -2041 | - 4A(501) | (11.89) / .468 | (15.85) / .624 |
| 5 | -2051 | - 5A(501) | (15.85) / .624 | (19.81) / .780 |
| 6 | -2061 | - 6A(501) | (19.81) / .780 | (23.77) / .936 |
| 7 | -2071 | - 7A(501) | (23.77) / .936 | (27.74) / 1.094 |
| 8 | -2081 | - 8A(501) | (27.74) / 1.094 | (31.70) / 1.248 |
| 9 | -2091 | - 9A(501) | (31.70) / 1.248 | (35.66) / 1.404 |
| 10 | -2101 | - 10A(501) | (35.66) / 1.404 | (39.62) / 1.560 |
| 11 | -2111 | - 11A(501) | (39.62) / 1.560 | (43.59) / 1.716 |
| 12 | -2121 | - 12A(501) | (43.59) / 1.716 | (47.55) / 1.872 |
| 13 | -2131 | - 13A(501) | (47.55) / 1.872 | (51.51) / 2.028 |
| 14 | -2141 | - 14A(501) | (51.51) / 2.028 | (55.47) / 2.184 |
| 15 | -2151 | - 15A(501) | (55.47) / 2.184 | (59.44) / 2.340 |
| 16 | -2161 | - 16A(501) | (59.44) / 2.340 | (63.40) / 2.496 |
| 17 | -2171 | - 17A(501) | (63.40) / 2.496 | (67.36) / 2.652 |
| 18 | 26-23-2181 | AE-3279-18A(501) | (67.36) / 2.652 | (71.32) / 2.808 |

NOTES:

- MATERIAL
 WAFER - NYLON , 94V-2
 PIN - $\phi(1.14) / .045$ HARD DRAWN BRASS. FINISH
 $(0.0005) / .00002$ GOLD MIN. OVER
 $(0.00076) / .00003$ NICKEL MIN.
- PIN PUSH OUT FORCE (1.36KG) 3LBS MIN.
- PIN SOLDERABILITY PER MOLEX SPEC. NO. 152

| | |
|--|--|
| STANDARDIZATION EC NO. M. JACKO 2/11/00 DRWN: E2001-0472 CHK: APPR: | DESCRIPTION MAJOR $\blacktriangledown = 0$ CRITICAL $\nabla = 0$ |
|--|--|

| | |
|--|--|
| QUALITY SYMBOLS | GENERAL TOLERANCES: (UNLESS SPECIFIED) |
| | mm INCH |
| 4 PLACES | $\pm 0.$ $\pm .$ |
| 3 PLACES | $\pm 0.$ $\pm .010$ |
| 2 PLACES | ± 0.25 $\pm .015$ |
| 1 PLACE | ± 0.35 $\pm .$ |
| | ANGULAR: \pm \circ |
| DRAFT WHERE APPLICABLE MUST REMAIN WITHIN DIMENSIONS | |

| | |
|---------------------------------|---|
| SCALE 3:1 | DESIGN UNITS <input checked="" type="checkbox"/> mm <input type="checkbox"/> INCH |
| DRAWN BY & DATE NPC 13/11/86 | |
| CHECKED BY & DATE | |
| APPROVED BY & DATE | |
| CAD FILENAME SA3192NAG.DGN | |

| | | | |
|--|---------------------------|----------------------------------|-------------------|
| DIMENSIONS: <input checked="" type="checkbox"/> mm <input type="checkbox"/> INCH <input type="checkbox"/> mm ONLY | | SHT | REV |
| THIRD ANGLE PROJECTION | | | |
| TITLE: WAFER ASSY. KK, (3.96) / .156 CENTRES $\phi(1.14) / .045$ PINS | | | |
| MOLEX INCORPORATED | | | |
| CAD FILENAME SA3192NAG.DGN | MATERIAL NO. SEE CHART | DRAWING NO. SDAE-3192-NA(501) | SHEET NO. 10F1 |
| THIS DRAWING CONTAINS INFORMATION THAT IS PROPRIETARY TO MOLEX INCORPORATED AND SHOULD NOT BE USED WITHOUT WRITTEN PERMISSION. | | SIZE | B |