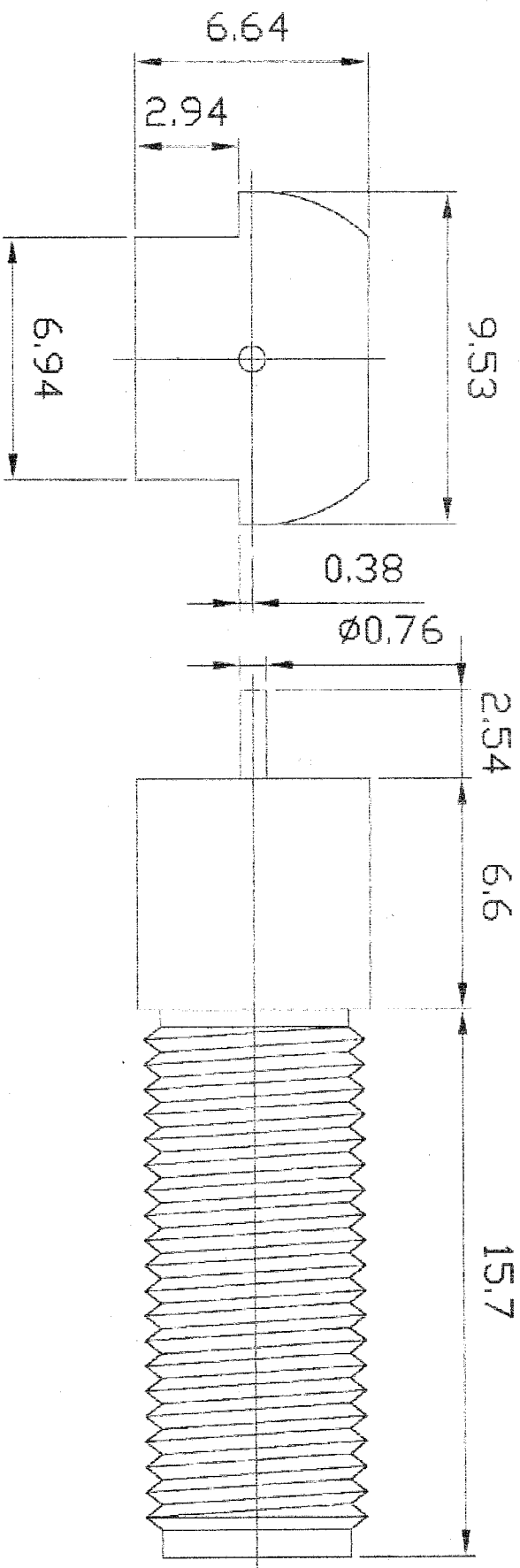


APPROVED: _____
 DATE: _____ TITLE: _____

Rev	AWO #	Description	Date	Appr
-	5217	RELEASED	7/14/05	SS



NO.	DESCRIPTION	MATERIAL	QTY	FINISH
3	PIN	BRASS	1	GOLD
2	INSULATOR	TEFLON	1	NONE
1	BODY	BRASS	1	GOLD

UNLESS OTHERWISE SPECIFIED
 ALL DIMENSIONS ARE MM [INCHES]
 TOLERANCES: EXCEPT AS NOTED

INCHES: .X ±.10 Ø.X ±.10
 .XX ±.020 Ø.XXX ±.015
 .XXX ±.015 Ø.XXX ±.010

HOLDS: ±.10
 HOLES: ±.010

ADAM TECH
 909 Rahway Avenue, Union, NJ 07083
 Phone: 908-687-5000 Fax: 908-687-0214

TITLE: SMA JACK, END LAUNCH, SMT, 50 OHMS

DRAWN	SS	7/14/05	SIZE	PART NO.	REV.
CHECKED			X	RF2-27-1-00-50	
APPROVED			REF:	SCALE: NTS	SHEET 1 OF 1

6 5 4 3 2 1