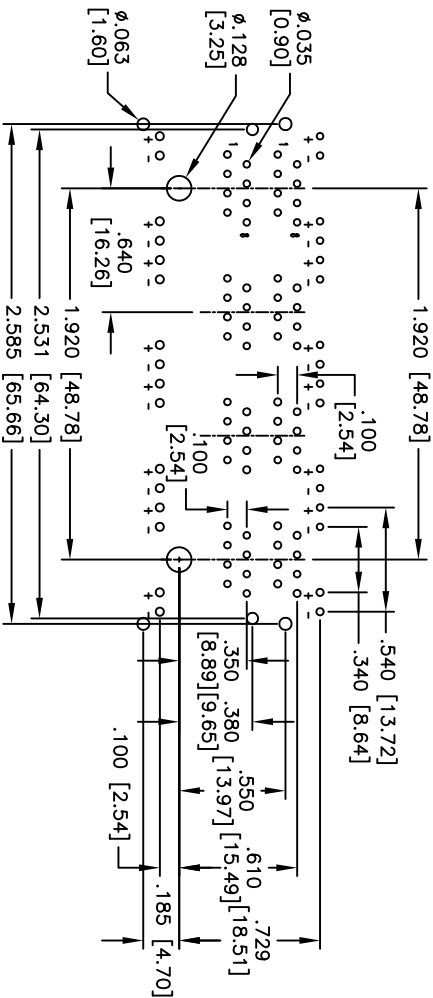
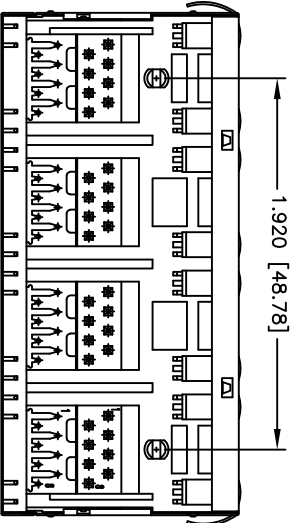
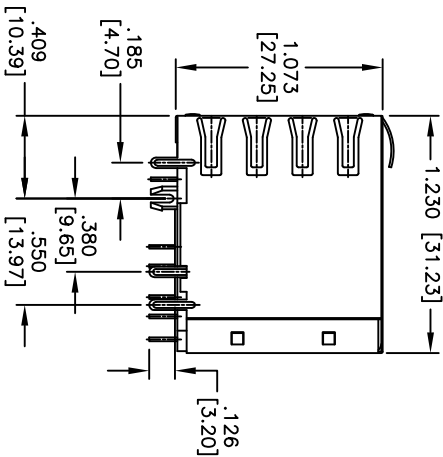
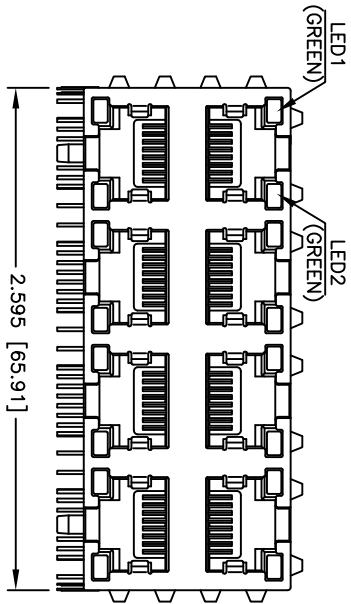


Rev	AWO #	Description	Date	Appr
-		RELEASED	12/08/10	

APPROVED: _____
 DATE: _____ TITLE: _____



RECOMMENDED PCB LAYOUT

SPECIFICATIONS:

- Material: Insulator: PBT, rated UL 94V-0
- Insulator color: Black
- Contacts: Phosphor Bronze
- Shield: Copper Alloy, Nickel plated
- Plating: Gold over Nickel underplate on contact area, Tin over Copper underplate on PCB tails.
- (See chart for thickness)

Electrical:

- Operating voltage: 125 VAC max
- Current rating: 1.5 Amps max
- Contact resistance: 30 mohms
- Insulation resistance: 1000 Mohms min @ 500 VDC
- Dielectric strength: 1000 VAC for 1 minute
- Temperature Rating: Operating temperature: -40°C to +85°C

- Environmental: Lead free, RoHS compliant.
- Recommended soldering temp: 235°C for 5 sec.

"X"	PLATING
0	15 uin Gold
1	30 uin Gold
2	50 uin Gold

UNLESS OTHERWISE SPECIFIED
 ALL DIMENSIONS ARE MM [INCHES]
 TOLERANCES: EXCEPT AS NOTED
 INCHES

X	± .10	ØXX	± .10
.XX	± .020	ØXXX	± .015
.XXX	± .015	ØXXXX	± .010

ADAM TECH
 909 Rehway Avenue, Union, NJ 07083
 Phone: 908-687-5000 Fax: 908-687-0214

**MODULAR JACK GANGED, 8 PORT, 8P8C
 W/ LED1 GREEN, LED2 GREEN**

APPROVALS	DATE
DRAWN	DY
CHECKED	
APPROVED	

SIZE	PART NO.	REV.
X	MTJG-8-88JX1-FS-PG-LD-SPB	-

REF: S00167T SCALE: NTS SHEET 1 OF 1

6

5

4

3

2

1