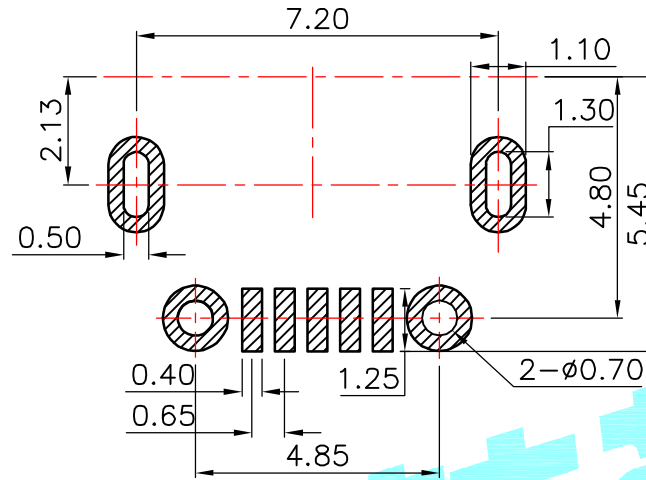
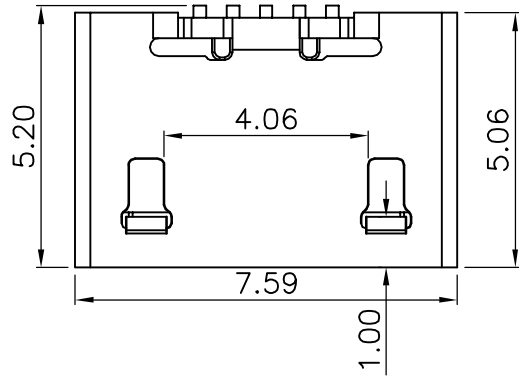
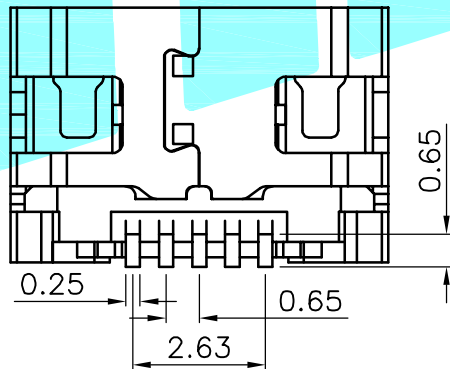
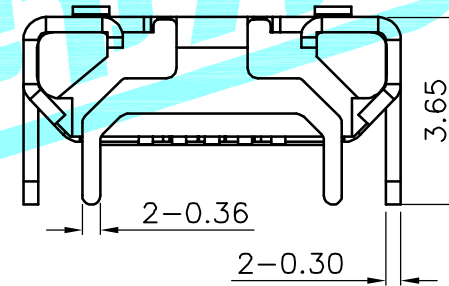
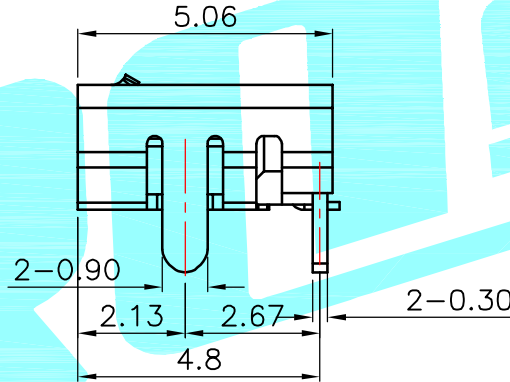
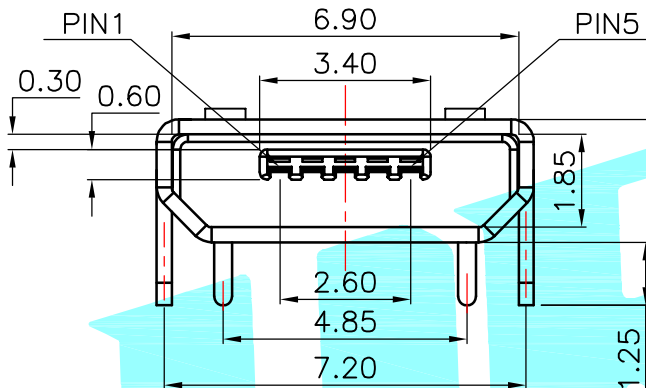


ROHS



Recommended PCB Layout



SPECIFICATIONS

- 1.RATING: DC30V 1.0A
- 2.MECHANICAL LIFE: 10,000 CYCLES.

③	Shell	—	1	Phosphor Bronze	Ag Plated	—
②	Contact	—	5	Phosphor Bronze	Ag Plated	—
①	Housing	—	1	LCP	Black	—
ITEM	PART NAME	TER'NO.	QTY.	MATERIAL	FINISHING	REMARK

APPROVALS			DATE		 ELECTRONICS CO.,LTD		
DRAWN	JKUN.LU	2015/3/29		TITLE:			USB CONNECTOR
CHECKED				PART NO.			U-F-M5DD-W-L1
APPROVALS					UNIT: mm	SCALE: 1:1	
TOLERANCES ARE			30~以下	±0.30	ANGLE	PROJ:	
			10~30	±0.25	±2'	DRAWING NO.	
			5~10	±0.20		SHEET 1 OF 1	
			~ 5	±0.15			

—	A	—	NEW	—	—	—
ECN NO.	REV.	DATE.	DESCRIPTION.	CHANGE.	CHECK.	APPRO.