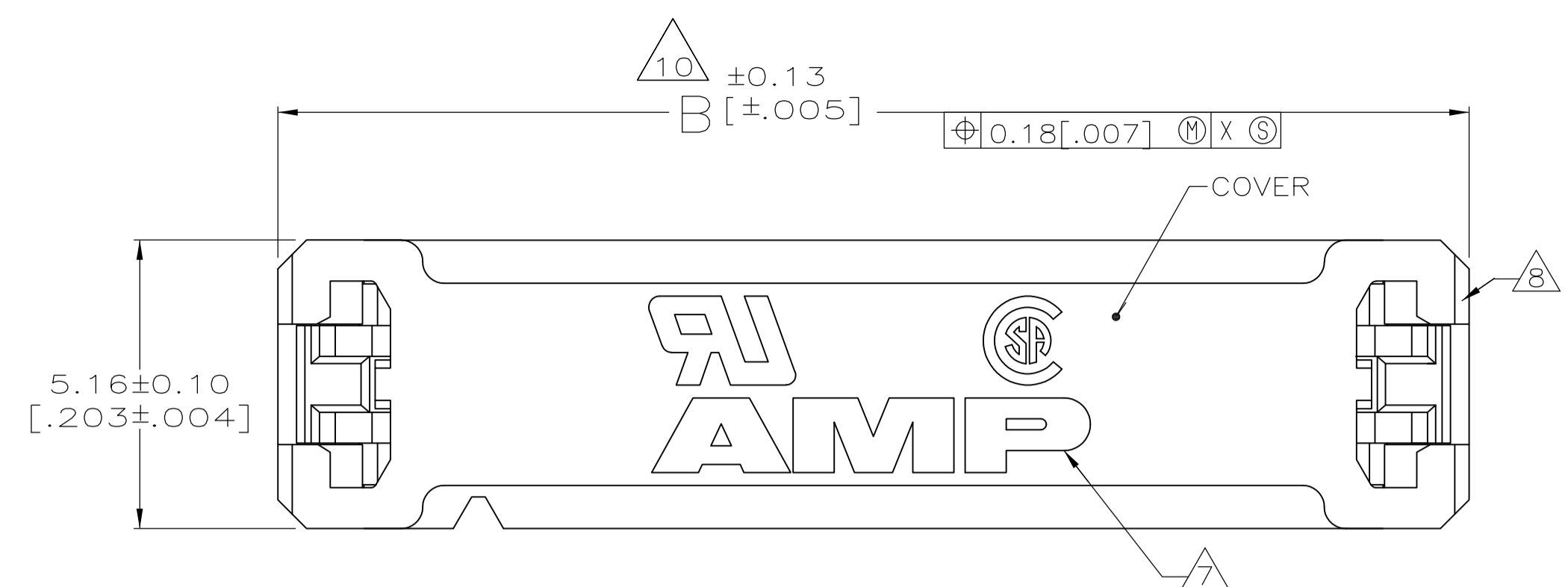
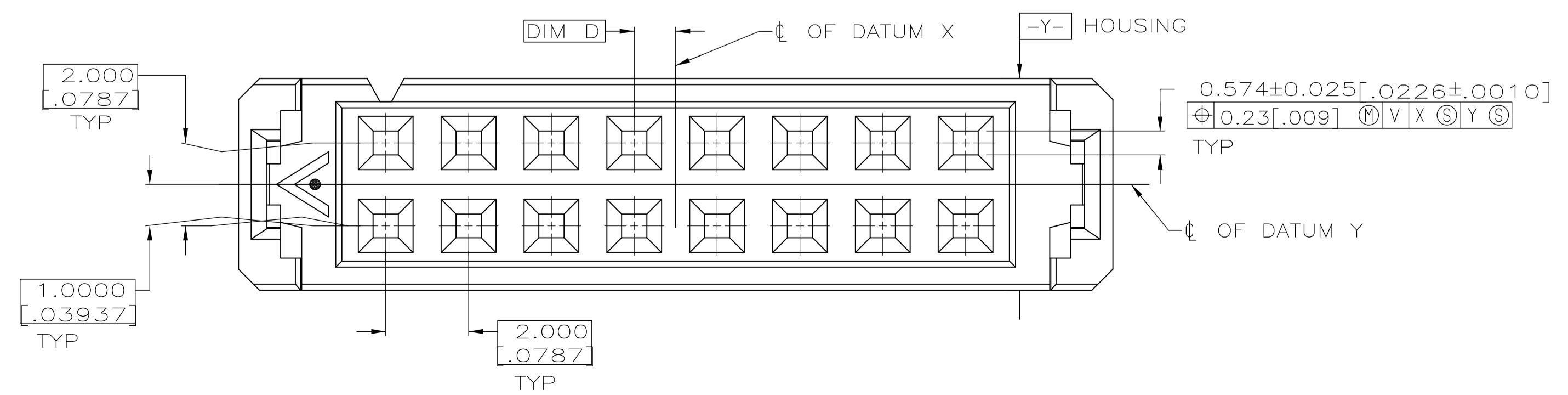
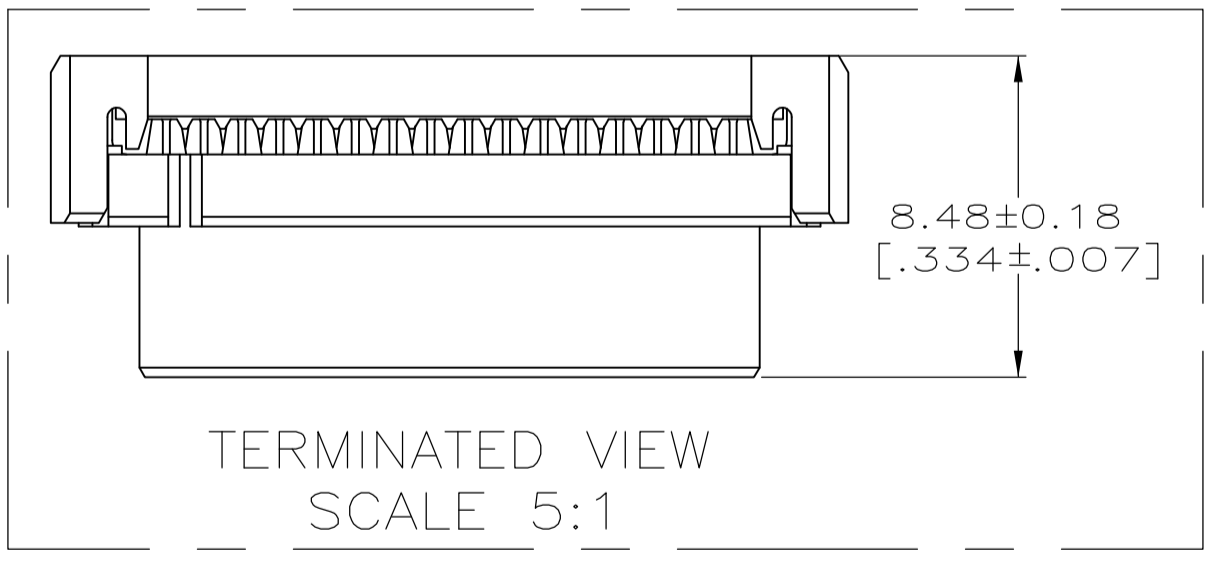
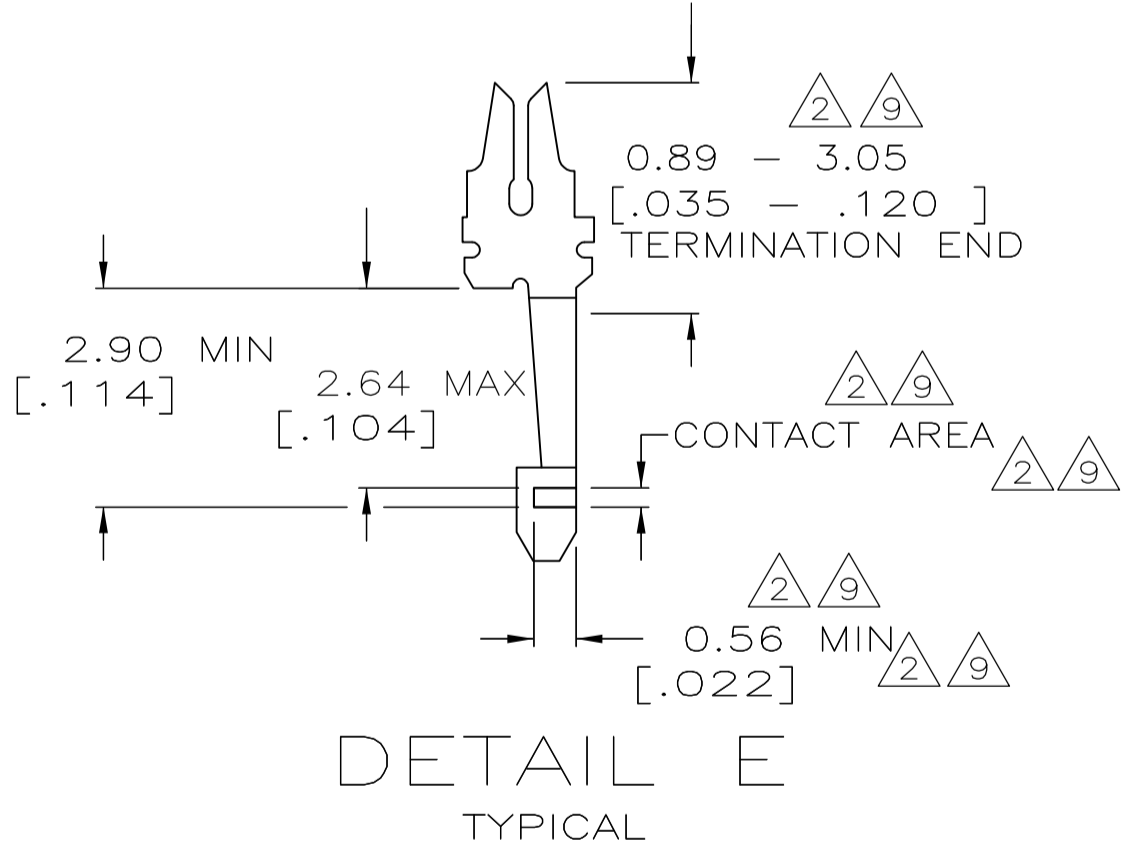
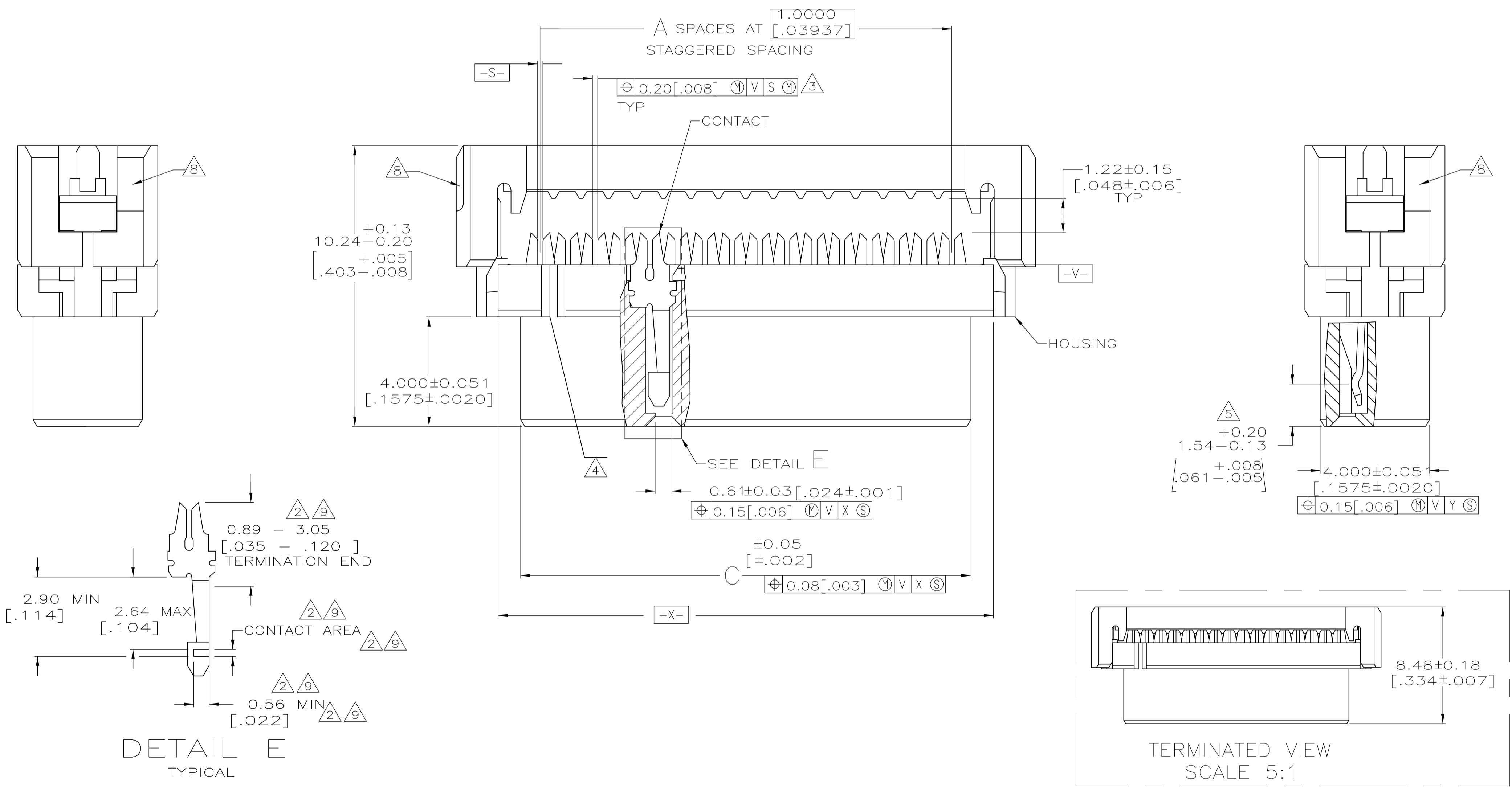


LOC		DIST		REVISIONS			
GP	00	REV	PER	ECO	DATE	BY	APVD
M2	REVISED	PER	ECO-11-005033		23MAR11	RK	HMR



- 1 MOLDED PARTS: POLYESTER, UL RATED 94V-0, BLACK. CONTACTS: BERYLLIUM COPPER.
- 2 2.54 μm [.000100] MIN TIN-LEAD ON TERMINATION END, 0.76 μm [.000030] MIN GOLD ON CONTACT AREA, ALL OVER 1.27 μm [.000050] MIN NICKEL.
- 3 POSITION TOLERANCE APPLIES 0.76 [.030] ABOVE DATUM V.
- 4 POSITION NUMBER 1 INDICATOR.
- 5 ELECTRICAL ENGAGEMENT ZONE.
- 6. RECOMMENDED 28 AWG RIBBON CABLE, 0.61 - 0.97 [.024 - .038] THICK PVC, 1.0000 [.03937] PITCH.
- 7 AMP LOGO ORIENTATION IS OPTIONAL.
- 8 RECESS ON EACH END, OPPOSITE CORNER.
- 9 0.13 μm [.000005] MIN GOLD ON TERMINATION END, 0.76 μm [.000030] MIN GOLD ON CONTACT AREA, ALL OVER 1.27 μm [.000050] MIN NICKEL.
- 10 MOLD GATE PROJECTION ON EITHER END OF COVER TO BE EXCLUDED FROM DIMENSION 'B' MEASUREMENT.



REV	DESCRIPTION	DATE	BY	APVD
25		26		
23		24		
15		16		
7		8		
49		50		
43		44		
39		40		
33		34		
19		20		
13		14		
9		10		
7		8		
21		22		
67		68		
63		64		
59		60		
49		50		
43		44		
39		40		
33		34		
29		30		
25		26		
23		24		
19		20		
15		16		
13		14		
9		10		

THIS DRAWING IS A CONTROLLED DOCUMENT. DIMENSIONS: mm [INCHES]. TOLERANCES UNLESS OTHERWISE SPECIFIED: 0 PLC ± .005, 1 PLC ± .005, 2 PLC ± .005, 3 PLC ± .005, 4 PLC ± .005. MATERIAL: POLYESTER. FINISH: POLYESTER. CONTACT FINISH: BERYLLIUM COPPER. DATE: 02-24-92. C. COBERMAN. J. McCLINTON. NAME: RECEPTACLE ASSY, 2mm CL, AMP-LATCH. SIZE: A1.00779. DRAWING NO: 111626. WEIGHT: -. SCALE: 10:1. SHEET: 1 OF 1. REV: M2.