

**PLEASE CHECK WWW.MOLEX.COM FOR LATEST PART INFORMATION**

**Part Number:** **0470805005**  
**Status:** **Active**  
**Overview:** serial ata signal plugs  
**Description:** 1.27mm (.050") Pitch Serial ATA Shrouded Signal Plug, Surface Mount, 7 Circuits, with Peg and Locking Latch, Color Nature, 0.38µm (15µ") Gold (Au) Plating, Lead-free

**Documents:**

[3D Model](#) [Product Specification PS-67490-001 \(PDF\)](#)  
[Drawing \(PDF\)](#) [RoHS Certificate of Compliance \(PDF\)](#)

**Agency Certification**

CSA LR 19980  
 UL E29179

**General**

Product Family PCB Headers  
 Series 47080  
 Application Board-to-Board, Wire-to-Board  
 Overview serial ata signal plugs  
 Product Name Serial ATA

**Physical**

Breakaway No  
 Circuits (Loaded) 7  
 Circuits (maximum) 7  
 Durability (mating cycles max) 500  
 First Mate / Last Break No  
 Flammability 94V-0  
 Glow-Wire Compliant No  
 Guide to Mating Part No  
 Keying to Mating Part None  
 Lock to Mating Part Yes  
 Material - Plating Mating Gold  
 Material - Plating Termination Tin  
 Number of Rows 1  
 Orientation Right Angle  
 PCB Locator Yes  
 PCB Retention Yes  
 PCB Thickness Recommended (in) 0.062 In  
 PCB Thickness Recommended (mm) 1.60 mm  
 Packaging Type Embossed Tape on Reel  
 Pitch - Mating Interface (in) 0.050 In  
 Pitch - Mating Interface (mm) 1.27 mm  
 Polarized to Mating Part Yes  
 Polarized to PCB Yes  
 Shrouded No  
 Stackable No  
 Temperature Range - Operating -35°C to +85°C  
 Termination Interface: Style Surface Mount

**Electrical**

Current - Maximum per Contact 1.5A  
 Voltage - Maximum 15V

**Solder Process Data**

Lead-free Process Capability Reflow Capable (SMT only)  
 Process Temperature max. C 230

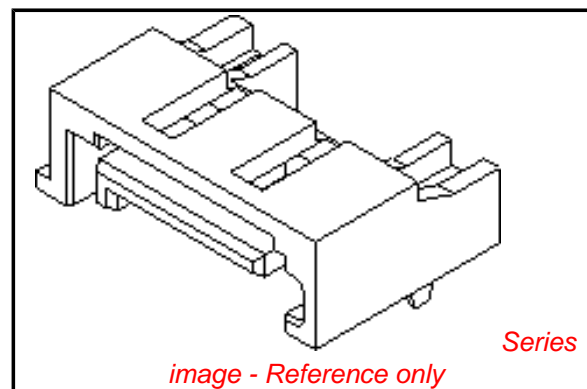


image - Reference only

**EU RoHS**

**ELV and RoHS Compliant**  
**REACH SVHC Contains SVHC: No**  
**Halogen-Free Status**  
**Not Reviewed**

**China RoHS**



**Need more information on product environmental compliance?**

Email [productcompliance@molex.com](mailto:productcompliance@molex.com)  
 For a multiple part number RoHS Certificate of Compliance, [click here](#)

Please visit the [Contact Us](#) section for any non-product compliance questions.

**Search Parts in this Series**

47080Series

**Mates With**

67489 Serial ATA Signal Connect. ATA Straight to Straight Signal Cable Assembly  
 887505310 , 887505318 , 887505410 , 887505418

**Material Info**

**Reference - Drawing Numbers**

Packaging Specification

PK-47080-001

Product Specification

PS-67490-001, RPS-67490-002

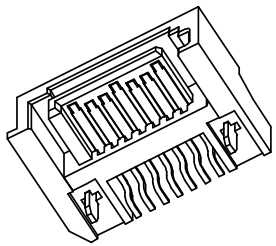
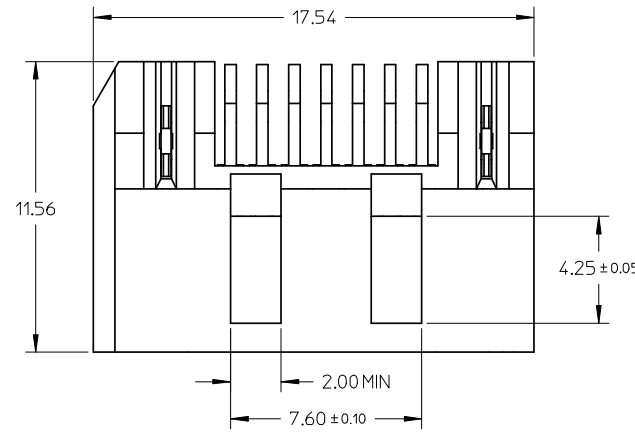
Sales Drawing

SD-47080-001

This document was generated on 05/26/2010

**PLEASE CHECK [WWW.MOLEX.COM](http://WWW.MOLEX.COM) FOR LATEST PART INFORMATION**

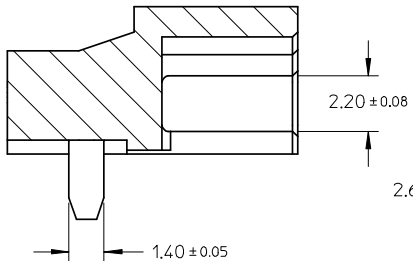
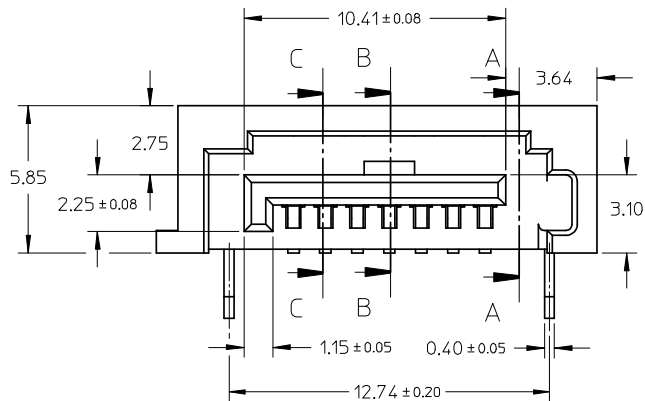
F



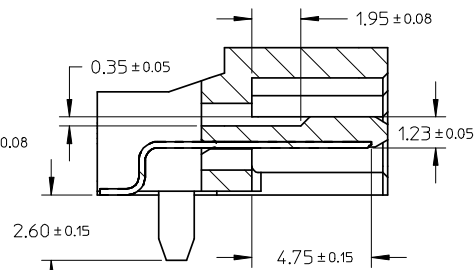
- NOTES:
- MATERIAL:  
HOUSING: HIGH TEMPERATURE PLASTIC, GLASS FILLED, UL94V-0, COLOR: SEE CHART;  
TERMINAL/PEG: COPPER ALLOY;  
MYLAR: ADHESIVE TAPE.
  - TERMINAL AND PEG PLATING:  
CONTACT AREA: GOLD PLATED ON 1.25 MICRONS MINIMUM NICKEL UNDER PLATE, REFERRED TO PLATING TYPE LIST IN TABLE;  
SOLDER AREA: 1.27 MICRONS PURE TIN PLATED ON 1.25 MICRONS MINIMUM NICKEL UNDER PLATE, REFERRED TO REMARK IN TABLE.
  - PRODUCT SPECIFICATION REFER TO PS-67490-001.
  - MATING PART: 67489.
  - PRODUCT COMPLIANT TO RoHS DIRECTIVE 2002/95/EC AND ELV 2000/53/EC.

E

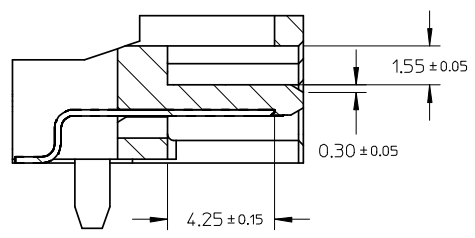
D



SECTION A-A



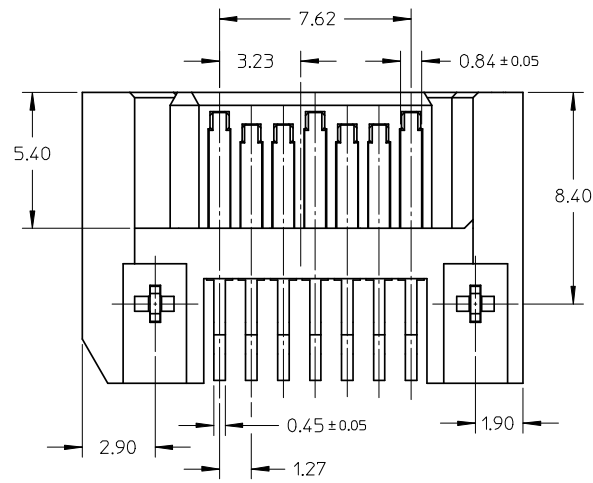
SECTION B-B



SECTION C-C

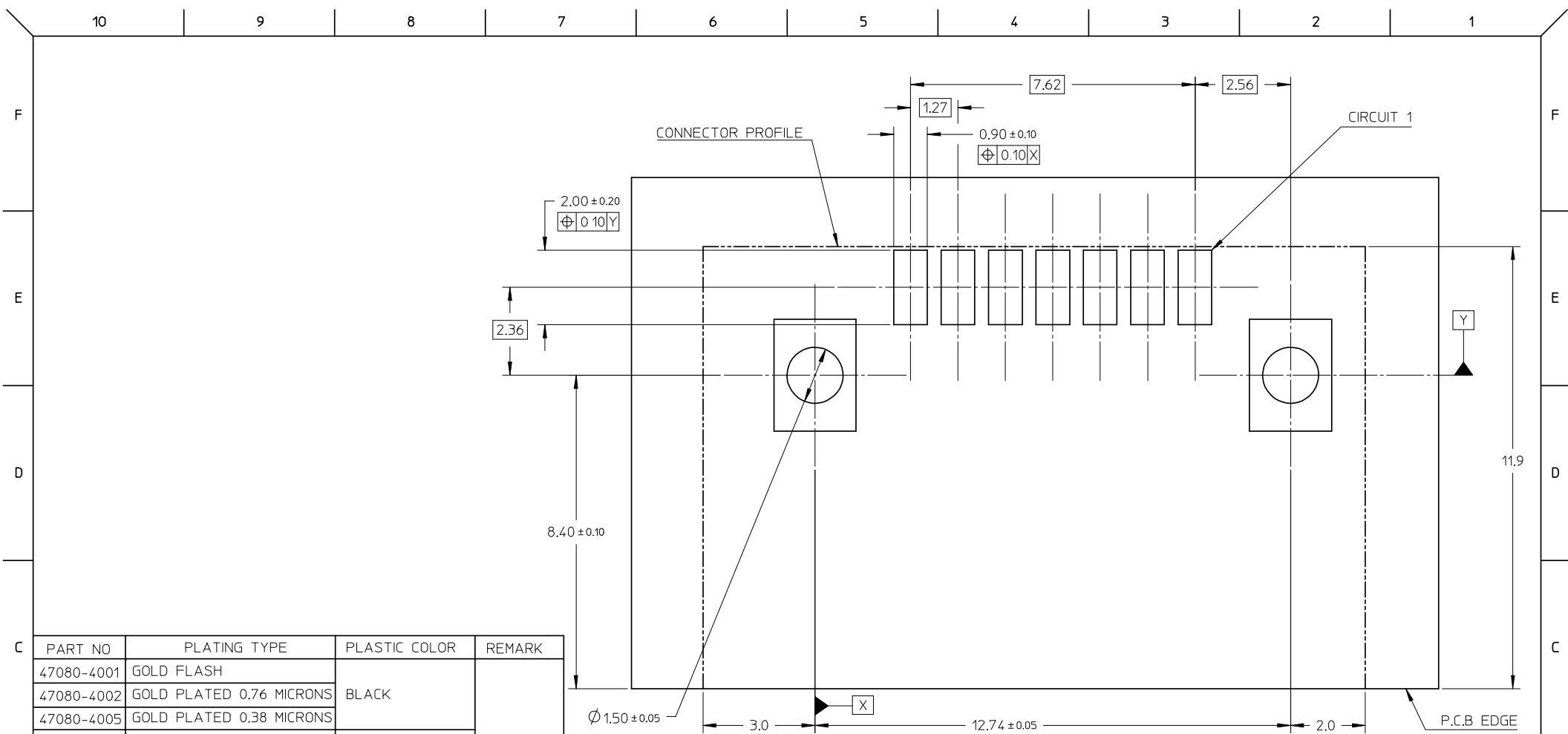
C

B



A

UPDATE DRAWING EC NO: SH2009-0041 DRWNL:SONG 2008/08/06 CHKD:XJ.SONG 2008/08/07 APPR:HWANG 2008/08/26	QUALITY SYMBOLS	GENERAL TOLERANCES (UNLESS SPECIFIED)		DIMENSION STYLE MM ONLY		SCALE 1:1	DESIGN UNITS METRIC	THIRD ANGLE PROJECTION
	▽=0	mm	INCH	DRAWN BY	DATE	TITLE		
	∇=0	4 PLACES ± --- ± ---	GRATE MA	2004/06/14	SATA SYSTEM PLUG PEG INSERT TYPE WITH SHROUD			
		3 PLACES ± --- ± ---	CHECKED BY	DATE	MOLEX INCORPORATED			
	2 PLACES ± 0.15 ± ---	APPROVED BY	DATE	MATERIAL NO.		DOCUMENT NO.	SHEET NO.	
	1 PLACE ± 0.25 ± ---	VINCENT	2004/06/14	SEE SHEET 2		SD-47080-001	1 OF 2	
	ANGULAR ± 1 °	DRAFT WHERE APPLICABLE MUST REMAIN WITHIN DIMENSIONS						
		THIS DRAWING CONTAINS INFORMATION THAT IS PROPRIETARY TO MOLEX INCORPORATED AND SHOULD NOT BE USED WITHOUT WRITTEN PERMISSION						



RECOMMENDED P.C.B LAYOUT  
THICKNESS: 1.60 +/- 0.05

PART NO	PLATING TYPE	PLASTIC COLOR	REMARK
47080-4001	GOLD FLASH	BLACK	BRIHGT TIN
47080-4002	GOLD PLATED 0.76 MICRONS		
47080-4005	GOLD PLATED 0.38 MICRONS		
47080-5001	GOLD FLASH	NATURE COLOR	BRIHGT TIN
47080-5002	GOLD PLATED 0.76 MICRONS		
47080-5005	GOLD PLATED 0.38 MICRONS		
47080-6001	GOLD FLASH	PROCESS BLUE C DELTA E<3	MATTE TIN
47080-6002	GOLD PLATED 0.76 MICRONS		
47080-6005	GOLD PLATED 0.38 MICRONS		
47080-1010	GOLD FLASH	BLACK	MATTE TIN
47080-1020	GOLD PLATED 0.76 MICRONS		
47080-1030	GOLD PLATED 0.38 MICRONS		
47080-2010	GOLD FLASH	NATURE COLOR	MATTE TIN
47080-2020	GOLD PLATED 0.76 MICRONS		
47080-2030	GOLD PLATED 0.38 MICRONS		
47080-3010	GOLD FLASH	PROCESS BLUE C DELTA E<3	MATTE TIN
47080-3020	GOLD PLATED 0.76 MICRONS		
47080-3030	GOLD PLATED 0.38 MICRONS		

UPDATE DRAWING  
EC NO: SH2009-0041  
DRAWN: SONG 2008/08/06  
CHKD: XJ SONG 2008/08/07  
APPR: HWANG 2008/08/26

QUALITY SYMBOLS  
▽=0  
▽=0

GENERAL TOLERANCES (UNLESS SPECIFIED)

	mm	INCH
4 PLACES	± ---	± ---
3 PLACES	± ---	± ---
2 PLACES	± 0.15	± ---
1 PLACE	± 0.25	± ---
ANGULAR ± 1 °		

DRAFT WHERE APPLICABLE  
MUST REMAIN  
WITHIN DIMENSIONS

DIMENSION STYLE  
MM ONLY

DRAWN BY	DATE
GRATE MA	2004/06/14
CHECKED BY	DATE
GRATE MA	2004/06/14
APPROVED BY	DATE
VINCENT	2004/06/14

MATERIAL NO. SEE TABLE

SCALE 1:1  
DESIGN UNITS METRIC  
THIRD ANGLE PROJECTION

TITLE  
SATA SYSTEM PLUG  
PEG INSERT TYPE  
WITH SHROUD

MOLEX INCORPORATED

DOCUMENT NO. SD-47080-001  
SHEET NO. 2 OF 2

THIS DRAWING CONTAINS INFORMATION THAT IS PROPRIETARY TO MOLEX INCORPORATED AND SHOULD NOT BE USED WITHOUT WRITTEN PERMISSION