

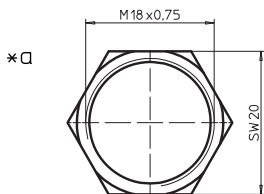
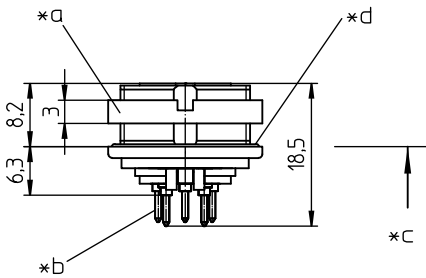
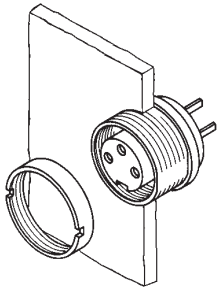
03 030799-2

Circular connectors with threaded joint M16 acc. to IEC 61076-2-106, IP40/IP67/IP68



SWUM™ chassis socket acc. to IEC 61076-2-106 and AISG specification, IP 68/67, with threaded joint, for printed circuit boards, manual soldering, for back side mounting, with hexagonal nut

03 030799-2



#### Environmental conditions

Temperature range -40 °C/+85 °C

#### Materials

Insulating body	PA, V-2 according to UL94
Contact bush	CuZn, silver-plated and flash gold-plated, tin-plated in solder area
Housing	Zn diecast, pre-copper and nickel-plated
Hexagonal nut	CuZn, nickel-plated
Seal	NBR

#### Mechanical data

Insertion force/contact	≤ 5.0 N <sup>1</sup>
Withdrawal force/contact	≥ 1.2 N <sup>1</sup>
Protection class	IP68/67 <sup>2</sup>

<sup>1</sup> measured with a polished steel pin, nominal thickness 1.5 mm

<sup>2</sup> according to IEC 60529/DIN EN 60529

IP68: sealed in locked position; pair of appropriate connectors in locked position is sealed against ingress of dust and moisture.

IP67: sealed when unmated (SWUM™); no dust or moisture can ingress into the inside of the device through an unmated connector accidentally left unprotected.  
IPX8 requirements under agreement between user and manufacturer

#### Electrical data (at T<sub>amb</sub> 20 °C)

Contact resistance	≤ 5 mΩ
Rated current	5 A (T <sub>amb</sub> 40 °C)
Rated voltage	60 V
Rated impulse voltage	1 kV/60 s
Material group	II (IEC)/1 (UL) (CTI ≥ 450)
Overvoltage category	I
Insulation resistance	> 100 MΩ

#### Associated products

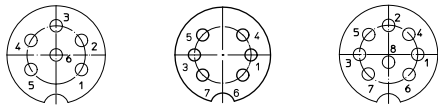
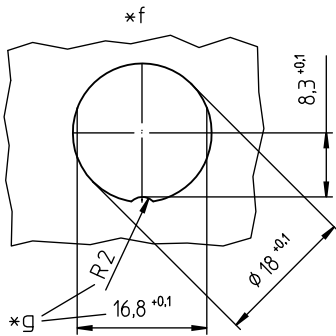
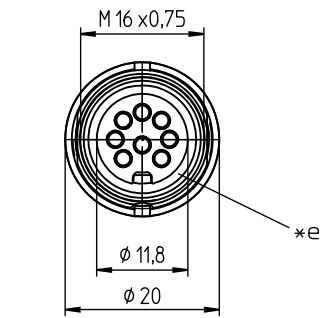
##### Counterparts

<a href="#">0331</a>	<a href="#">0332</a>	<a href="#">0332-1</a>
<a href="#">033200</a>	<a href="#">0365</a>	<a href="#">036500</a>

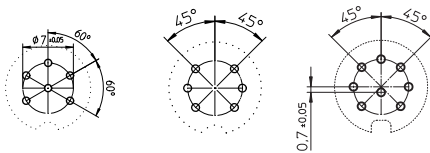
##### Accessories

<a href="#">0322 C 16</a>	<a href="#">0381</a>	<a href="#">038199</a>
<a href="#">0384</a>	<a href="#">0385</a>	<a href="#">038799</a>

03 030799-2



08-a  
030799-2 08-1



08-a  
030799-2 08-1

- \*a nut enclosed separately (hexagonal nut instead of a slit nut)
- \*b for bore hole in printed circuit board  $\phi 1$  mm
- \*c mounting direction
- \*d O-ring gasket
- \*e flat gasket
- \*f port in mounting plate
- \*g anti-rotation, alternative execution

03

030799-2

Designation	Pole Number	PU (Pieces)	MDQ (Pieces)
030799-2 08-1	8	50	100

**Packaging:**

in a cardboard box