

POC-W211

21.5" Widescreen Point-of-Care Terminal with Fanless and Slim Design



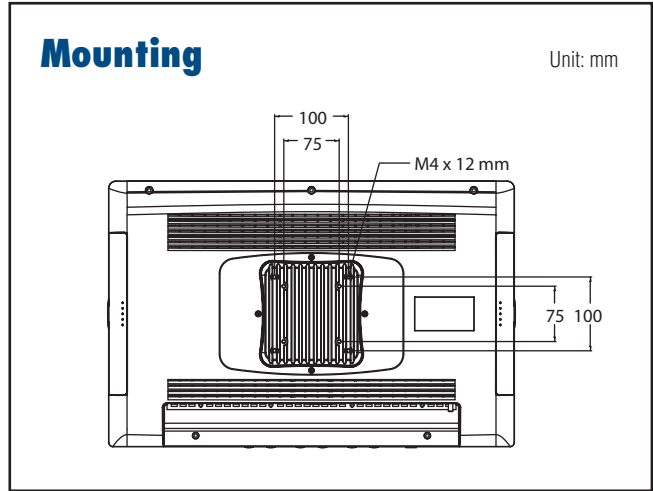
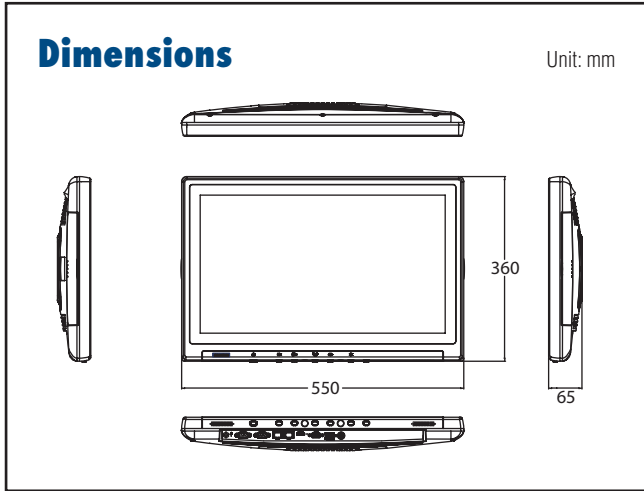
Features

- Runs on an Intel® Core™ i7 processor with a fanless, high performance profile
- Ultra-thin display, only 65 mm slim at its widest point
- Capable of displaying crystal clear images on its 21.5" wide-screen display
- Isolated design provides unique electric leakage protection for COM ports and LAN ports
- IPX1 water resistant enclosure with additional IP65 dust-tight front panel
- UL60601-1/EN60601-1 third edition certified ensures highest levels of safety and reliability
- Optional Bluetooth, RFID, Blu-ray RW, inner WLAN module, and Li-ion battery pack

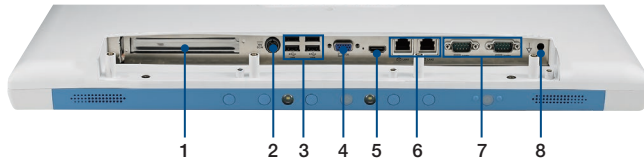


Specifications

Computing System	Chipset	Intel® QM67	
	CPU	Intel® Core™ i7 2655LE Processor (4 M Smart Cache, 2.2GHz) Intel® Core™ i3 2340UE Processor (3 M Smart Cache, 1.3GHz)	
	Memory	Up to 16GB DDR3 1333MHz SDRAM (optional)	
	Graphics Controller	Integrated Intel HD Graphic	
	Operating System	XPP, Win 7, WES7P, XPE	
Display	Display Size	21.5" wide TFT color LCD (16:9)	
	Type	IPS	
	Max. Resolution	1920 x 1080 (H x V)	
	Max. Colors	16.7M colors (RGB 8-bits)	
	Pixel Pitch (um)	24.8 x 24.8	
	Viewing Angle	178°/178°	
	Luminance	250 cd/m ²	
	Backlight	LED	
	LCD MTBF	30,000 Hours	
Expansion Slot	Mini PCIe	1	
	PCIe	1 x PCIe (x1) slot	
I/O Ports	Serial Ports	1 x RS-232/422/485 (isolated) 1 x RS-232 (isolated)	
	USB 2.0 Ports	6	
	VGA/DVI Port	1 x VGA	
	Speakers (1W)	2	
	LAN	2 x Gigabit Ethernet (isolated) interfaces (RJ-45)	
	HDMI	1 x HDMI out	
Storage	HDD	1 x 2.5" SATA	
	DC Model	AC/DC adapter (Sinpro Model no.HPU101-107)	
Power Supply	Input Voltage	90 ~ 260 V _{AC} , 1.35 ~ 0.5 A, 47 ~ 63 Hz	
	Output Voltage	+18 V _{DC} , 5.55 A max. (100 watts)	
	Battery	3S2P 4200mAh, supports 0.5 hr backup operation Adding the battery will prevent the PCIe card from being inserted	
Optional Functions	Smart Card Reader	Complies with ISO7816-1,2,3,T=1 and T=0 protocol	
	WLAN	Integrated wireless 802.11 a/b/g/n connection & internal antenna	
	RFID	13.56 MHz with ISO-15693 & ISO-14443A/B and active tag function	
	Bluetooth	Integrated Bluetooth v2.0 + EDR	
	Optical Devices	DVD-RW SATA , Blu-ray RW option	
Optional Touchscreen	Type	Analog Resistive (Clear & AG)	Projected Capacitive 2-points (AR)
	Resolution	Continuous	Continuous
	Light Transmission	80±3%	90±3%
	Controller	COM interface	USB interface
	Durability	35 million touches	Over 50 million touches
IP Rating	Front Panel	IP65	
	Entire System	IPX1	
Certifications	UL60601-1/EN60601-1, CE & FCC Class B certified, CCC		
Environment	Temperature	Operating: 0° C ~ +40° C, Storage: -20° C ~ +60° C	
	Humidity	10 ~ 95% @ 40° C (Non-condensing)	
	Shock Resistance	20 G peak acceleration (11 ms duration)	
Physical Characteristics	Dimensions (W x D x H)	550 x 360 x 65 mm (21.65" x 14.17" x 2.56")	
	Weight	6.9 kg (15.2 lb)	

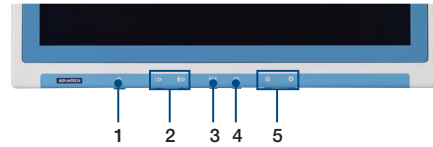


Rear I/O Ports



- (1) PCIe card slot
- (2) Power DC-IN
- (3) 2 x USB 2.0 ports
- (3-1) 2 x USB 3.0 ports
- (4) VGA port
- (5) HDMI out port
- (6) 2 x Gigabit Ethernet interfaces (RJ-45)
- (7) 1 x RS-232 (isolated) and 1 x RS-232/422/485 (isolated) serial port
- (8) Equipotential Terminal Pin

Function Keys

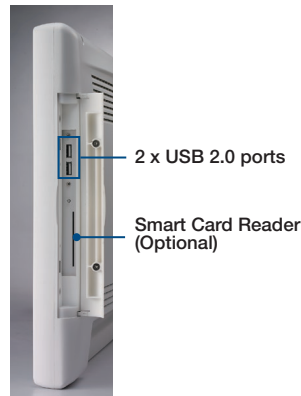


- (1) Power
- (2) Volume Up/Down
- (3) Touchscreen Status Control
- (4) Read Light Control
- (5) Brightness Increase/Decrease

Left Side I/O



Right Side I/O



Ordering Information

Part Number	Description
POC-W211-A01D-ATE	Core i7 2.2G/4G RAM/RES. TS/AG Type
POC-W211-A01D-ALE	Core i7 2.2G/4G RAM/RES. TS/Clear Type
POC-W211-A01D-ACE	Core i7 2.2G/4G RAM/PCAP TS/AR Type
POC-W211-B01D-ATE	Core i3 1.3G/4G RAM/RES. TS/AG Type

Accessories

Part Number	Description
PDC-W215-STAND-H3E	PDC-W215 STAND_H3-741L type_6~12kg Black
1702002600	Power Cable (USA) 1.8 M
1702002605	Power Cable (Europe) 1.8 M

Optional Modules

Part Number	Description
POC-W21X-BTTE	Battery module (4200mAh Li-ion battery) for POC-W211/W212
POC-W211-RF0E	RFID module for POC-W211
POC-W21X-BT0E	Bluetooth module for POC-W211/W212
POC-W211-WF0E	Wireless module (802.11a/b/g/n) for POC-W211
POC-W21X-SC0E	Smart Card module for POC-W211/W212
POC-W211-RW0E	DVD+/-RW module (LG SLIM 8X SATA) for POC-W211