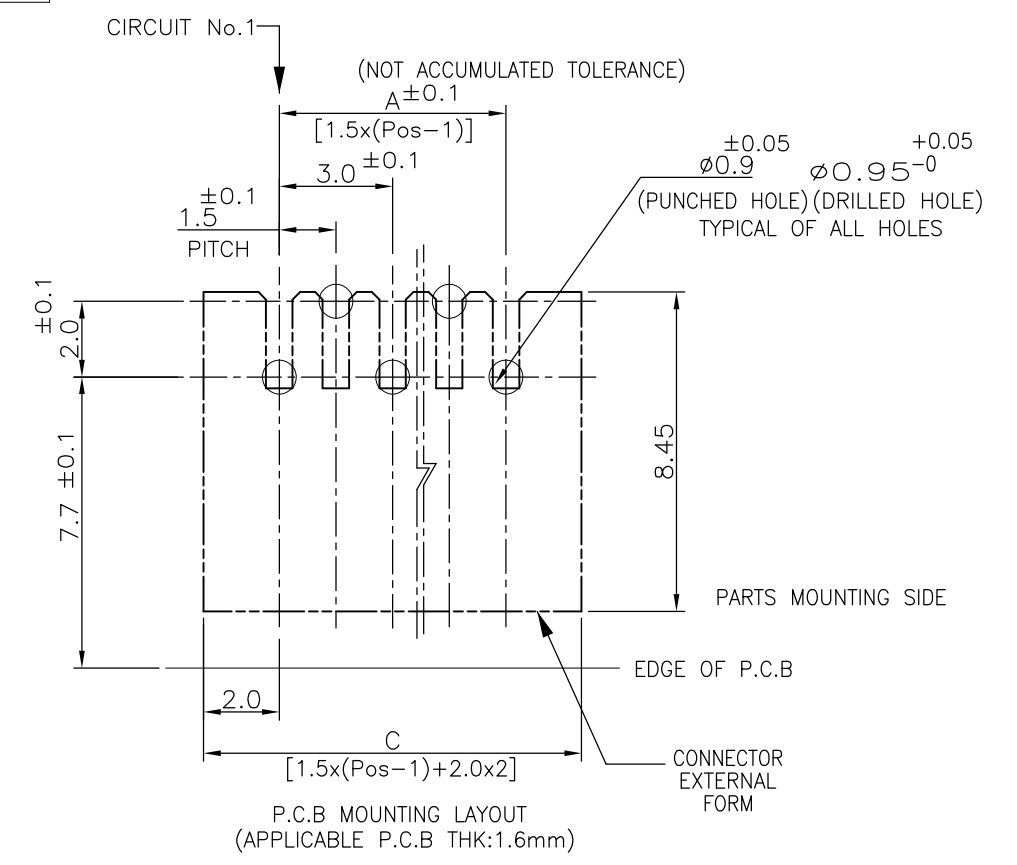
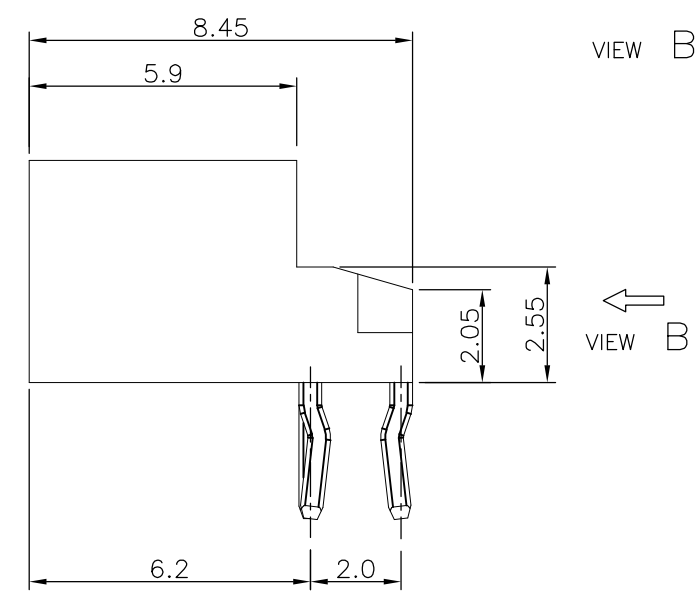
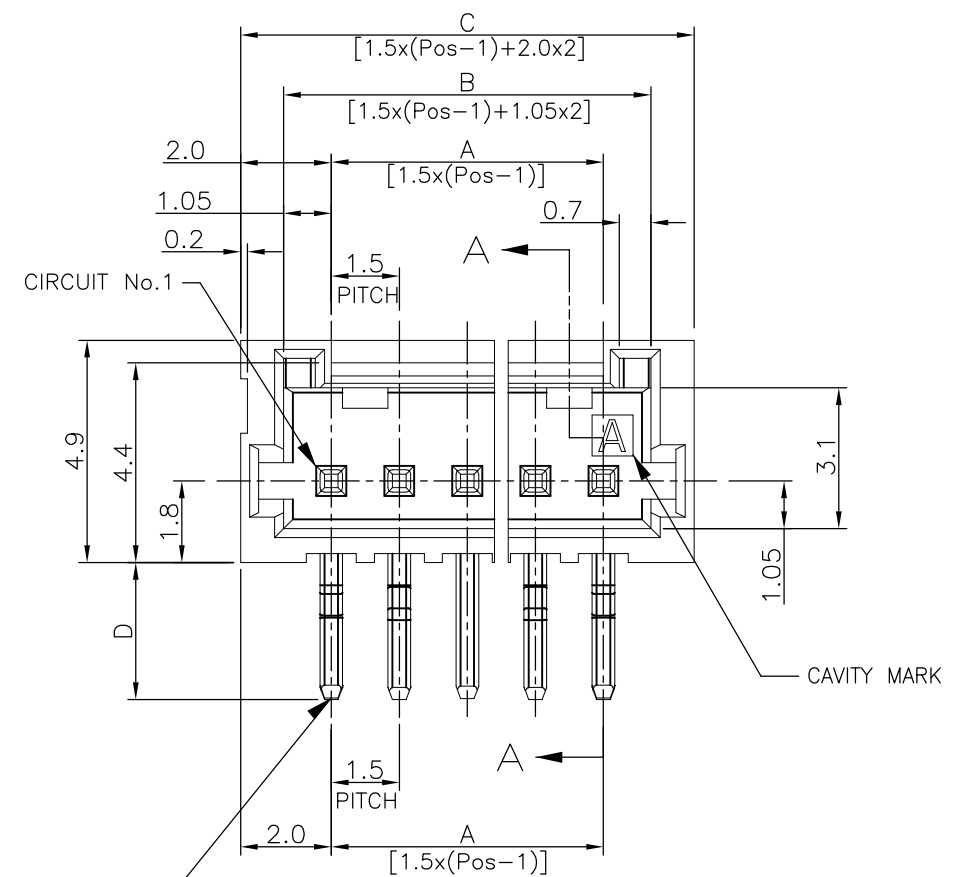
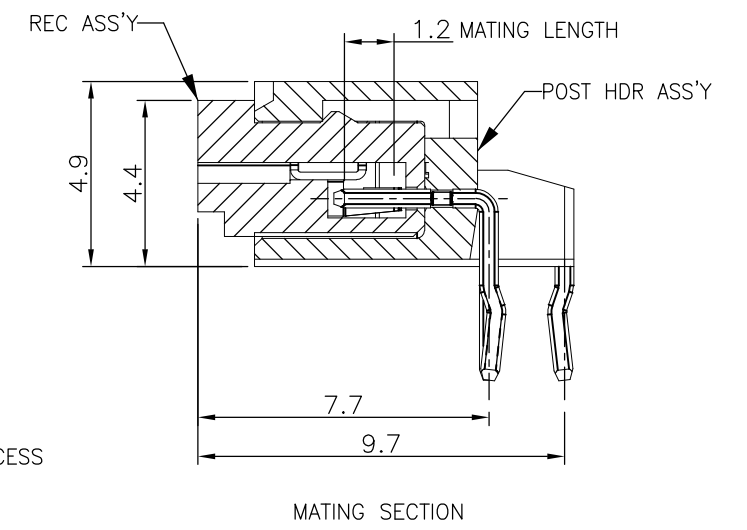
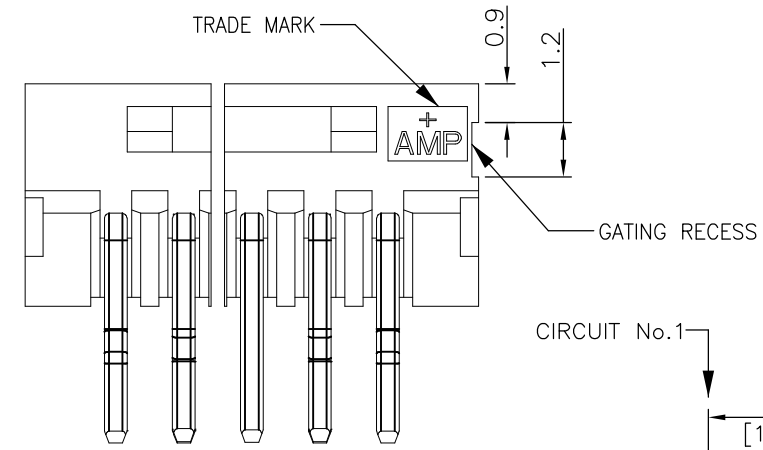
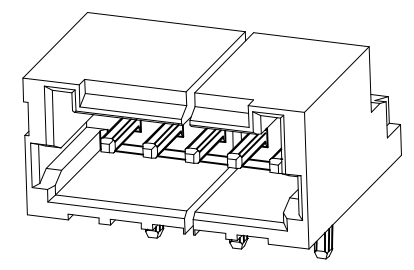
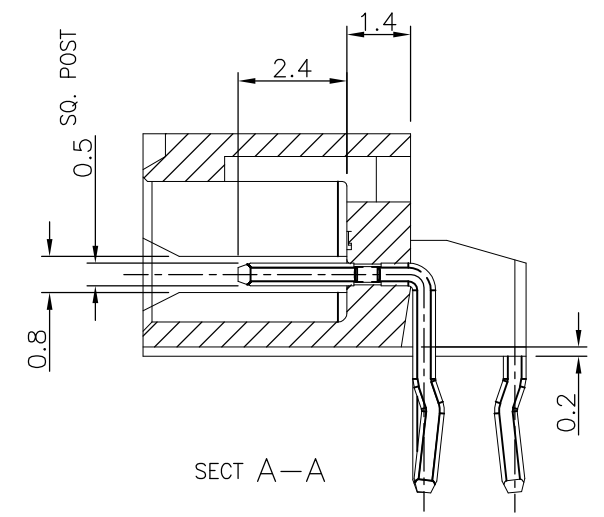
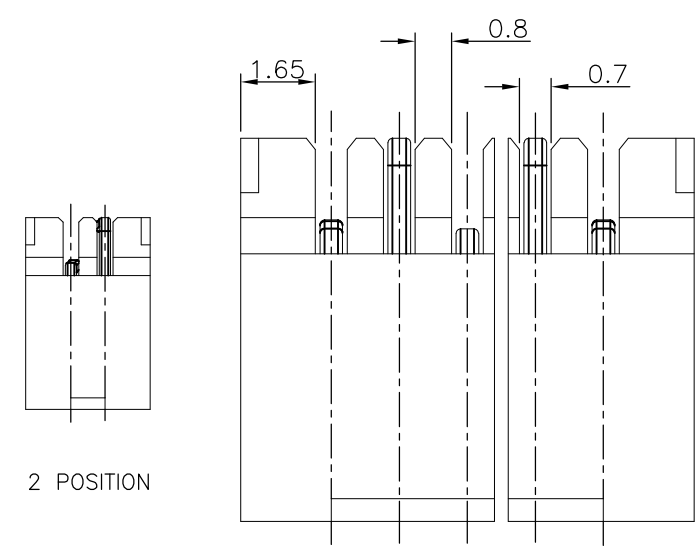


THIS DRAWING IS UNPUBLISHED. RELEASED FOR PUBLICATION
 © COPYRIGHT - By - ALL RIGHTS RESERVED.

LOC	DIST	REVISIONS					
ES	00	P	LTR	DESCRIPTION	DATE	DWN	APVD
			A1	REVISED PER ECO-11-005033	24MAR11	RK	HMR



KINKING FORMING BOTH SIDE EACH 2 PLACES TOTAL: 4 PLACES

NOTES:
 1.MATERIAL:
 HOUSING:NYLON(G.F.) UL94V-0,COLOR:GRAY,BLUE
 POST:PRE-TIN 0.5mm SQ. BRASS WIRE

TOLERANCES UNLESS OTHERWISE SPECIFIED:

10 >= *	: ±0.2
30 >= * > 10	: ±0.25
100 >= * > 30	: ±0.3
ANGLE	: ±3°

THIS DRAWING IS A CONTROLLED DOCUMENT.		DWN	S.YAO	06DEC02	STE TE Connectivity		
DIMENSIONS: MM		CHK	T.SASAKI	31JAN03			
TOLERANCES UNLESS OTHERWISE SPECIFIED:		APVD	T.SASAKI	31JAN03	NAME		
0 PLC ± -		PRODUCT SPEC		AMP Mini CT Connector 1.5mm Pitch			
1 PLC ± -		APPLICATION SPEC		Single Row HDR Ass'y (H) DIP Staggered Type with Kink			
2 PLC ± -		SIZE	108-60018	CAGE CODE	A300779	DRAWING NO	C-292206
3 PLC ± -		WEIGHT	114-5223	RESTRICTED TO		-	
4 PLC ± -		CUSTOMER DRAWING		SCALE	NON	SHEET	1 OF 2
ANGLES ± -		SEE NOTE 1		REV		A1	
FINISH		SEE NOTE 1					

LOC	DIST	REVISIONS					
ES	00	P	LTR	DESCRIPTION	DATE	DWN	APVD
		-		SEE SHEET 1	-	-	-


RELEASED FOR PUBLICATION

ALL RIGHTS RESERVED.

THIS DRAWING IS UNPUBLISHED.

© COPYRIGHT - By -

0.23	2.5	7.0	5.1	3.0	3		9-292206-3
1.11	3.0	32.5	30.6	28.5	20	7-292206-0	2-292206-0
1.06	3.0	31.0	29.1	27.0	19	6-292206-9	1-292206-9
1.01	3.0	29.5	27.6	25.5	18	6-292206-8	1-292206-8
0.96	3.0	28.0	26.1	24.0	17	6-292206-7	1-292206-7
0.91	3.0	26.5	24.6	22.5	16	6-292206-6	1-292206-6
0.86	3.0	25.0	23.1	21.0	15	6-292206-5	1-292206-5
0.81	3.0	23.5	21.6	19.5	14	6-292206-4	1-292206-4
0.75	3.0	22.0	20.1	18.0	13	6-292206-3	1-292206-3
0.70	3.0	20.5	18.6	16.5	12	6-292206-2	1-292206-2
0.65	3.0	19.0	17.1	15.0	11	6-292206-1	1-292206-1
0.60	3.0	17.5	15.6	13.5	10	6-292206-0	1-292206-0
0.54	3.0	16.0	14.1	12.0	9	5-292206-9	292206-9
0.49	3.0	14.5	12.6	10.5	8	5-292206-8	292206-8
0.44	3.0	13.0	11.1	9.0	7	5-292206-7	292206-7
0.40	3.0	11.5	9.6	7.5	6	5-292206-6	292206-6
0.34	3.0	10.0	8.1	6.0	5	5-292206-5	292206-5
0.29	3.0	8.5	6.6	4.5	4	5-292206-4	292206-4
0.24	3.0	7.0	5.1	3.0	3	5-292206-3	292206-3
0.19	3.0	5.5	3.6	1.5	2	5-292206-2	292206-2
WEIGHT (g)	D	C	B	A	Pos.	BLUE	GRAY
	DIMENSIONS					PART NO	

DIMENSIONS: mm	DWN -	MATERIAL -	FINISH -
TOLERANCES UNLESS OTHERWISE SPECIFIED:	CHK -	 TE Connectivity	
0 PLC ± - 1 PLC ± SEE SHEET 2 PLC ± 1 OF 2 3 PLC ± - 4 PLC ± - ANGLES ± -	APVD -		
	PRODUCT SPEC -	NAME AMP Mini CT Connector 1.5mm Pitch Single Row Post HDR Ass'y (H) DIP Staggered Type with Kink	
	APPLICATION SPEC -	SIZE A4	CAGE CODE 00779
	WEIGHT -	DRAWING NO C-292206	RESTRICTED TO -
CUSTOMER DRAWING		SCALE -	SHEET 2 OF 2 REV A1