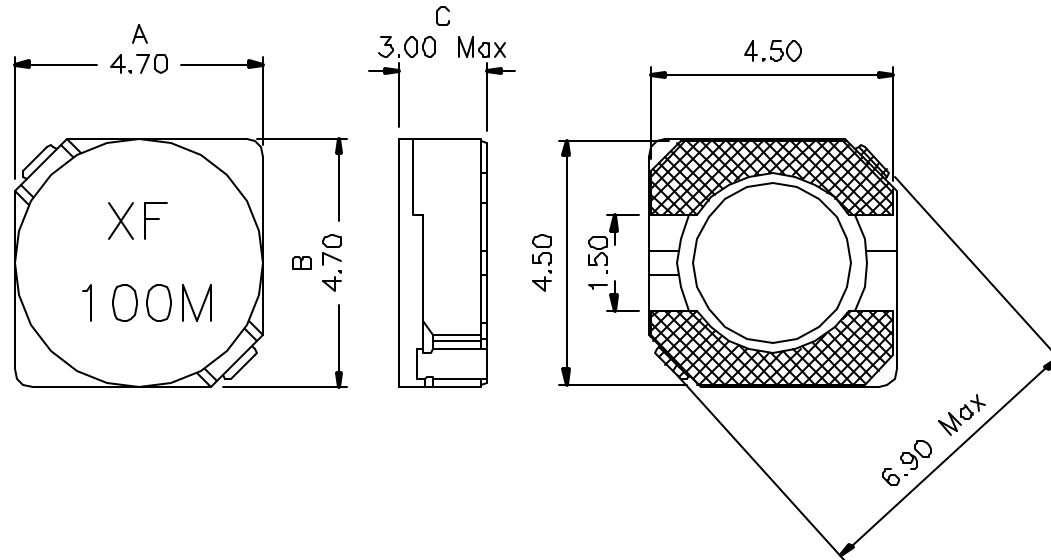
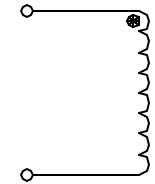


1. Mechanical Dimensions:



2. Schematic:



3. Electrical Specifications:

OCL: $10\mu\text{H} \pm 20\%$ @100KHz, 0.10V
 DCR: 128.3 mOhms Max.
 IDC: 1.0A Max

Note:

1. Solderability: Leads shall meet MIL-STD-202, Method 208D for solderability.
2. Flammability: UL94V-0,
3. ASTM oxygen index: > 28% ,
4. Temperature rating 155°C. UL file E151556,
5. Operating Temperature Range: 0°C to +70°C

DOC. REV A/1

XFMRs Inc	Title: INDUCTORS			
	UNLESS OTHERWISE SPECIFIED		P/N: XFTPRH4D2B-100M	REV. A
	TOLERANCES:		DWN.	李小锋
	.xx ±0.25		CHK.	廖玉坤
Dimensions in MM		APP.	BW	Sep-18-01
SHT 1 OF 1		Sep-18-01		