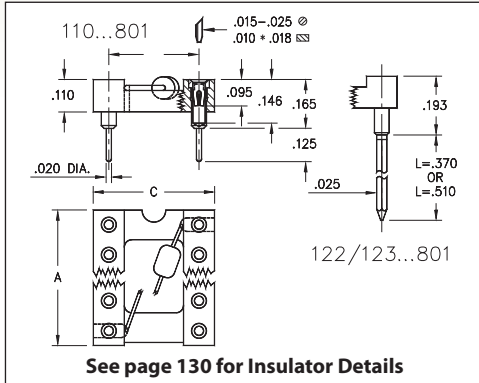
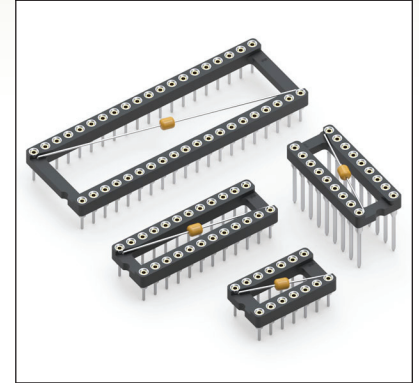


DUAL-IN-LINE SOCKETS

SERIES 110, 122, 123 • INTEGRAL DECOUPLING CAPACITOR • OPEN FRAME



- Low profile DIP sockets w/ integral decoupling capacitor: .1 μ F 20%-50V multi-layer ceramic epoxy encapsulated. Temp. range: -25° C to +85° C
- Hi-Rel, 4-finger BeCu #30 contact is rated at 3 amps. See page 253 for details
- Series 110, 122 and 123 use MM #1001, #0088 or #0089 pins. See pages 165 & 198 for details
- Insulators are high temperature thermoplastic, suitable for all soldering operations
- For Electrical, Mechanical and Environmental Data, see page 264 for details



Total number of pins				Quantity per tube	ORDERING INFORMATION		
	A	B	C		Solder Tail	L = .370 (2 Level Wrappost)	L = .510 (3 Level Wrappost)
14	0.7	0.3	0.4	28	110-XX-314-41-801000	122-XX-314-41-801000	123-XX-314-41-801000
16	0.8	0.3	0.4	25	110-XX-316-41-801000	122-XX-316-41-801000	123-XX-316-41-801000
18	0.9	0.3	0.4	22	110-XX-318-41-801000	122-XX-318-41-801000	123-XX-318-41-801000
20	1.0	0.3	0.4	20	110-XX-320-41-801000	122-XX-320-41-801000	123-XX-320-41-801000
22	1.1	0.3	0.4	18	110-XX-322-41-801000	122-XX-322-41-801000	123-XX-322-41-801000
24	1.2	0.3	0.4	16	110-XX-324-41-801000	122-XX-324-41-801000	123-XX-324-41-801000
28	1.4	0.3	0.4	14	110-XX-328-41-801000	122-XX-328-41-801000	123-XX-328-41-801000
24	1.2	0.6	0.7	16	110-XX-624-41-801000	122-XX-624-41-801000	123-XX-624-41-801000
28	1.4	0.6	0.7	14	110-XX-628-41-801000	122-XX-628-41-801000	123-XX-628-41-801000
32	1.6	0.6	0.7	12	110-XX-632-41-801000	122-XX-632-41-801000	123-XX-632-41-801000
40	2.0	0.6	0.7	10	110-XX-640-41-801000	122-XX-640-41-801000	123-XX-640-41-801000
 XX=Plating Code See Below							
SPECIFY PLATING CODE XX =					13	93	43
Sleeve (Pin)					10 μ " Au	200 μ " Sn/Pb	200 μ " Sn
Contact (Clip)					30 μ " Au	30 μ " Au	30 μ " Au