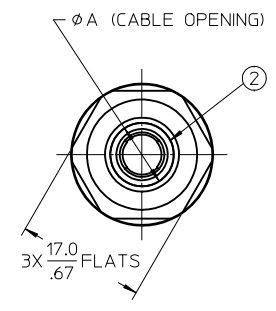
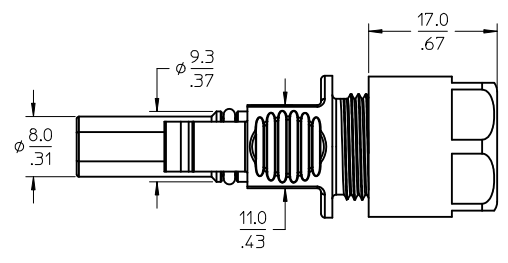
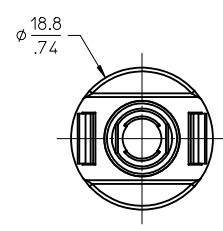
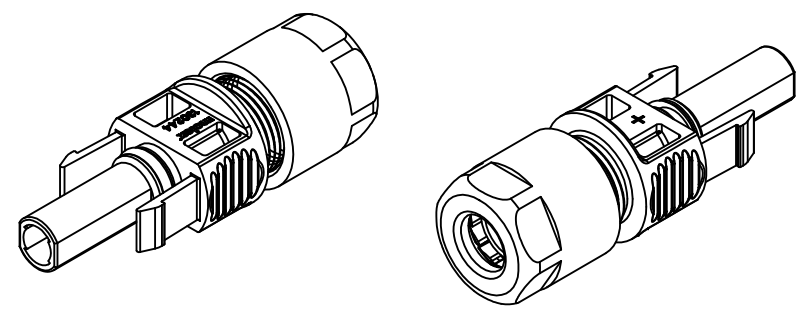
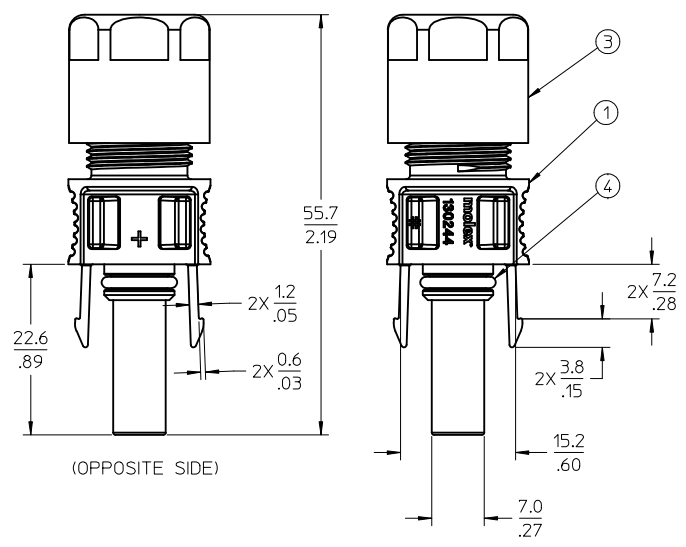


1302440203	2.5 mm ² / 14 AWG	5.8-6.7 / .23-.26	7.0 / .28
1302440201	4.0-6.0 mm ² / 12-10 AWG	6.7-7.8 / .26-.31	8.4 / .33
MATERIAL NO.	CABLE SIZE	CABLE Ø RANGE	DIM. "A"



- NOTES:
1. MATERIALS: SEE TABLE
 2. FINISHES: SEE TABLE
 3. PRODUCT SPECIFICATION: PS-130244-001
 4. PACKAGING SPECIFICATION: PK-130244-001
 5. MATES WITH: 1302440202 OR 1302440204
 6. ASSEMBLY IS ROHS COMPLIANT.

ITEM	QTY	DESCRIPTION	MATERIAL	FINISH
4	1	O-RING SEAL	SILICONE	DARK GRAY
3	1	CABLE RETENTION NUT	POLYCARBONATE (PC)	BLACK
2	1	CABLE GROMMET	SILICONE	TRANSLUCENT
1	1	SOCKET HOUSING	POLYCARBONATE (PC)	BLACK

PRELIMINARY	EC NO: WNA2011-0079	2010/08/13
DRWN:CLYORK	CHKD:	APPR:DTITUS
DESCRIPTION	2010/10/28	

QUALITY SYMBOLS
 ▽=0
 ▽=0

GENERAL TOLERANCES (UNLESS SPECIFIED)

	mm	INCH
4 PLACES	± .005	± .0005
3 PLACES	± .010	± .0010
2 PLACES	± .013	± .0010
1 PLACE	± 0.25	± .010

ANGULAR ± 2 °

DRAFT WHERE APPLICABLE MUST REMAIN WITHIN DIMENSIONS

DIMENSION STYLE		SCALE	DESIGN UNITS	THIRD ANGLE PROJECTION
MM/IN		2:1	METRIC	
DRAWN BY	DATE	TITLE		
CLYORK	2010/03/17	SOCKET ASSEMBLY, PV SOLAR DC CONNECTOR, 14-10 AWG		
CHECKED BY	DATE	MATERIAL NO.		
DTITUS	2010/03/17	SEE CHART		
APPROVED BY	DATE	DOCUMENT NO.		
DTITUS	2010/10/28	SD-130244-001		

MATERIAL NO.		DOCUMENT NO.		SHEET NO.
SEE CHART		SD-130244-001		1 OF 1
THIS DRAWING CONTAINS INFORMATION THAT IS PROPRIETARY TO MOLEX INCORPORATED AND SHOULD NOT BE USED WITHOUT WRITTEN PERMISSION				