

INTEGRATED CPE SIDE HYBRID FILTER

P/N: VD-7089M DATA SHEET



Bothhand USA. e-mail: sales@bothhandusa.com http://www.bothhand.com

Feature



- Operating Temperature: -10°C to +60°C.
- Storage Temperature: -25°C to +75°C.

Electrical Specifications @ 25°C

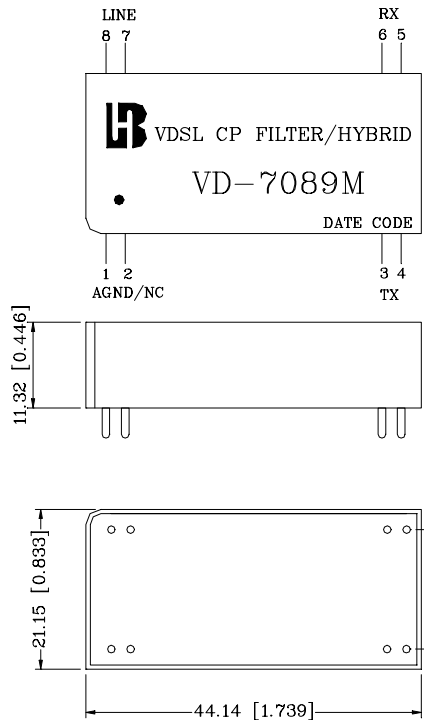
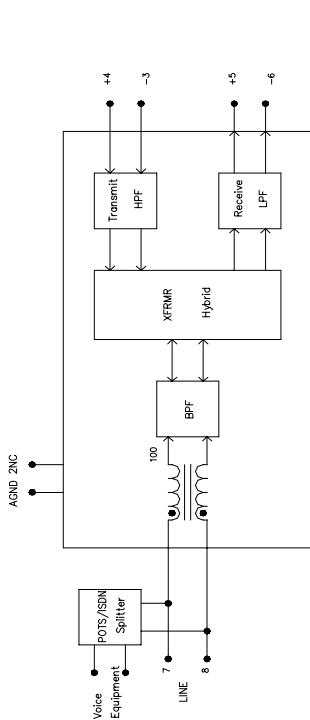
Part Number	Description	Return Loss (dB Min)	Pass band Insertion loss (dB Max)		Stop band Insertion loss (dB Min)	Impedance (Ω)
		4.2M ~ 7.8 MHz	4.5M ~ 7.8 MHz	4.2M ~ 4.5MHz	900K~ 3.4 MHz	
VD-7089M	Transmit HPF TO LINE	-10	-4.5	-4.5	-15	40

Additional Specifications

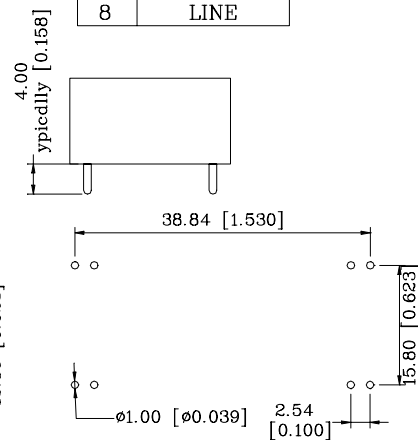
Part Number	Description	Return Loss	Pass band Insertion loss (dB Max)		Stop band Insertion loss (dB Min)		Impedance (Ω)	
		900K~3.3MHz	900 ~ 3 MHz	3 ~ 3.3 MHz	4.5 ~ 7.8MHz	20 ~ 150KHz		150 ~250KHz
VD-7089M	Receive LPF TO LINE	-10	-4.8	-4.8	-50	-60	-50	270

Schematic

Mechanical



PIN	ALLOCATION
1	AGND
2	NC
3	TX-
4	TX+
5	RX+
6	RX-
7	LINE
8	LINE



Units: mm[Inches] Tolerances: xx.x0±0.25[0.010]
0.xx±0.05[0.002]