

Surge protection device - BXT-4XS-SEC-T3-24-FM - 1191881

Please be informed that the data shown in this PDF Document is generated from our Online Catalog. Please find the complete data in the user's documentation. Our General Terms of Use for Downloads are valid (<http://phoenixcontact.com/download>)



Wall-mounted NEMA 4/4X (IP66) 316L stainless steel enclosure with surge protection for 24 V AC/DC power and a divided compartment ready for additional Isolated Loop Protection.

Your advantages

- ✓ Customizable: expand base unit with SPDs to suit your application
- ✓ Polycarbonate and 316L stainless steel enclosures available
- ✓ Eligible for limited lifetime warranty (in some U.S. markets)



Key Commercial Data

Packing unit	1 pc
GTIN	
GTIN	4063151244026
Weight per Piece (excluding packing)	3,400.000 g

Technical data

Ambient conditions

Ambient temperature (operation)	-40 °C ... 80 °C
Ambient temperature (storage/transport)	-40 °C ... 80 °C
Degree of protection	IP66 / NEMA 4X

General

Housing material	Stainless steel, 316L, electropolished
Mounting type	Wall mounting
Type	DIN rail module, two-section, divisible
Direction of action	L/N-PE & Signal Line-Shield-Earth Ground

Surge protection device - BXT-4XS-SEC-T3-24-FM - 1191881

Technical data

Protective circuit, power supply

EN type	T2 / T3
Combination wave U_{oc}	2 kV
Surge protection fault message	optical

Connection (protective circuit, power supply)

Connection method	Screw connection
Screw thread	M3
Stripping length	10 mm

Remote indicator contact (protective circuit, power supply)

Connection name	Remote fault indicator contact
Switching function	Changeover contact
Connection method	Screw connection
Screw thread	M3
Stripping length	10 mm

Protective circuit, information technology

Nominal voltage U_N	24 V AC (Power)
Max. operating voltage U_{max}	34 V AC (Power)
Nominal current I_N	20 A (Power)
Max. discharge current I_{max} (8/20) μ s	4 kA (Power)

Power supply, general

Connection method IN	Screw connection
Connection method OUT	Screw connection
Screw thread	M3
Tightening torque	0.5 Nm
Stripping length	10 mm
Conductor cross section flexible min.	0.2 mm ²
Conductor cross section flexible max.	2.5 mm ²
Conductor cross section solid min.	0.2 mm ²
Conductor cross section solid max.	4 mm ²
Conductor cross section AWG min.	24
Conductor cross section AWG max.	12

Environmental Product Compliance

REACH SVHC	Lead 7439-92-1
China RoHS	Environmentally Friendly Use Period = 50 years

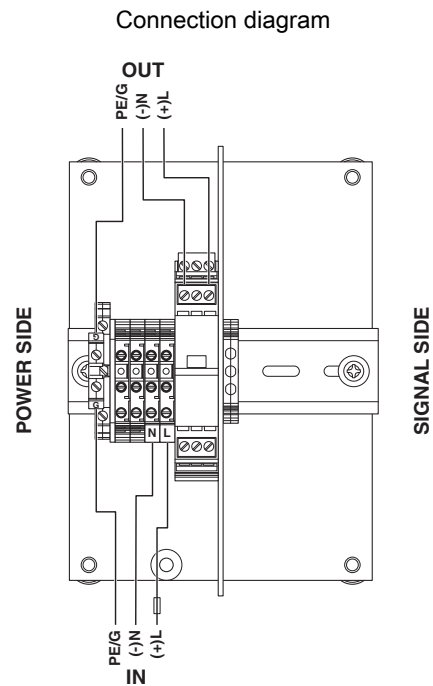
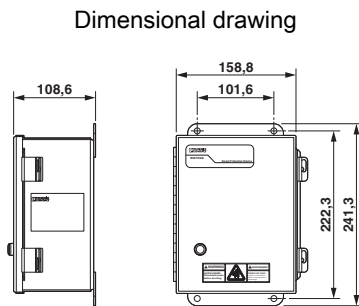
Surge protection device - BXT-4XS-SEC-T3-24-FM - 1191881

Technical data

Environmental Product Compliance

	For details about hazardous substances go to tab "Downloads", Category "Manufacturer's declaration"
--	---

Drawings



Articles in set

Type 3 surge protection device - PLT-SEC-T3-24-FM-UT - 2907916



Type 3 surge protection, consisting of protective plug and base element, with integrated status indicator and remote signaling for single-phase power supply networks. Nominal voltage: 24 V AC/DC

Classifications

eCl@ss

eCl@ss 10.0.1	27130805
eCl@ss 11.0	27130805

Surge protection device - BXT-4XS-SEC-T3-24-FM - 1191881

Classifications

eCl@ss

eCl@ss 9.0	27130805
------------	----------

Accessories

Accessories

Full screw connection

Cable gland - G-ESS-M20-S66L-STES-S - 1411076



Cable gland, cable gland material: Stainless steel 316L, application: Ex, external cable diameter 6.5 mm ... 14 mm, shielding: no, connecting thread: M20 x 1.5, color: silver

Cable gland - G-ESS-M25-M66L-STES-S - 1411078



Cable gland, cable gland material: Stainless steel 316L, application: Ex, external cable diameter 11.1 mm ... 20 mm, shielding: no, connecting thread: M25 x 1.5, color: silver

Cable gland - G-ESS-M32-M66L-STES-S - 1411080



Cable gland, cable gland material: Stainless steel 316L, application: Ex, external cable diameter 17 mm ... 26.3 mm, shielding: no, connecting thread: M32 x 1.5, color: silver

Cable gland - G-ESS-M40-L66L-STES-S - 1411082



Cable gland, cable gland material: Stainless steel 316L, application: Ex, external cable diameter 23.5 mm ... 32.2 mm, shielding: no, connecting thread: M40 x 1.5, color: silver

Surge protection device - BXT-4XS-SEC-T3-24-FM - 1191881

Accessories

Cable gland - G-ESS-M50-L66L-STES-S - 1411085



Cable gland, cable gland material: Stainless steel 316L, application: Ex, external cable diameter 35.6 mm ... 44.1 mm, shielding: no, connecting thread: M50 x 1.5, color: silver

Spare parts

Type 3 surge protection plug - PLT-SEC-T3-24-P-UT/PT - 2907920



Replacement plug for type 3 surge protection from the PLT-SEC-...-UT/PT product series. Nominal voltage 24 V.