

1

2

3

4

5

6

7

A

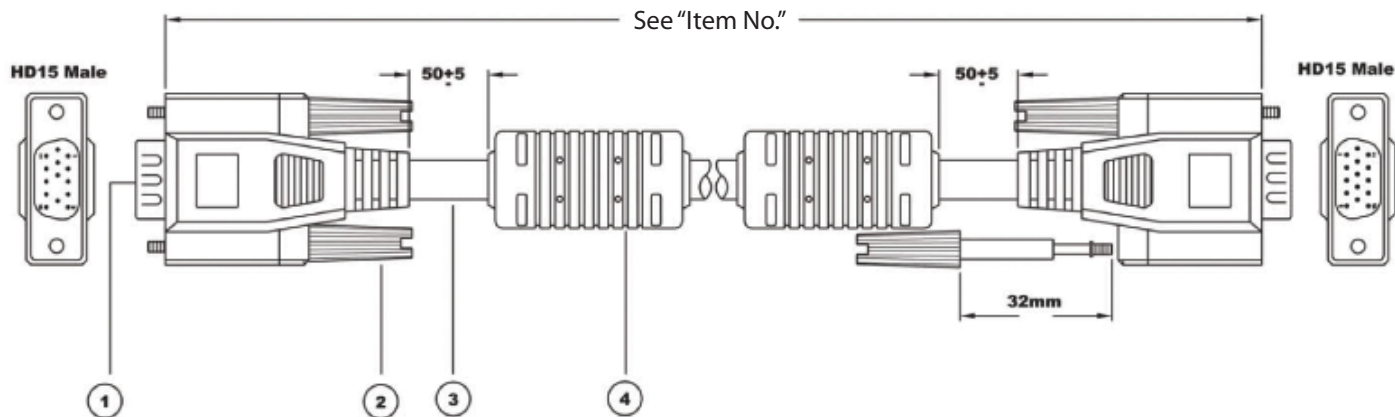
A

B

B

C

C



Configuration:
HD15M HD15F

1	Red(Coax)	1
6	Red(Ground)	6
2	Green(Coax)	2
7	Green(Ground)	7
3	Blue(Coax)	3
8	Blue(Ground)	8
4	Brown	4
5	Black	5
13	Green	13
14	Red	14
10	Orange	10
11	White	11
12	Yellow	12
Shield	(Braid)	Shield

Material:

- Cable: UL2919, 3COAXIAL+7C+1+AL/MY+Braid,
(Beige PVC Jacket) O.D:8.5
- Connector: HD15M, 9th Empty, Black
- Thumbscrew: #4-40UNC, E32
- Ferrite Core: RH16 x 28 x9
- Copper Size: 30X50
- Black Heat Shrink: ∅1.05x15:6PCS ∅3x8:6PCS

Note:

- Total Length: See "Item No."
- Color: Beige
- Molded Type

D

D

E


E

F

F

G

G

Scale	1:1					Name	Item No.
TOLERANCE					Drawn	11.16.11	Chappell
X.X	±0.40				Approved		
X.XX	±0.25				Title		
X.XXX	±0.15				Premium XGA Monitor Connection Cable, HD D-Sub 15 pin Male to HD D-Sub 15 pin Male		
Angle	±3°				Drawing No.		rev00
					Replace	Sheet	
		Modification	Date	Name			



1

2

3

4

5

6

7

H