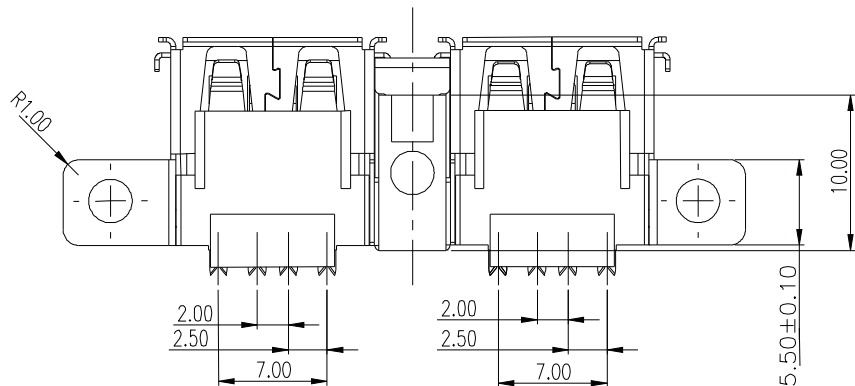
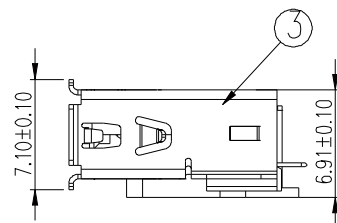
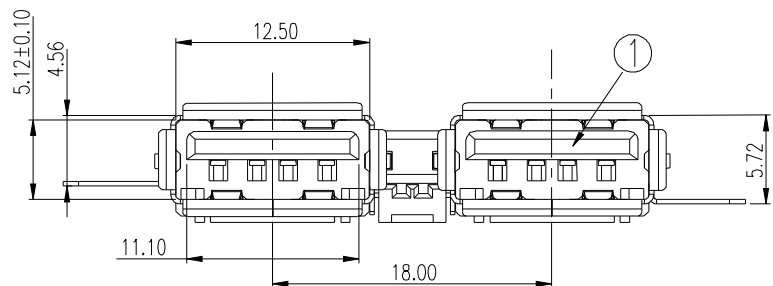
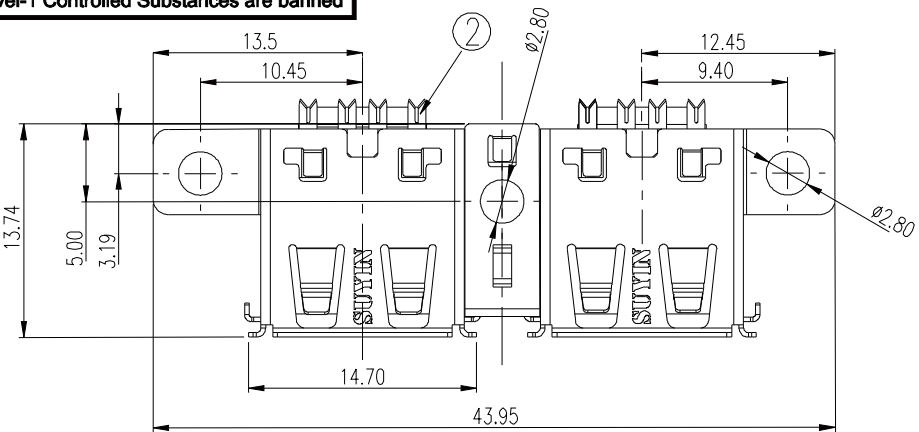




**RoHS Compliant**  
2002/95/EC  
**HSF**

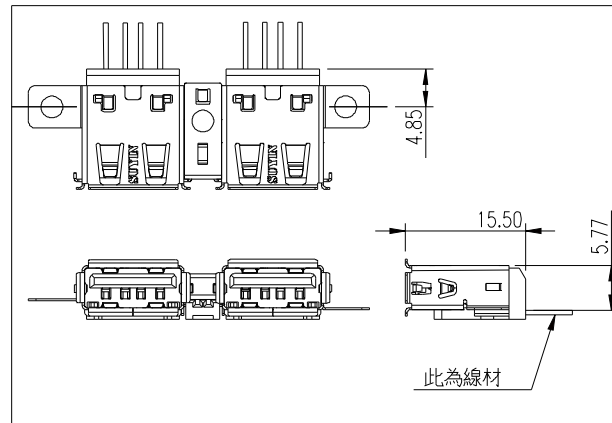
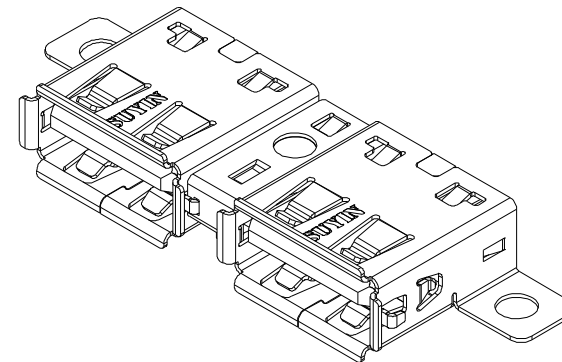
Level-1 Controlled Substances are banned

NOTE: 020167MJ004 SX\_36ZA



CONTACT PLATED:

- \*S1,-05u" MIN. GOLD IN CONTACT AREA/  
100u" MIN. TIN IN SOLDER AREA/
- \*S2,-GOLD FLASH IN CONTACT AREA/  
100u" MIN. TIN IN SOLDER AREA/
- \*S3,-10u" MIN. GOLD IN CONTACT AREA/  
100u" MIN. TIN IN SOLDER AREA/
- \*S4,-15u" MIN. GOLD IN CONTACT AREA/  
100u" MIN. TIN IN SOLDER AREA/
- \*S5,-30u" MIN. GOLD IN CONTACT AREA/  
100u" MIN. TIN IN SOLDER AREA/
- \*S6,-50u" MIN. GOLD IN CONTACT AREA/  
100u" MIN. TIN IN SOLDER AREA/



加后蓋示意圖(比例: 1)

NOTE: 1.后蓋(020167M00832ZA)由CABLE廠  
組裝線材后再組裝

NO.	DESCRIPTION	MATERIAL	COLOR	REMARK
3	SHELL	METAL	—	NICKEL PLATED
2	TERMINAL	COPPER ALLOY	—	GOLD/Tin PLATED
1	PLASTIC	HIGH TEMP.PLASTIC	BLACK	UL 94V-0

**SUYIN**  
CONNECTOR

CUSTOMER COPY	TITLE: 8PIN USB CONNECTOR		
PART NO.	020167MJ008SX36ZA		
PRODUCT SPEC.	020167MJ008XX36ZX		
FILE NAME.	D	020167MJ008SX36ZA-C	
SCALE	2:1	UNIT:mm	A4 SHEET: 1 of 2

DCBS-080408-05	PC	08'04/08	PC1: 變更尺寸6.91±0.15->6.91±0.10	陳光	謝日倉	彭賽龍	許俊賢	Angle	±2°	DRAW	陳光	08'07/14
ECN(DCN) NO.	REV	DATE	DESCRIPTION	CHANGE	APPRO.	GENERAL TOLERANCE UNLESS OTHERWISE NOTED		30 ~	±0.50	DESIGN	陳光	08'07/14
	0		NEWRELEASE	陳光	謝日倉			10 ~ 30	±0.30	CHECK	賀敏	08'07/14
								~ 10	±0.15	APPRO.	謝日倉	08'07/14