

## Flatpack Three-Way Power Divider, 25 - 1000 MHz

Rev. V3

### Features

- Insertion Loss: 0.4 dB Typical Midband
- Isolation: 35 dB Typical Midband
- Input VSWR: 1.2:1 Typical
- Impedance: 50 Ohms Nominal
- Maximum Power Rating or Input Power: 1 Watt Max.
- Internal Load Dissipation: 0.05 Watts Max.
- MIL-STD-202 Screening Available

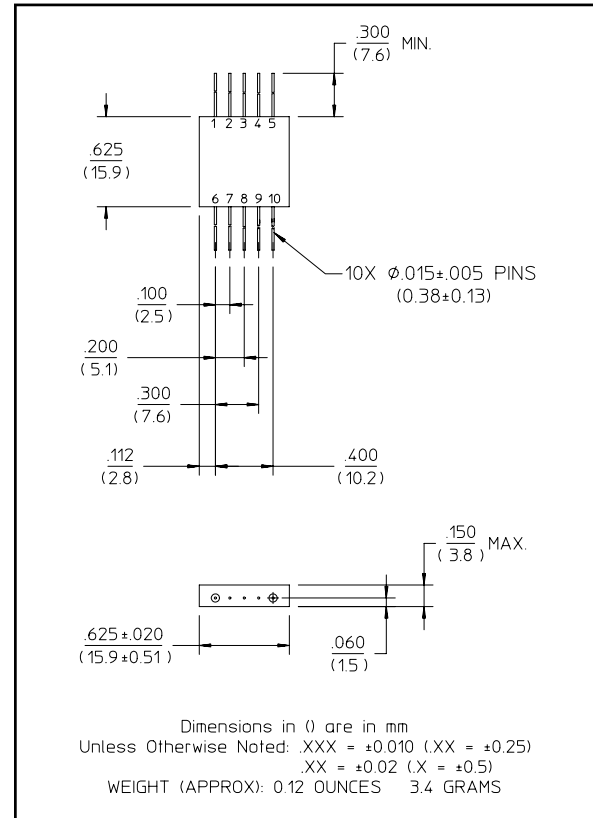
### Description

A Power Divider is ideally a lossless reciprocal device which can also perform vector summation of two or more signals and thus is sometimes called a power combiner or summer.

### Pin Configuration

| Pin No. | Function | Pin No. | Function |
|---------|----------|---------|----------|
| 1       | GND      | 6       | Output   |
| 2       | GND      | 7       | GND      |
| 3       | Input    | 8       | Output   |
| 4       | GND      | 9       | GND      |
| 5       | GND      | 10      | Output   |

### FP-3



### Electrical Specifications<sup>1</sup>: T<sub>A</sub> = -55°C to +85°C

| Parameter         | Test Conditions | Frequency      | Units | Min | Typ | Max   |
|-------------------|-----------------|----------------|-------|-----|-----|-------|
| Insertion Loss    | Less Coupling   | 25 - 200 MHz   | dB    | —   | —   | 0.5   |
|                   |                 | 200 - 1000 MHz | dB    | —   | —   | 1.0   |
| Isolation         | —               | 25 - 50 MHz    | dB    | 15  | —   | —     |
|                   |                 | 50 - 200 MHz   | dB    | 22  | —   | —     |
|                   |                 | 200 - 1000 MHz | dB    | 24  | —   | —     |
| Amplitude Balance | —               | 25 - 200 MHz   | dB    | —   | —   | 0.25  |
|                   |                 | 200 - 1000 MHz | dB    | —   | —   | 0.4   |
| Phase Balance     | —               | 25 - 200 MHz   | °     | —   | —   | 2     |
|                   |                 | 200 - 1000 MHz | °     | —   | —   | 4     |
| VSWR              | Input<br>Output | 25 - 1000 MHz  | Ratio | —   | —   | 1.4:1 |
|                   |                 | 25 - 50 MHz    | Ratio | —   | —   | 1.9:1 |
|                   |                 | 50 - 200 MHz   | Ratio | —   | —   | 1.7:1 |
|                   |                 | 200 - 1000 MHz | Ratio | —   | —   | 1.5:1 |

1. All specifications apply with 50 ohm source and load impedance.  
 This product contains elements protected by United States Patent Number 3,428,920.

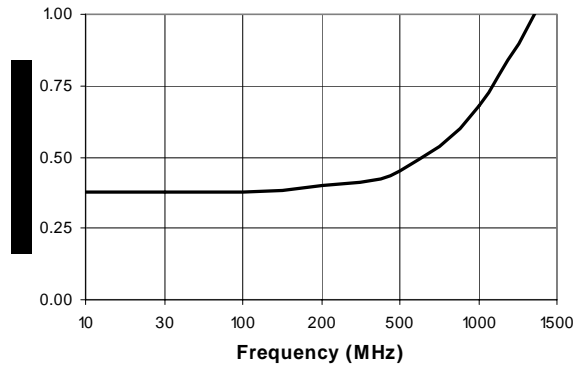
**ADVANCED:** Data Sheets contain information regarding a product M/A-COM Technology Solutions is considering for development. Performance is based on target specifications, simulated results, and/or prototype measurements. Commitment to develop is not guaranteed.  
**PRELIMINARY:** Data Sheets contain information regarding a product M/A-COM Technology Solutions has under development. Performance is based on engineering tests. Specifications are typical. Mechanical outline has been fixed. Engineering samples and/or test data may be available. Commitment to produce in volume is not guaranteed.

• **North America** Tel: 800.366.2266 • **Europe** Tel: +353.21.244.6400  
 • **India** Tel: +91.80.4155721 • **China** Tel: +86.21.2407.1588  
 Visit [www.macomtech.com](http://www.macomtech.com) for additional data sheets and product information.

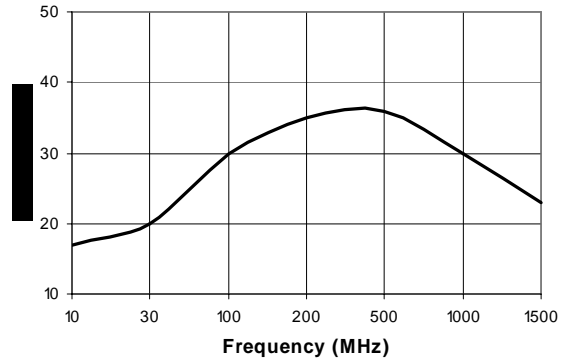
M/A-COM Technology Solutions Inc. and its affiliates reserve the right to make changes to the product(s) or information contained herein without notice.

## Typical Performance Curves

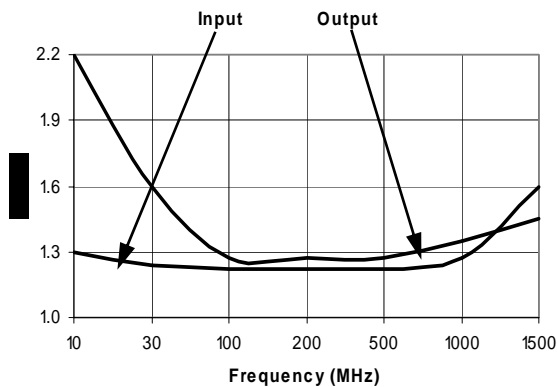
**Insertion Loss**



**Isolation**



**VSWR**



## Ordering Information

| Part Number | Package |
|-------------|---------|
|             |         |