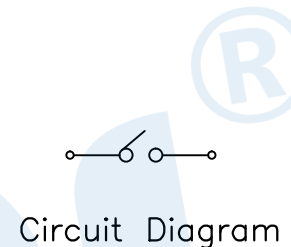
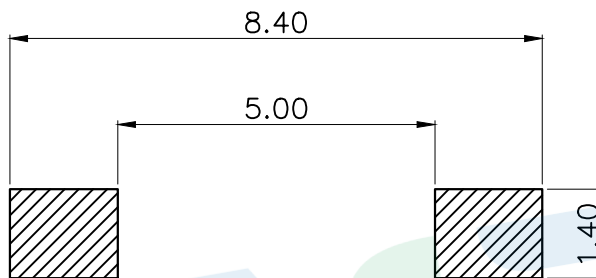
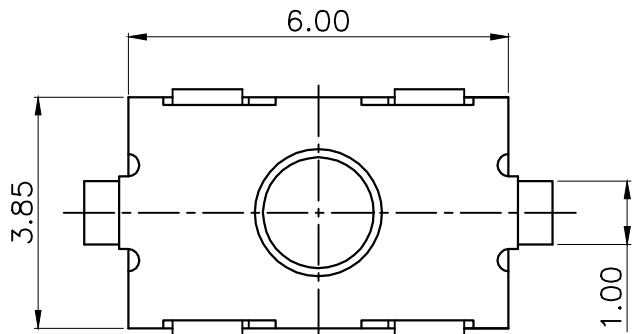


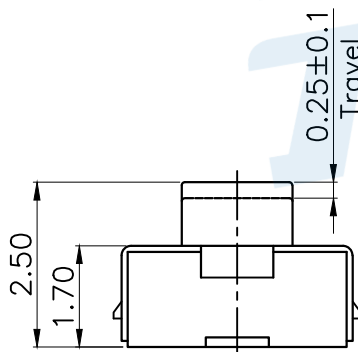
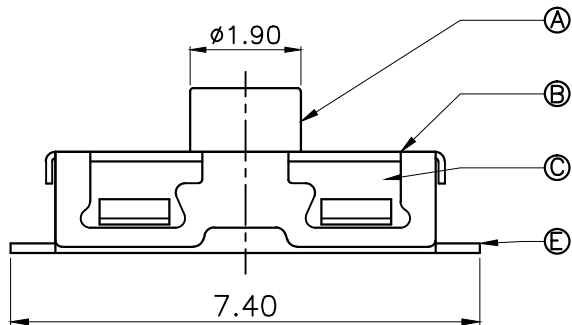
RoHS



PCB Layout (Pattern Side)

SHRAPNEL	
CODE	MATERIAL/QTY
D2	SUS/1PCS
D4	SUS/2PCS

OPERATING FORCE	
CODE	VIGOR
B2	180±30gf
B3	250±30gf



NO.	Name	Number	Qty	Materil	Remarks
⑤	Terminal		2	Phosphor Bronze	Silvering
④	Contact		1	SUS	Silver covered
③	Base		1	PPA	Black
②	Cover		1	SUS	Nickel plated
①	Knob		1	Silica gel	Black

**YUANDI®** Yuandi Electronics Co, Ltd

design	date	name	TACT SWITCHS
Review	date	name	TS-1089-B□D□
Approved	date	name	

Drawing number: Proportion 1:1 unit mm gage number A4

modify Review Approved Tolerance not specified

angle ±2'  
10~30 ±0.30  
5~10 ±0.20  
~ 5 ±0.10