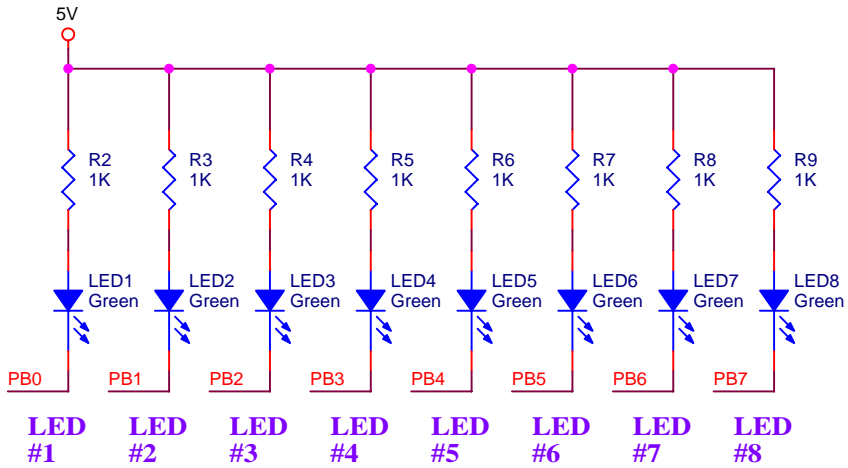
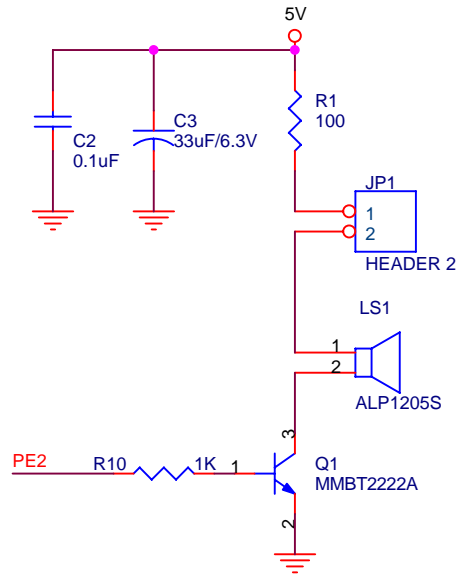


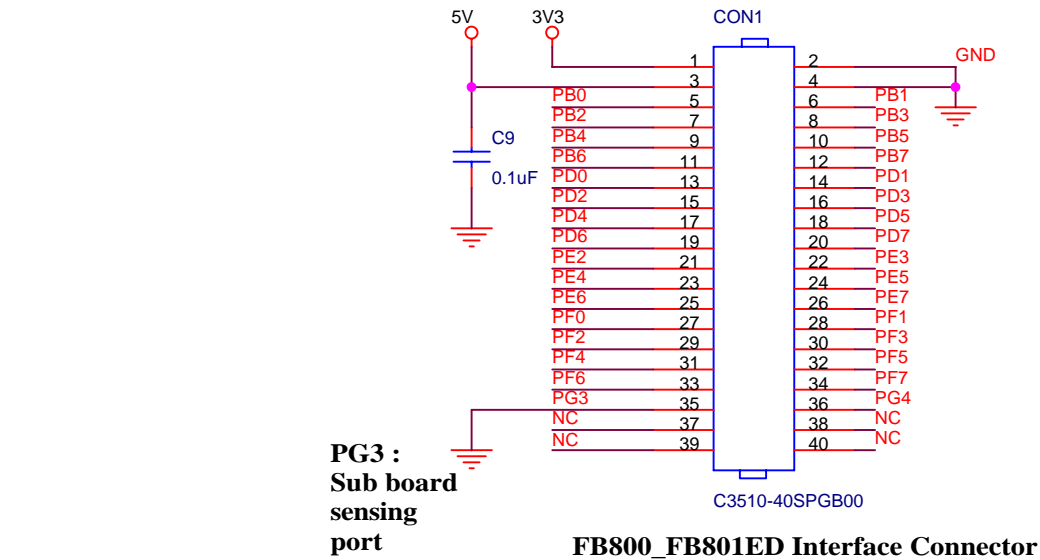
# Firmtech [FB80xED\_switch]V1.2



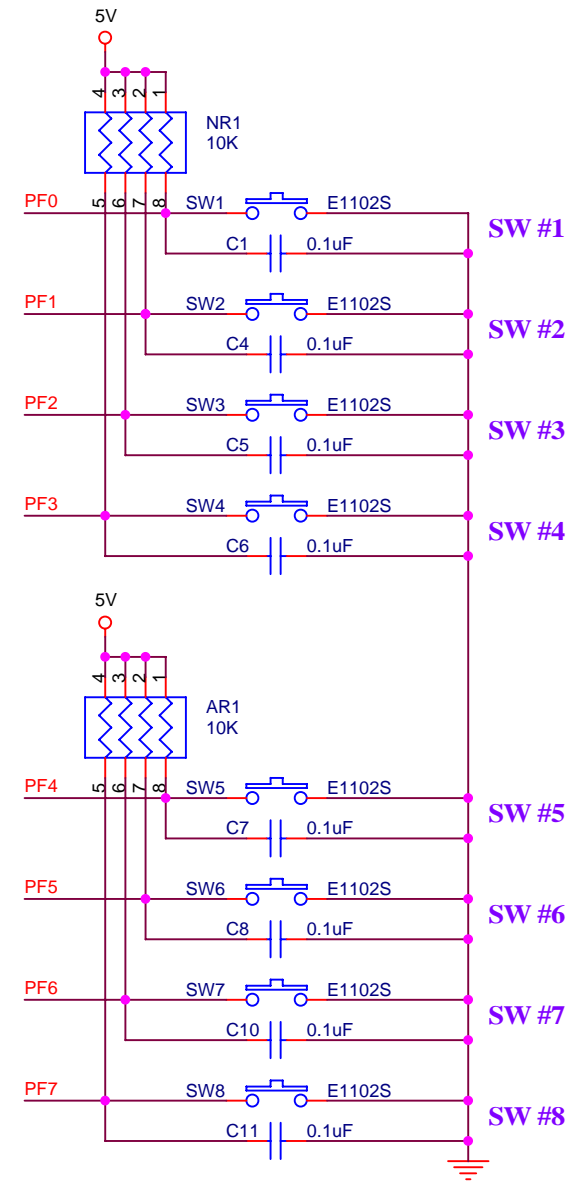
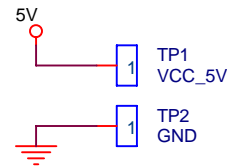
**LAMP Indicator Part**



**Buzzer Part**



**FB800\_FB801ED Interface Connector**



**Switch Part**

Firmtech co., Ltd

Title		
FB80xED 스위치/램프 데모보드		
Size	Document Number	Rev
	CustomFB80xED_switch V1.0	1.0
Date:	Friday, August 14, 2009	Sheet 1 of 1