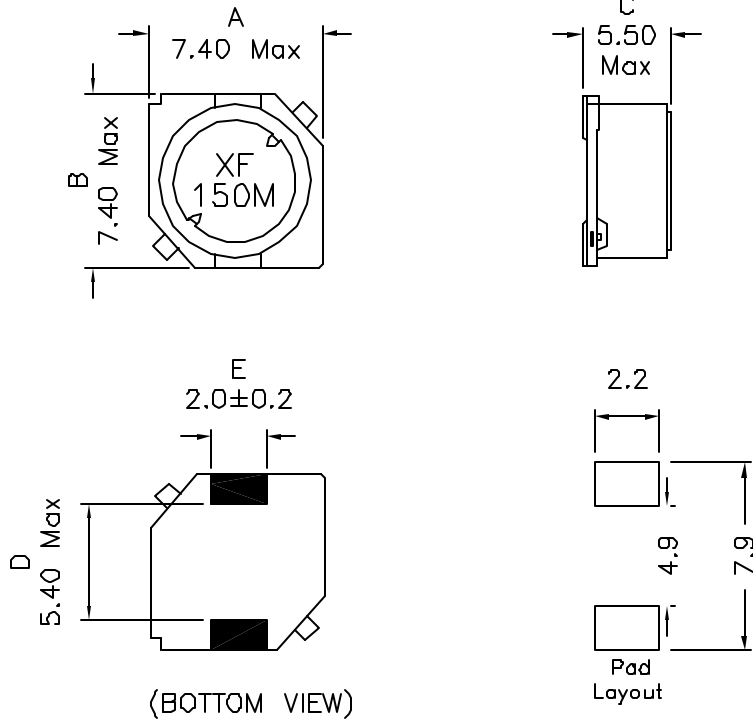
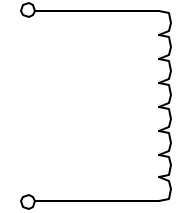


### 1. Mechanical Dimensions:



### 2. Schematic:



### 3. Electrical Specifications: @25°C

OCL: 15uH±20% @1KHz 0.5V

DCR: 0.080 Ohms Max

Rated Current: 1.39Adc Max

Notes:

1. Solderability: Leads shall meet MIL-STD-202G, Method 208H for solderability.
2. Flammability: UL94V-0
3. ASTM oxygen index: > 28%
4. Insulation System: Class F 155°C. UL file E151556
5. Operating Temperature Range: All listed parameters are to be within tolerance from -40°C to +85°C
6. Storage Temperature Range: -55°C to +125°C
7. Aqueous wash compatible
8. SMD Lead Coplanarity: ±0.004°(0.102mm)
9. Electrical and mechanical specifications 100% tested
10. RoHS Compliant Component

DOC REV: A/1

<b>XFMRs Inc</b> www.XFMRs.com		Title: <b>SMD Inductor</b>	
UNLESS OTHERWISE SPECIFIED TOLERANCES: .xx ±0.30 Dimensions in mm	P/N: XF7455-150M		REV. A
	DWN.	Juan Mao	Jun-04-07
	CHK.	YK Liao	Jun-04-07
Scale 2.5:1 SHT 1 OF 1	APP.	BW	Jun-04-07