

**PLEASE CHECK WWW.MOLEX.COM FOR LATEST PART INFORMATION**

**Part Number:** [0015923080](#)  
**Status:** **Active**  
**Description:** EBBI 50D VT RCPT IDT 80CKT

**Documents:**

[3D Model](#) [RoHS Certificate of Compliance \(PDF\)](#)  
[Drawing \(PDF\)](#)

**Agency Certification**

CSA LR19980  
 UL E29179

**General**

Product Family IDT and Solder Connectors  
 Series [71660](#)  
 Crimp Quality Equipment Yes  
 Product Name EBBI™

**Physical**

Circuits (Loaded) 80  
 Circuits (maximum) 1  
 Color - Resin Black  
 Durability (mating cycles max) 2,000  
 Flammability 94V-0  
 Gender Female  
 Glow-Wire Compliant No  
 Lock to Mating Part None  
 Material - Metal Phosphor Bronze  
 Material - Plating Mating Gold  
 Material - Plating Termination Tin  
 Material - Resin Polyester  
 Number of Rows 2  
 Packaging Type Tray  
 Pitch - Mating Interface (in) 0.050 In  
 Pitch - Mating Interface (mm) 1.27 mm  
 Plating min: Mating (µin) 30  
 Plating min: Mating (µm) 0.75  
 Plating min: Termination (µin) 100  
 Plating min: Termination (µm) 2.5  
 Stackable No  
 Temperature Range - Operating -40°C to +105°C  
 Termination Interface: Style IDT or Pierce  
 Wire Size AWG 30

**Electrical**

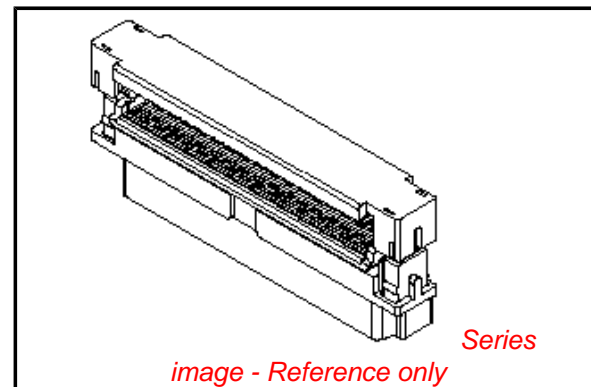
Current - Maximum per Contact 1A  
 Voltage - Maximum 30V

**Material Info**

Old Part Number MS-71660-3080

**Reference - Drawing Numbers**

Sales Drawing SDA-71660-3\*\*\*



**EU RoHS**

**ELV and RoHS Compliant**  
**REACH SVHC**  
 Not Reviewed  
**Halogen-Free Status**  
 Not Reviewed

**China RoHS**



**Need more information on product environmental compliance?**

Email [productcompliance@molex.com](mailto:productcompliance@molex.com)  
 For a multiple part number RoHS Certificate of Compliance, [click here](#)

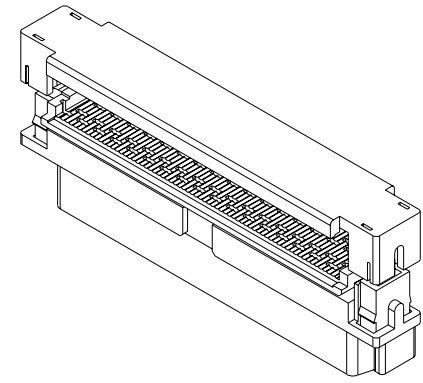
Please visit the [Contact Us](#) section for any non-product compliance questions.

**Search Parts in this Series**  
[71660Series](#)

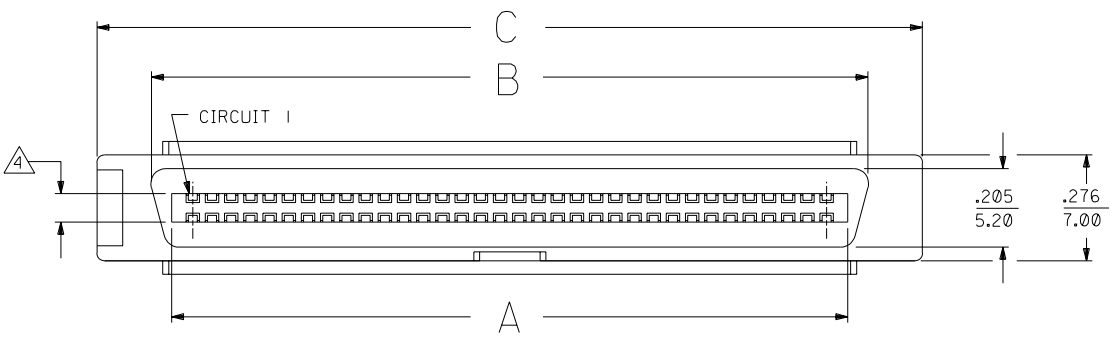
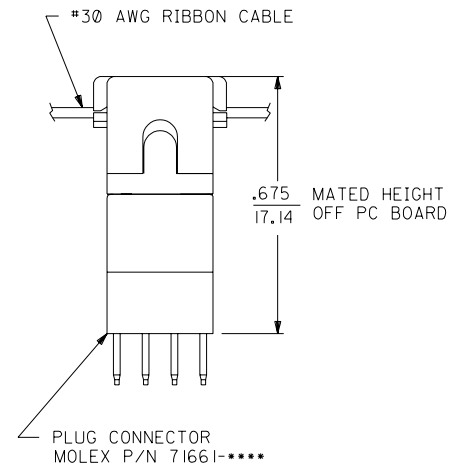
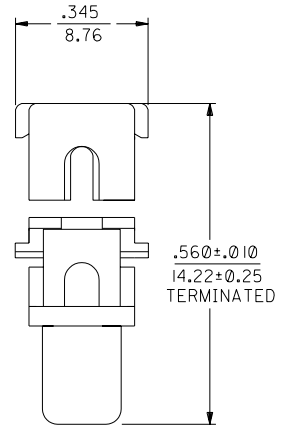
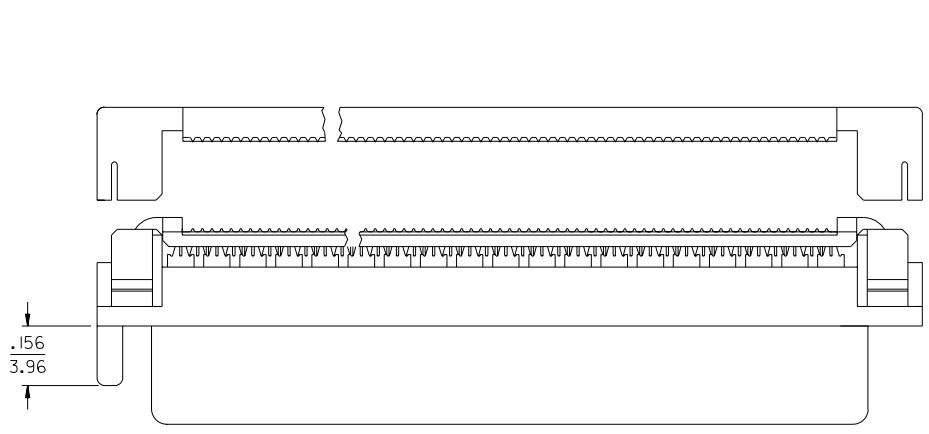
**PLEASE CHECK [WWW.MOLEX.COM](http://WWW.MOLEX.COM) FOR LATEST PART INFORMATION**

NOTES:

- 1) MATERIALS:  
HOUSING- LCP, GLASS FILLED, 94V-0, BLACK.  
ALIGNER, TERMINATION COVER- POLYESTER, GLASS FILLED, 94V-0, BLACK.  
TERMINALS- COPPER ALLOY
- 2) PLATING:  
.000030 INCHES GOLD IN SELECTIVE CONTACT AREA OVER  
.000050-.000100 INCHES NICKEL IN CONTACT AREA.  
.000100-.000200 INCHES TIN IN SOLDER TAIL AREA.
- 3) ASSEMBLY MATES WITH MOLEX P/N SDA-71661-\*\*\*\*.  
CONFORMS TO PRODUCT SPECIFICATION PS-71660.
- 4) CONNECTOR WILL ACCEPT MATING TO A P.C. BOARD WITH  
A THICKNESS OF .062±.003.
- 5) CONNECTOR WILL TERMINATE .025 ¢ FLAT RIBBON CABLE,  
#30 AWG STRANDED OR SOLID, PVC INSULATION.
- 6) PRODUCT IS SHIPPED AS A KIT. THE HOUSING/ALIGNER SUB-ASSEMBLY  
IS SHIPPED TRAY PACKED. THE TERMINATION COVER IS  
SHIPPED BULK PACKED.



68 CIRCUIT AS SHOWN  
SCALE- 2:1



NOTE FOR LEAD FREE CONVERSION:  
THE PRIMARY SHIPPING CARTON WILL BE  
LABELED "COMPLIANT TO ROHS DIRECTIVE  
2002/95/EC AND ELV ANNEX II OF  
DIRECTIVE 2000/53/EC". CARTONS WITHOUT  
THIS LABEL MAY CONTAIN PRODUCT WITH  
LEAD.

J	LEAD FREE CONV ECR UCP2005-0071 RKADAMS 04/07/11
I	REVISE IDT GEOMETRY ECN# UDT2002-013 DMORGAN 02/02/15
H	REVISED PER UDT 2000-1231 ACHAMMER 00/06/07
G	REVISED PER ECN U61587 6-19-96 DGA
F	REVISED PER ECN U60008 7-10-95 RAN
E	REVISED PER ECN U51108 5-5-95 RAN
D	REVISED PER ECN U50872 2-28-95 RAN
C	REVISED PER ECN U50793 2-10-95 RAN
B	REVISED PER ECN U50158 9-4-94 RAN
A	REVISED PER ECN U21513 10-27-92 RAN
I	X-RELEASE PER ECN U21493 10-9-92 RAN

2.445 (62.10)	2.166 (55.02)	2.025 (51.43)	80	015-92-3080	SDA-71660-3080
2.145 (54.48)	1.866 (47.40)	1.725 (43.81)	68	015-92-3068	SDA-71660-3068
1.945 (49.40)	1.666 (42.32)	1.525 (38.74)	60	015-92-3060	SDA-71660-3060
1.695 (43.05)	1.416 (35.97)	1.275 (32.38)	50	015-92-3050	SDA-71660-3050
1.445 (36.70)	1.166 (29.62)	1.025 (26.04)	40	015-92-3040	SDA-71660-3040
1.195 (30.35)	.916 (23.27)	.775 (19.68)	30	015-92-3030	SDA-71660-3030
C	B	A	CKT	EDP NUMBER	ENGINEERING NUMBER

DIMENSIONS SHOWN (METRIC) INCH UNLESS OTHERWISE SPECIFIED TOLERANCES: ANGULAR ± 1/2°		▽ = 0 ◻ = 0 REVISE ONLY ON CAD SYSTEM	
3 PLACE ± .005	INCH	---	METRIC
2 PLACE ± .01	± 0.13		
1 PLACE ---	± 0.25		
DRAWING WHERE APPLICABLE MUST REMAIN WITHIN DIMENSIONS			
DRWG. BY RAN	CHK'D. BY CAB	TITLE SALES ASSEMBLY EBBI VERTICAL IDT RECEPTACLE CONNECTOR	
APPR'D. BY CAB	SCALE 4: 1	FILE NAME 571660X3	SHEET NO. 1 OF 1
SEE TABLE		DATE 8/15/92	
PART NO. SDA-71660-3		MOLEX INCORPORATED U.S.A.	
MFG. SH. REV. LTR. REVISIONS		THIS DRAWING CONTAINS INFORMATION THAT IS PROPRIETARY TO MOLEX INC. AND SHOULD NOT BE USED WITHOUT WRITTEN PERMISSION	