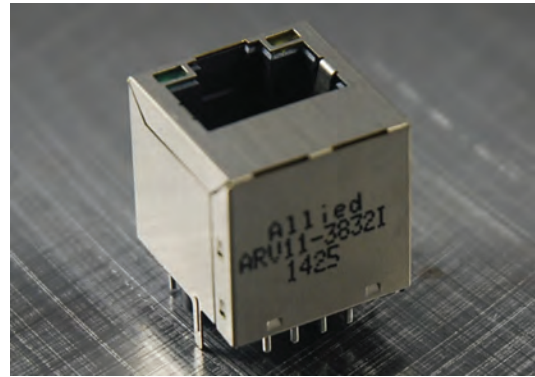




Single Port Vertical Mount RJ45

ARV11-3832I

- 10/100 BaseT PoE for Ethernet Applications
- Impedance: 100OHMS
- RJ45 jack cavity conforms to FCC rules and regulations Part 68, SUB Part F
- Industrial Temp: -40°C to +85°C
- Available in other Circuit Designs
- Optional Gold Plating Thickness



Electrical Specifications @ 25°C

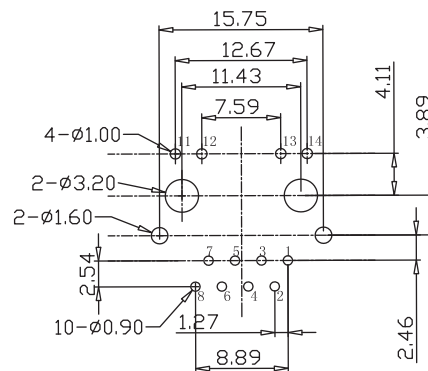
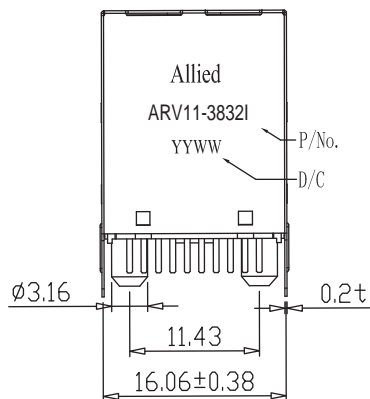
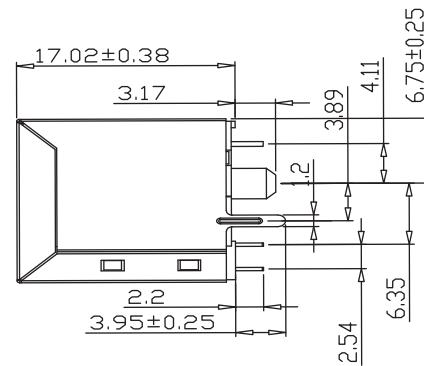
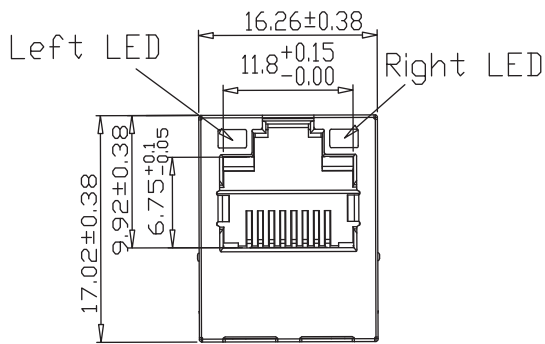
Part Number	OCL(uH Min) @ 100kHz, 0.1V	Turns Ratio chip: cable (±2%)	Insertion Loss (dB Max)		Return Loss (dB Min)		
	With 8mA DC Bias		1-100MHz	1-30MHz	30-60MHz	60-80MHz	
ARV11-3832I	350	1CT:1CT	-1.0	-18	-18-20Log(F/30MHz)	-12	

Electrical Specifications @ 25°C

Cross Talk (dB Min)					CMR (dB Min)					CDMR (dB Min)					HI-POT (Vrms) 1.0mA/3Sec.
0.5-1MHz	10MHz	30MHz	50MHz	100MHz	0.3-1MHz	10MHz	30MHz	60MHz	100MHz	0.3-1MHz	10MHz	30MHz	60MHz	100MHz	
-50	-50	-40	-35	-30	-50	-47	-42	-37	-30	-50	-50	-50	-45	-40	1500

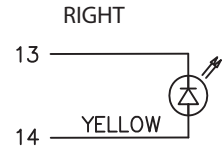
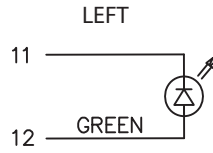
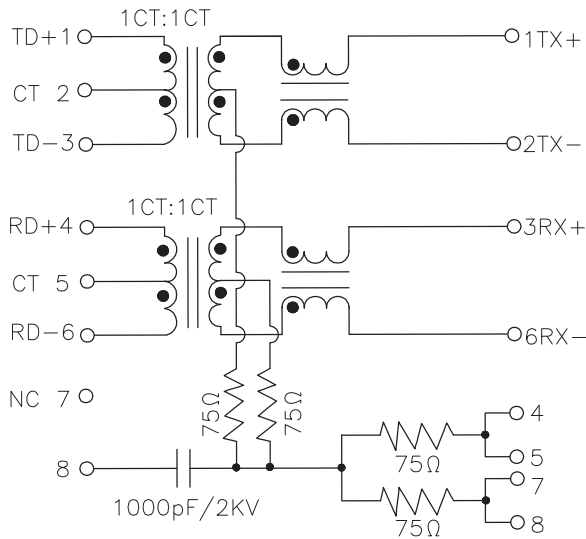
All specifications subject to change without notice.

MECHANICAL





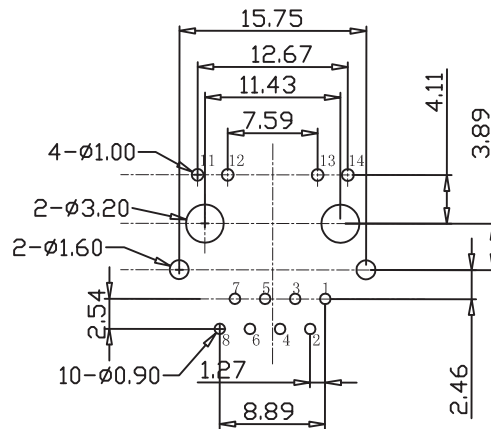
SCHEMATICS



Standard LED	Wavelength	Vf @If=20mA	Ir @Vr=5V
Green	565nm	1.7-2.6 V	10uA max.
Yellow	590nm	1.7-2.6 V	10uA max.

With a forward current of 20mA

PCB LAYOUT



NOTES

1. Shielded - 0.20mm THICKNESS BRASS C2680 H. PLATING NICKEL 20u" min.
2. Housing - Standard Material PA66, Glass Filled Polyester UL94V-0 Standed Color Yellow.
3. RJ Terminal - Plastic: PA66 UL94V-0, Standard Color Yellow. Pin: 0.35mm Thickness Phos-Bronze C5210 EH. Plating: Nickel 40u"~60u" for all and Sn 100% ,and Gold Plating.
4. Input Terminal - Plastic: PA66, Glass Filled, UL94V-0, Standard Color Yellow. Pin: 0.35mm Thickness C5191-H. Plating: Nickel 40u"~60u" for all and Sn 100%.