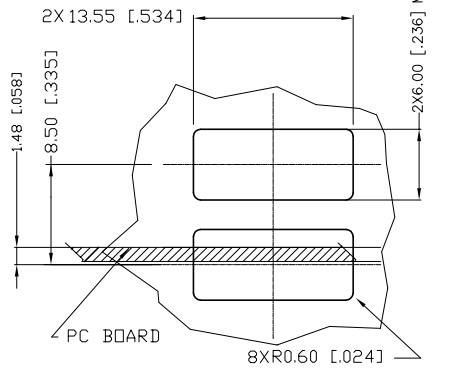
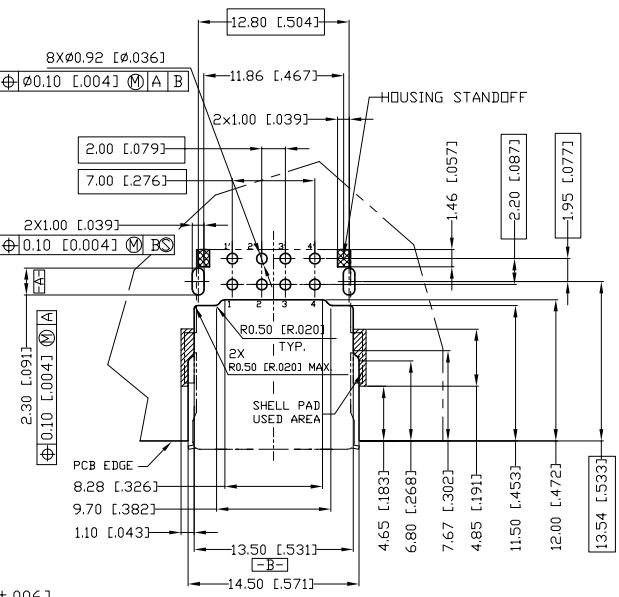
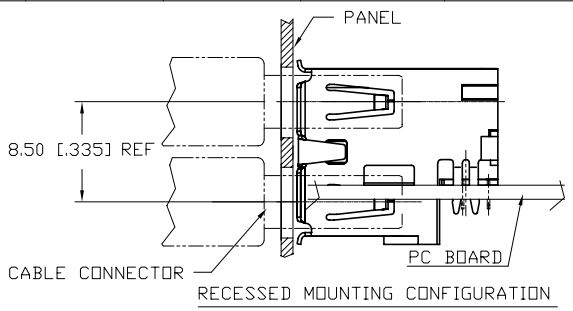
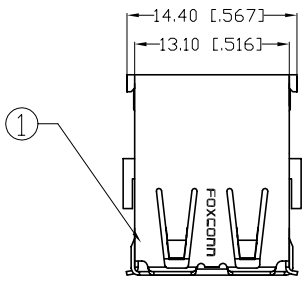
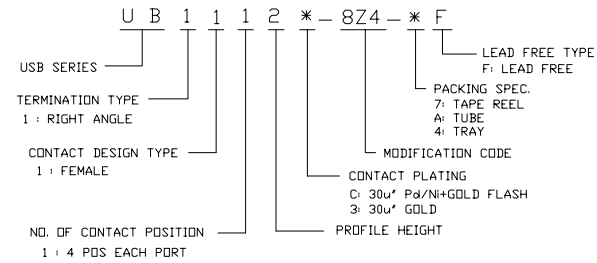
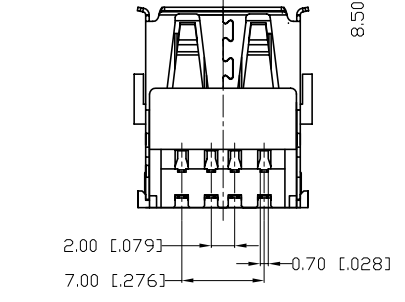
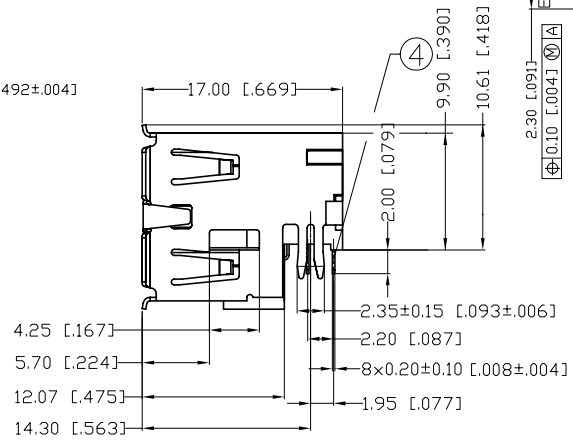
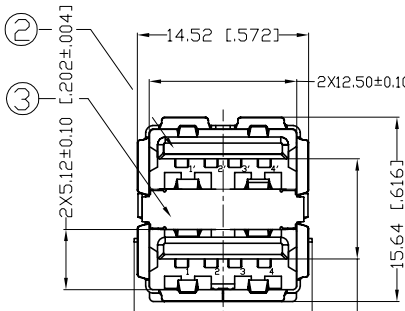


REV.	ECN. NO.	APPD.
A	BC04729306	Hao Gu
B	BC05712284	Hao Gu
C	BC05750651	Hao Gu



DEFAULT TOLERANCE: ±0.05 [0.002]
RECOMMENDED PCB LAYOUT

MOUNTING PANEL CUTOUT (INTERNAL SIDE)



- NOTE:
- MEET USB STANDARD SPECIFICATION.
 - RECOMMENDED PCB THICKNESS: 1.20±0.05 [0.47±.002]
 - PERFORMANCE :
 - ELECTRICAL CHARACTERISTICS :
 - CONTACT CURRENT RATING : 1.5 A.
 - CONTACT RESISTANCE : 30 MILLIOHMS MAX.
 - DIELECTRIC WITHSTANDING VOLTAGE : 500 VAC MIN.
 - INSULATION RESISTANCE : 1000 MEGOHMS MIN.
 - MECHANICAL CHARACTERISTICS :
 - CONNECTOR ENGAGEMENT FORCE : 35N(3.5 Kgf) MAX.
 - CONNECTOR SEPARATION FORCE : 10~35N(1.0~3.5 Kgf).
 - DURABILITY: 1500 CYCLES.
 - OPERATING TEMPERATURE : -55 TO +85°C
 - RECOMMENDED PROCESS: WAVE SOLDERING, PEAK TEMP. 260°C, 3~5 SECONDS.
OR REFLOW SOLDERING, PEAK TEMP. 245°C, 3~5 SECONDS.

ITEM	DESCRIPTION	QTY	MATERIAL	FINISH	REMARK
4	CONTACT	8	COPPER ALLOY	GOLD FLASH OVER Pd/Ni 30u" MIN. PLATED AT CONTACT AREA, SEMI-BRIGHT TIN PLATED AT TERMINATION, NICKEL PLATED OVERALL.	UB1112C-8Z4-*F
				Au 30u" MIN. PLATED AT CONTACT AREA, SEMI-BRIGHT TIN PLATED AT TERMINATION, NICKEL PLATED OVERALL.	UB11123-8Z4-*F
3	FINGER	1	COPPER ALLOY	NICKEL PLATED	
2	INSULATOR	1	HI-TEMP THERMOPLASTIC UL 94V-0	MOLDED BLACK	
1	SHELL	1	COPPER ALLOY	NICKEL PLATED OVERALL, Pd FLASH PLATED AT PADS AND HOOKS	

UNITS	NAME (INTENDED USE)	FOXCONN
× ±	CUSTOMER	HON HAI PRECISION IND. CO., LTD. TAIPEI, TAIWAN, R.O.C.
. × ±	PART NO. (INTENDED USE)	TITLE: STACKED USB A TYPE RECEPTACLE
. × × ±	APPD: Hao Gu 12/31'05	DWG NO: 327-0000-1133
. × × × ±	CHKD: L.S Hu 12/30'05	SCALE SHEET REV. N/A 1/1 C
	DR: H.L Yan 12/29'05	

THESE DRAWINGS AND SPECIFICATIONS ARE THE PROPERTY OF HON HAI PRECISION IND. CO., LTD. AND SHALL NOT BE REPRODUCED, COPIED OR USED IN ANY MANNER WITHOUT THE PRIOR WRITTEN CONSENT OF HON HAI PRECISION IND. CO., LTD.