



LED SPECIFICATION

Part No.: 7511LB7D-SB



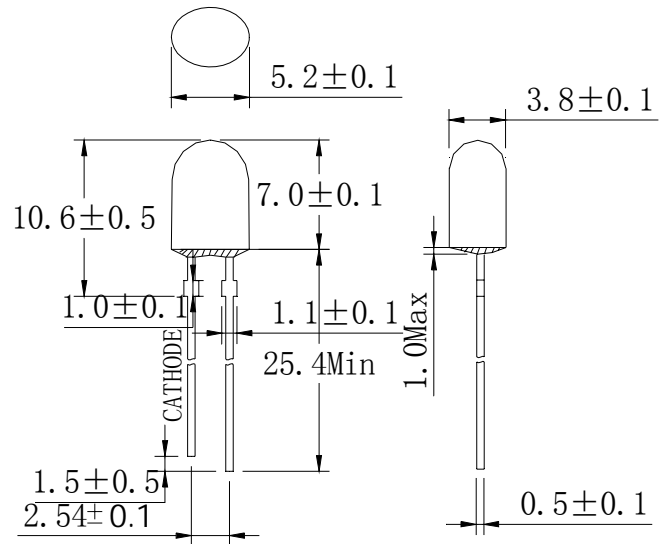
ATTENTION
OBSERVE PRECAUTIONS
FOR HANDLING
ELECTROSTATIC
DISCHARGE
SENSITIVE
DEVICES

Features:

- Single color
- High bright output
- Low power consumption
- High reliability and long life

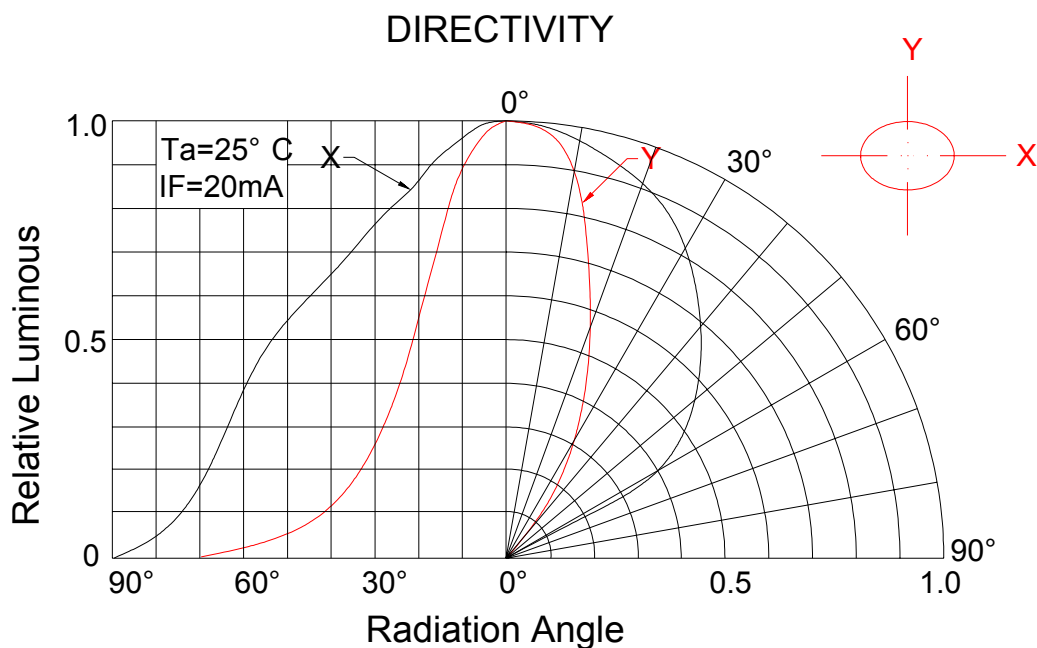
Descriptions:

- Dice material: InGaN
- Emitting Color: Super Bright Blue
- Device Outline: 5.2×3.8mm Oval Type
- Lens Type: Blue Diffused



NOTE:

- All dimensions are millimetres.
- Tolerance is +/-0.25mm unless otherwise noted





LED SPECIFICATION

Part No.: 7511LB7D-SB

Absolute maximum ratings (Ta = 25°C)

Parameter	Symbol	Test Condition	Value		Unit
			Min.	Max.	
Reverse Voltage	V _R	I _R = 30 μA	5	--	V
Forward Current	I _F	----	----	30	mA
Power Dissipation	P _d	----	----	105	mW
Pulse Current	I _{peak}	Duty=0.1mS, 1kHz	----	100	mA
Operating Temperature	T _{opr}	----	-20	+85	°C
Storage Temperature	T _{str}	----	-25	+100	°C

Electrical and optical characteristics (Ta = 25°C)

Parameter	Symbol	Test Condition	Value			Unit
			Min.	Typ.	Max.	
Forward Voltage	V _F	I _F = 20mA	----	3.2	3.5	V
Reverse Current	I _R	V _R = 5V	----	----	30	μA
Dominate Wavelength	λ _d	I _F = 20mA	----	470	----	nm
Spectral Line half-width	Δλ	I _F = 20mA	----	22	----	nm
Luminous Intensity	I _v	I _F = 20mA	----	400	----	mcd
Viewing Angle	2θ 1/2	I _F = 20mA	----	110/50	----	Deg.



LED SPECIFICATION

Part No.: 7511LB7D-SB

Typical electrical/optical characteristic curves:

