



### FEATURES

- 850W output power
- 80 PLUS® Gold efficiency
- 12V main output
- 3.3V or 5V standby output of 20W
- 1U height: 3.20" x 11.00" x 1.57"
- 15.4 Watts per cubic inch density
- N+1 redundancy capable, including hot plugging (up to 4 in parallel)
- Active current sharing on 12V main output; ORing FET
- Overvoltage, overcurrent, overtemperature protection
- Internal cooling fan (variable speed)
- PMBus™ / I<sup>2</sup>C interface
- RoHS compliant

### PRODUCT OVERVIEW

The D1U3CS-W-850-12-HxxC series are 80 PLUS Gold efficiency 850 watt, power factor corrected front end supplies with a 12V main output and a 3.3V (20W) standby. They have active current sharing and up to 4 supplies may be operated in parallel. The supplies may be hot plugged, they recover from overtemperature faults, and have logic and PMBus status signals. Their low profile 1U package and >15W/cubic inch power density make them ideal for delivering reliable, efficient power to servers, workstations, storage systems and other 12V distributed power systems.

### ORDERING GUIDE

Part Number	Power Output	Main Output	Standby Output <sup>1</sup>	Airflow
D1U3CS-W-850-12-HC4C	850W	12V	3.3V	Back to front
D1U3CS-W-850-12-HC3C				Front to back

### INPUT CHARACTERISTICS

Parameter	Conditions	Min.	Nom.	Max.	Units
Voltage Operating Range		90	115/230	264	Vac
Frequency		47	50/60	63	Hz
Turn-on Voltage	Ramp up			90	Vac
Turn-off Voltage	Ramp down		73		
Maximum Current	850W, 100Vac			10	Arms
Inrush Current	Cold start between 0 to 200msec			25	Apk
Power Factor	At 230Vac, full load		0.98		
Efficiency (230Vac) excluding fan load	20% load	88	89		%
	50% load	92	93.5		
	100% load	88	93		

### OUTPUT VOLTAGE CHARACTERISTICS

Output Voltage	Parameter	Conditions	Min.	Typ.	Max.	Units
12V	Voltage Set Point Accuracy	50% load	11.97	12.0	12.02	Vdc
	Line and Load Regulation		11.4		12.6	
	Ripple Voltage & Noise <sup>2</sup>	20MHz Bandwidth			120	mV p-p
	Output Current		0		69.2	
	Load Capacitance				10000	
3.3VSB	Voltage Set Point Accuracy	50% load	3.28	3.3	3.32	Vdc
	Line and Load Regulation		3.13		3.46	
	Ripple Voltage & Noise <sup>2</sup>	20MHz Bandwidth			50	mV p-p
	Output Current		0		6	
	Load Capacitance				350	

<sup>1</sup> For 5vSB, contact Murata Sales for availability.

<sup>2</sup> Ripple and noise are measured with 0.1 μF of ceramic capacitance and 10 μF of tantalum capacitance on each of the power supply outputs. A short coaxial cable with 50Ω scope termination is used.



Available now at  
[www.murata-ps.com/en/3d/acdc.html](http://www.murata-ps.com/en/3d/acdc.html)



OUTPUT CHARACTERISTICS					
Parameter	Conditions	Min.	Typ.	Max.	Units
Output Rise Monotonicity	No voltage excursion				
Start-up Time	AC ramp up		1.5	3	s
Transient Response	12V, 50-100% load step, 0.1A/μs di/dt		150		mV
	5VSB, 50-100% load step, 0.1A/μs di/dt		TBD		
	3.3VSB, 50-100% load step, 0.1A/μs di/dt		165		
Current sharing accuracy (up to 4 in parallel)	At 100% load		2.5	±7	%
Hot Swap Transients	All outputs remain in regulation				
Hold-up Time	At full load	20	25		ms

ENVIRONMENTAL CHARACTERISTICS					
Parameter	Conditions	Min.	Typ.	Max.	Units
Storage Temperature Range		-40		85	°C
Operating Temperature Range		-10		55	
Operating Humidity	Noncondensing	5		90	%
Storage Humidity		5		95	
Altitude (without derating at 45°C)		3000			m
Shock	30G non operating				
Sinusoidal Vibration	0.5G, 5 – 500 Hz				
MTBF	Per Telcordia SR-322 M1C1 @40°C	500K			hrs
Acoustic				55	dB LpAm
Safety Approvals	CSA/UL 60950-1-07-2nd Ed. IEC 60950-1:2005 (2nd Edition) EN 60950-1:2006 +A11 CE Marking per LVD DIRECTIVE 2006/95/EC				
Input Fuse	Power Supply has internal 15A/250V fast blow fuse on the AC line input				
Switching Frequency	90KHz for Boost PFC Converter 130KHz for Main Output Converter				
Weight	3.15lbs (1.43kg)				

PROTECTION CHARACTERISTICS						
Output Voltage	Parameter	Conditions	Min.	Typ.	Max.	Units
12V	Overtemperature (intake)	Autorestart		65		°C
	Overvoltage	Latching	13.2		14.4	V
	Overcurrent	Latching		81		A
3.3VSB	Overvoltage	Latching	3.6		4.0	V
	Overcurrent	Autorecovery		7.4		A

ISOLATION CHARACTERISTICS					
Parameter	Conditions	Min.	Typ.	Max.	Units
Insulation Safety Rating / Test Voltage	Input to Output - Reinforced	3000			Vrms
	Input to Chassis - Basic	1500			Vrms
Isolation	Output to Chassis	500			Vdc

EMISSIONS AND IMMUNITY		
Characteristic	Standard	Compliance
Input Current Harmonics	IEC/EN 61000-3-2	Complies
Voltage Fluctuation and Flicker	IEC/EN 61000-3-3	Complies
Conducted Emissions	FCC 47 CFR Part 15/CISPR 22/EN55022	Class A, 6dB margin
ESD Immunity	IEC/EN 61000-4-2	Level 3 criteria B
Radiated Field Immunity	IEC/EN 61000-4-3	Level 3 criteria B
Electrical Fast Transients/Burst Immunity	IEC/EN 61000-4-4	Level 3 criteria B
Surge Immunity	IEC/EN 61000-4-5	Level 4 criteria B
RF Conducted Immunity	IEC/EN 61000-4-6	Level 3 criteria A
Magnetic Field Immunity	IEC/EN 61000-4-8	3 A/m criteria B
Voltage dips, interruptions	IEC/EN 61000-4-11	230Vin, 100% load, Phase 0°, Dip 100% Duration 10ms (A) 230Vin, 50% load, Phase 0°, Dip 100% Duration 20ms (VSB:A, V1:A) 230Vin, 100% load, Phase 0°, Dip 100% Duration > 20ms (VSB, V1:B)

All specifications are at 25°C ambient, unless otherwise stated.

### OUTPUT CONNECTOR AND SIGNAL SPECIFICATION

DC and Signal Connector: FCI 51721-10002406AA

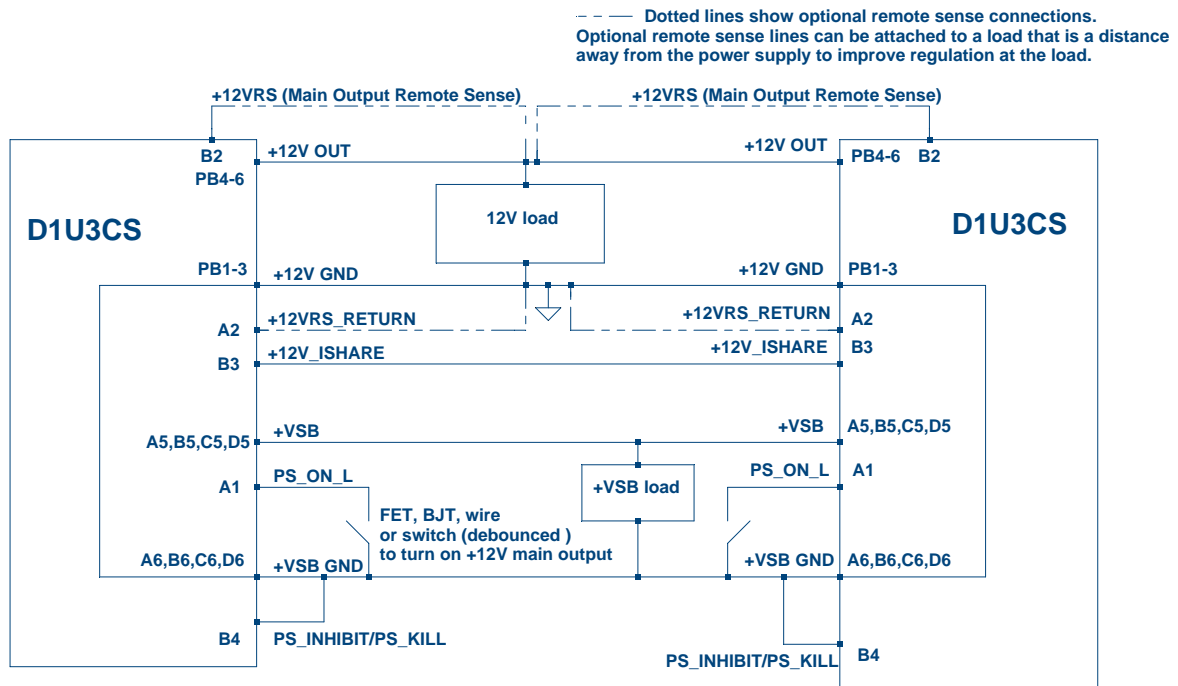
D1	D2	D3	D4	D5	D6	PB1	PB2	PB3	PB4	PB5	PB6
C1	C2	C3	C4	C5	C6						
B1	B2	B3	B4	B5	B6						
A1	A2	A3	A4	A5	A6						

Pin Assignment	Signal Name	Description	Amps per pin
PB1, PB2, PB3	+12V_GND	Main output voltage, return	30
PB4, PB5, PB6	+12V_OUT	Main output voltage	30
A1	PS_ON	Power supply "ON"	N/A
A2	+12VRS_RETURN	Main output remote sense, return	N/A
A3	TEMP_OK	Temperature "OK" signal output	N/A
A4	PS_SEATED	Power supply is plugged into the system	N/A
A5, B5, C5, D5	+VSB	Standby output voltage	2.0
A6, B6, C6, D6	+VSB_GND	Standby output voltage, return	2.0
B1	AC_OK	Input AC voltage "OK" signal output	N/A
B2	+12VRS	Main output remote sense	N/A
B3	+12V_ISHARE	Main output active load sharing bus	N/A
B4	PS_INHIBIT/PS_KILL	Floating pin will turn off the power supply (shorter pin, last-make and first-break contact for hot plugging) . This signal overrides PS_ON in disabling the main output.	N/A
C1	SDA	I <sup>2</sup> C Data line	N/A
C2	SCL	I <sup>2</sup> C Clock line	N/A
C3	PWR_GD	Power good	N/A
C4	FAN_FAIL	Fan failure	N/A
D1	A0	Address line least significant bit	N/A
D2	A1	Address line most significant bit	N/A
D3	S_INT	System interrupt	N/A
D4	NO CONNECTION		N/A

### MATING CONNECTORS

Mating Connector	Press Fit	
	Straight	Right Angle
FCI	TBD	51761-10002406AA

**WIRING DIAGRAM FOR OUTPUT**



**CURRENT SHARING NOTES**

12V Output: Current sharing is achieved using the active current share method. (See wiring diagram for connection details.)

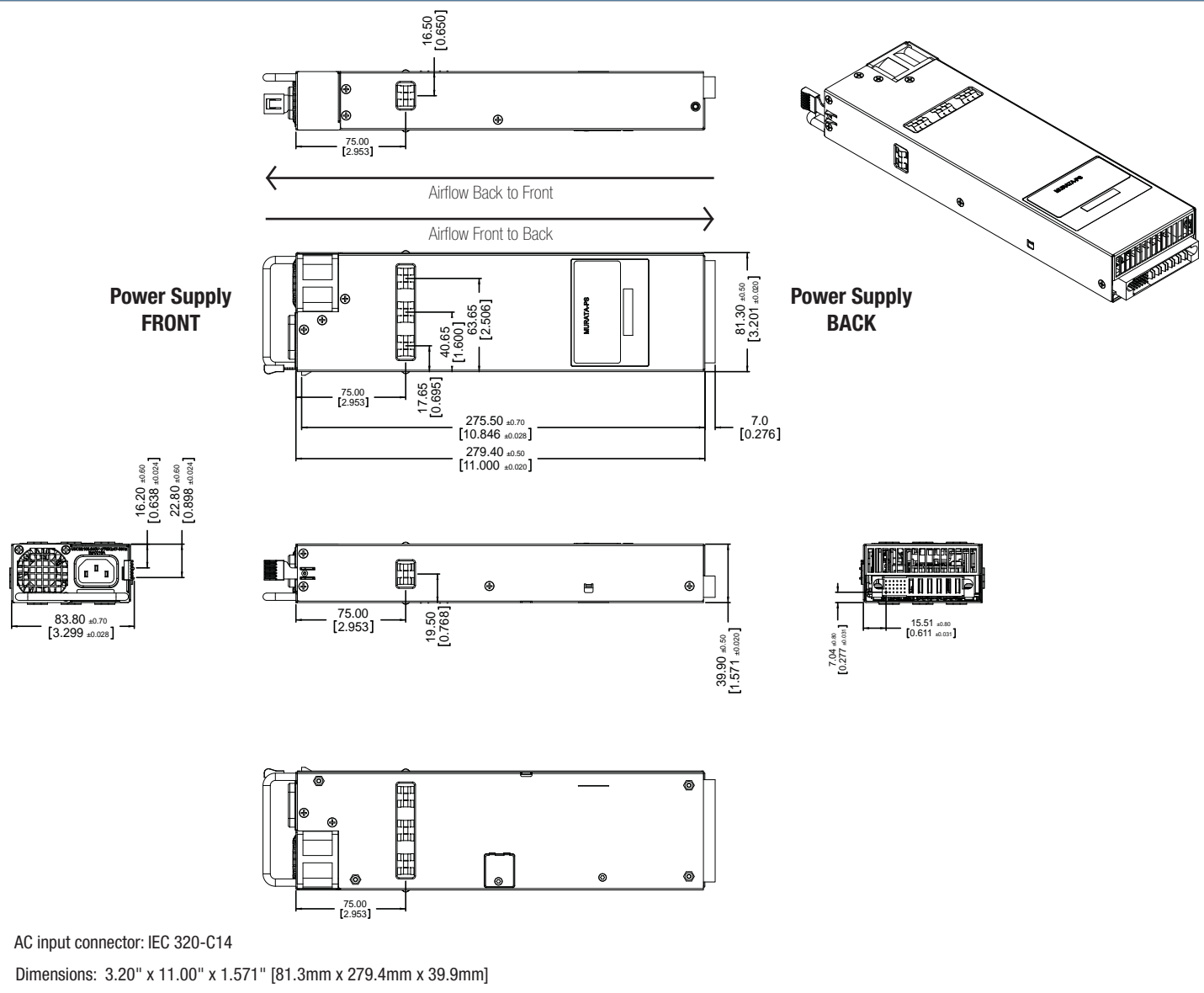
Current sharing can be achieved with or without remote sense connected to the common load.

+VSB outputs can be tied together for redundancy but total combined output power must not exceed 20W. The +VSB output has internal ORing MOSFET for additional redundancy / internal short protection.

The current share pin B3 is a connection between the two units. It is input and/or output as the voltage on the line controls the current share. A power supply will respond to a change in this voltage but a power supply can also change the voltage depending on the load drawn from it. On a single unit this would read 8V at 100% load. For two units sharing load then this should read 4V for perfect current sharing.

Up to 4 units can be paralleled together. Please consult your Murata sales representative if operation with more than 4 units in parallel is needed.

**MECHANICAL DIMENSIONS**



**OPTIONAL ACCESSORIES**

Description	Part Number
12V D1U3CS Output Connector Card	D1U3CS-12-CONC

**APPLICATION NOTES**

Document Number	Description	Link
ACAN-41	D1U3CS Output Connector Card	<a href="http://www.murata-ps.com/data/apnotes/acan-41.pdf">www.murata-ps.com/data/apnotes/acan-41.pdf</a>
ACAN-43	D1U3CS-x Communication Protocol	<a href="http://www.murata-ps.com/data/apnotes/acan-43.pdf">www.murata-ps.com/data/apnotes/acan-43.pdf</a>

Murata Power Solutions, Inc.  
 11 Cabot Boulevard, Mansfield, MA 02048-1151 U.S.A.  
 ISO 9001 and 14001 REGISTERED



This product is subject to the following **operating requirements** and the **Life and Safety Critical Application Sales Policy**:  
 Refer to: <http://www.murata-ps.com/requirements/>

Murata Power Solutions, Inc. makes no representation that the use of its products in the circuits described herein, or the use of other technical information contained herein, will not infringe upon existing or future patent rights. The descriptions contained herein do not imply the granting of licenses to make, use, or sell equipment constructed in accordance therewith. Specifications are subject to change without notice. © 2013 Murata Power Solutions, Inc.