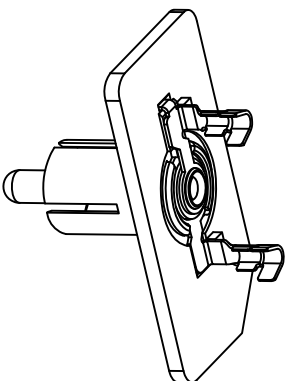
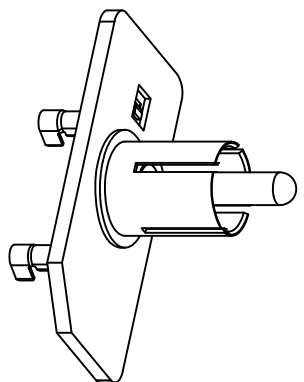
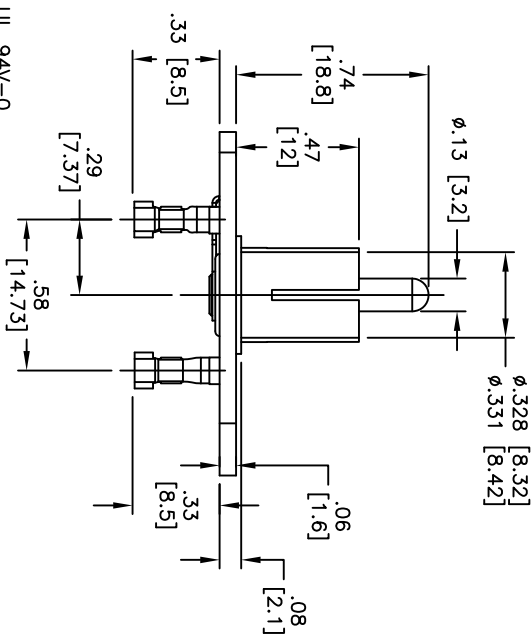
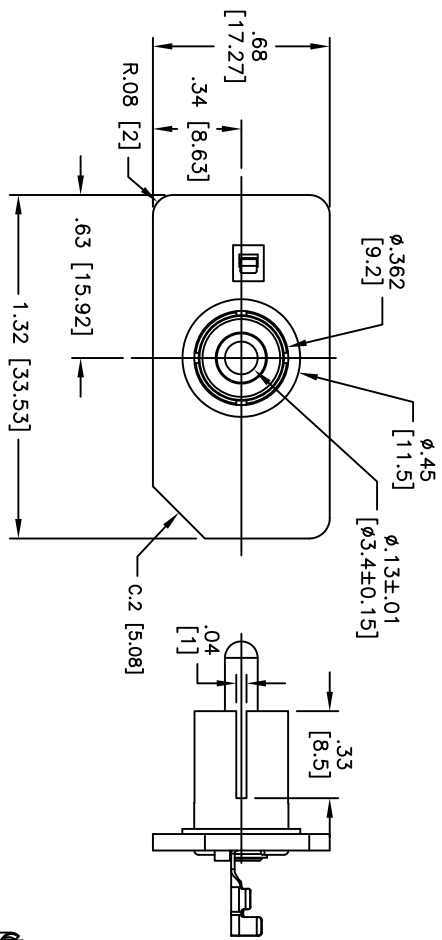


APPROVED: _____ TITLE: _____
 DATE: _____

Rev	AWO #	Description	Date	Appr
1	10205	PRELIMINARY DESIGN	01/05/11	
-	10205	RELEASED FOR PRODUCTION	01/17/11	
A	10205	ADDED RING I.D.	01/18/11	
B	10205	REDRAWN	03/07/11	



SPECIFICATIONS:

- Material: PA9T, rated UL 94V-0
- Insulator color: Black
- Center Pin: Brass, Nickel plated
- Contacts: Brass
- Plating: Tin over Copper underplate
- Electrical: Operating voltage: 50 VDC max. Current rating: 1 Amps max. Contact resistance: 30 mohms max. Insulation resistance: 100 Mohms min. Dielectric withstanding voltage: 500 VAC for 1 minute
- Environmental: Lead free, RoHS compliant
- Recommended soldering temp: 260°C for 5 sec.

UNLESS OTHERWISE SPECIFIED
 ALL DIMENSIONS ARE INCHES [MM]
 TOLERANCES: EXCEPT AS NOTED
 INCHES HOLEES
 .X ± .10 ØXX ± .10
 .XX ± .020 ØXXX ± .015
 .XXX ± .015 ØXXXX ± .010

ADAM TECH
 909 Rahway Avenue, Union, NJ 07083
 Phone: 908-687-5000 Fax: 908-687-5710

A
 Lead free, RoHS compliant
 Recommended soldering temp: 260°C for 5 sec.

DRAWN	DY	1/05/11
CHECKED		
APPROVED		

SIZE	PART NO.	REV.
X	RCP-22-W-1-C5	B
REF:	S0002C	SHEET 1 OF 1
SCALE:	NTS	