

6

5

4

3

2

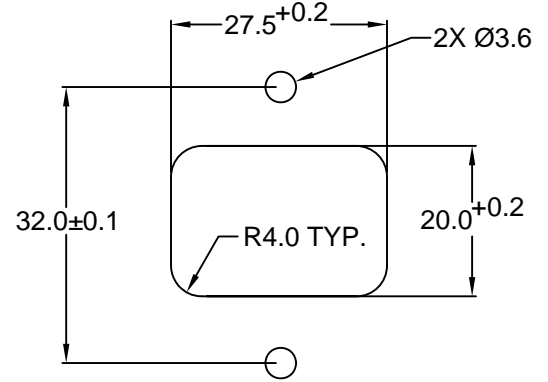
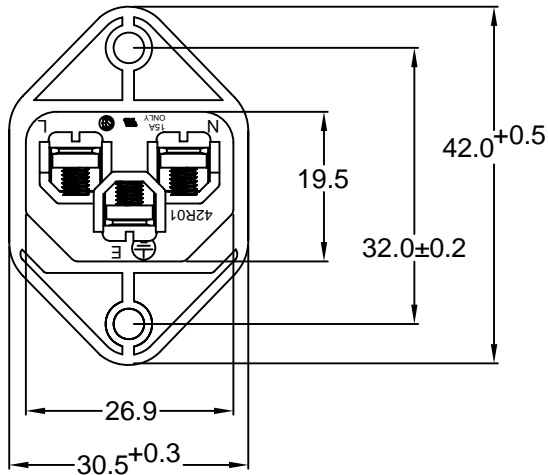
1

MATERIAL AND FINISH:

Insulator: Polycarbonate, UL-94V-0 rated
Contacts: Brass, Nickel plated

ELECTRICAL SPECIFICATIONS:

Current rating: 10 A
Voltage rating: 250 VAC
Current rating: 15 A
Voltage rating: 250 VAC



RECOMMENDED
PANEL CUTOUT

ORDERING CODE:

42R01-2 2
 1 3

1 = COLOR

- 1 = BLACK
- 2 = GRAY

**2 = M3x6.0mm
SCREW TERMINALS**

**3 = ELECTRICAL CIRCUIT
CONFIGURATION**

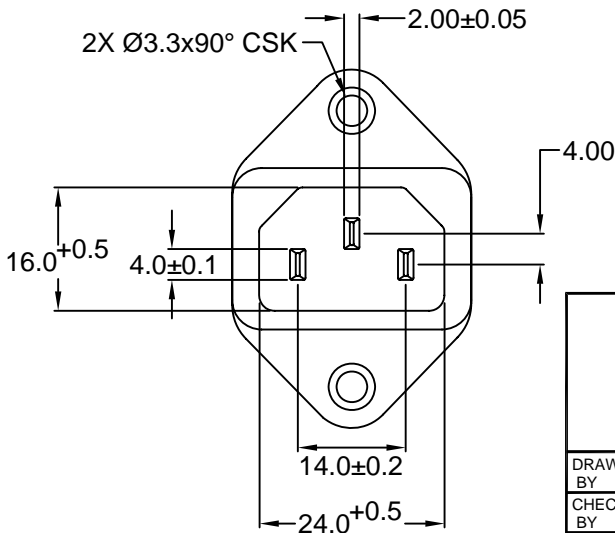
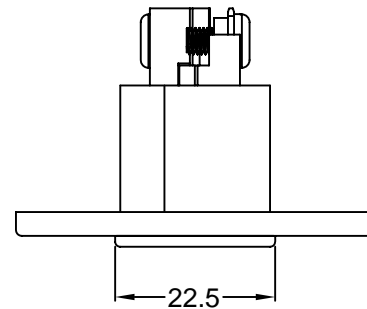
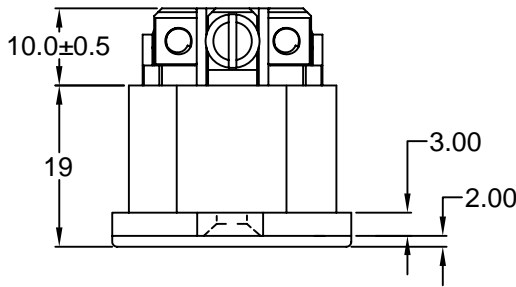
- 1 = 15A 250V 120°C
2+GROUND



- 2 = 15A 250V 70°C
2+GROUND



- 4 = 15A 250V 70°C
2 POLE



RoHS
COMPLIANT

TOLERANCE UNLESS OTHERWISE SPECIFIED			
X	± 1		
X.X	± 0.4		
X.XX	± 0.20		
DRAWN BY	GQ	DATE:	08/07/01
CHECK BY	TD	DATE:	08/14/01
APPR BY	PB	DATE:	08/14/01

Power Dynamics, Inc.

Phone: 973 560-0019 Whippany, New Jersey Fax: 973 560-0076

PART: IEC 60320 C14 APPL. INLET; SCREW
TERMINALS; CROSS FLANGE

42R01-2X2X SHEET 1 of 1

SIZE: A ALL DIMENSIONS FOR REFERENCE ONLY
SCALE: NTS DIMENSIONS ARE IN MILLIMETERS REV:

REV	DATE	CHANGE	CHNG	CHK	APPR

6

5

4

3

2

1