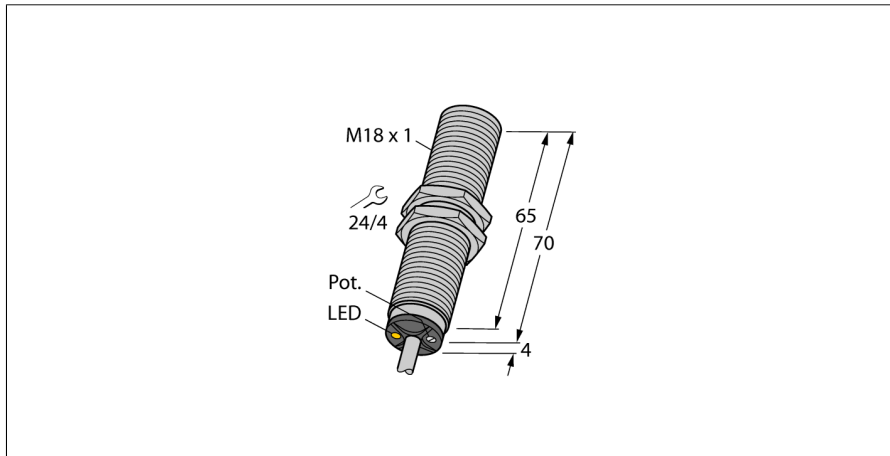
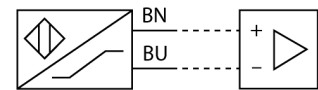


**Capacitive sensor  
with changed NAMUR characteristic  
BC5-M18-Y0X/S918**



- M18 × 1 threaded barrel
- Chrome-plated brass
- Fine adjustment via potentiometer
- Housing is not earthed
- DC 2-wire, nom. 8.2 VDC
- Output acc. to DIN EN 60947-5-6 (NAMUR)
- Cable connection

**Wiring Diagram**



**Functional principle**

Capacitive proximity switches are designed for non-contact and wear-free detection of electrically conductive as well as non-conductive metal objects.

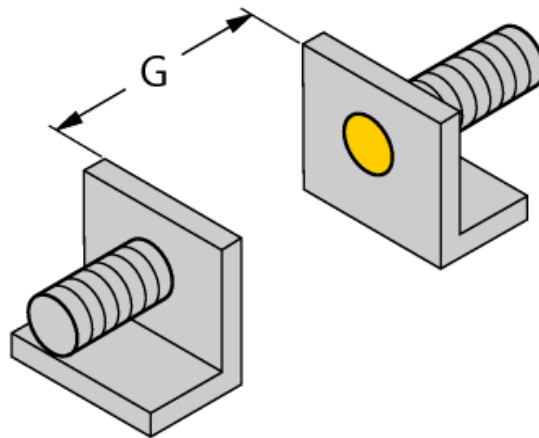
<b>Type designation</b>	BC5-M18-Y0X/S918
Ident-No.	2006030
<b>Rated switching distance (flush)</b>	5 mm
Rated switching distance (non-flush)	5 mm
Secured operating distance	≤ (0.72 × S <sub>n</sub> ) mm
Hysteresis	1...20 %
Temperature drift	type 20 %
Repeat accuracy	≤ 2 % of full scale
Ambient temperature	-25...+70 °C
<b>Voltage</b>	Nom. 8.2 VDC
Current consumption non-actuated	≤ 1.2 mA
Actuated current consumption	≥ 2.1 mA
Switching frequency	0.1 kHz
Output function	2-wire, NAMUR
<b>Design</b>	Threaded barrel, M18 × 1
Dimensions	74 mm
Housing material	Metal, CuZn, Chrome-plated
Active area material	Plastic, PBT-GF30-V0, yellow
Admissible pressure on front cap	≤ 4 bar
Max. tightening torque housing nut	25 Nm
Electrical connection	Cables
Vibration resistance	55 Hz (1 mm)
Shock resistance	30 g (11 ms)
Protection class	IP67
MTTF	448 years acc. to SN 29500 (Ed. 99) 40 °C
Packaging unit	1
<b>Switching state</b>	LED, Yellow

**Capacitive sensor  
with changed NAMUR characteristic  
BC5-M18-Y0X/S918**

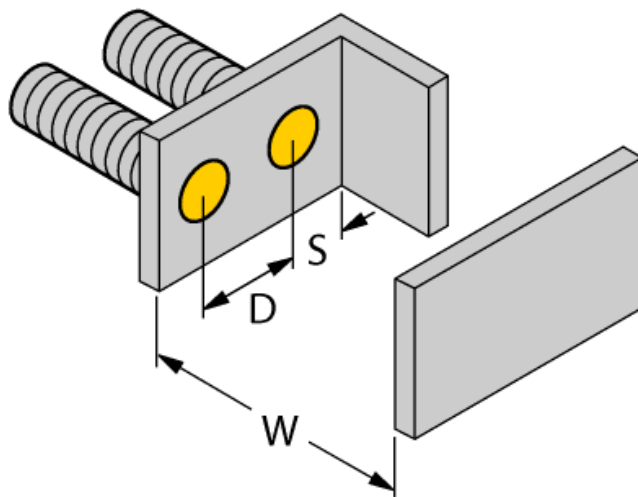
Mounting instructions/Description	minimum distances
Distance D	36 mm
Distance W	15 mm
Distance S	27 mm
Distance G	30 mm

---

<b>Diameter active area B</b>	Ø 18 mm
-------------------------------	---------



The given minimum distances have been checked against the standard switching distance. Should the sensitivity of the sensors be changed via potentiometer, the data sheet specifications no longer apply.



**Capacitive sensor  
with changed NAMUR characteristic  
BC5-M18-Y0X/S918**

**Accessories**

Type code	Ident-No.	Description	
BS-18	69471	Mounting bracket for threaded barrel devices; material: PA66-GF	
BSN 18	69472	Fixing clamp; material: PA66-GF	
BST-18B	6947214	Fixing clamp for threaded barrel devices, with dead-stop; material: PA6	
MAP-M18	6950012	Mounting adapter; material: Polypropylene; sensor replacement with filled container possible (adapter remains in container during sensor replacement)	
IMX12-DI01-2S-2T-0/24VDC	7580020	Isolating switching amplifier, 2-channel; SIL2 acc. to IEC 61508; Ex-proof version; 2 transistor outputs; input Namur signal; ON/OFF switchable monitoring of wire-break and short-circuit; toggle between NO/NC mode; signal doubling; removable screw terminals; 12.5 mm wide; 24 VDC power supply	