



10 dB Fixed Attenuator, N Male To N Female Directional Aluminum Heatsink Black Anodized Body Rated To 50 Watts Up To 18 GHz

TECHNICAL DATA SHEET

PE7019-10

**10 dB Fixed Attenuator, N Male To N Female Directional Aluminum Heatsink Black Anodized Body Rated To 50 Watts Up To 18 GHz**

**Configuration**

Design	Fixed, Directional Attenuator
Connector 1	N Male
Connector 2	N Female
Body Material and Plating	Aluminum Heatsink, Black Anodized

**Electrical Specifications**

Frequency Range, GHz	DC to 18
Impedance, Ohms	50
Attenuation Value, dB	10
Maximum Input Power, Watts	50
Maximum VSWR	1.45:1

**Frequency 1**

Range, GHz	DC to 18
VSWR	1.45:1
Attenuation Accuracy, dB	± 1

**Mechanical Specifications**

**Temperature**

Operating Range, deg C	-65 to +125
------------------------	-------------

**Size**

Length, in [mm]	4.5 [114.3]
Width, in [mm]	3.5 [88.9]
Height, in [mm]	2.65 [67.31]

**Connector 1**

Type	N Male
Connector Specification	MIL-STD-348

**Connector 2**

Type	N Female
Connector Specification	MIL-STD-348

**Compliance Certifications** (visit [www.Pasternack.com](http://www.Pasternack.com) for current document)

RoHS Compliant	Yes
----------------	-----

Click the following link (or enter part number in "SEARCH" on website) to obtain additional part information including price, inventory and certifications: [10 dB Fixed Attenuator, N Male To N Female Directional Aluminum Heatsink Black Anodized Body Rated To 50 Watts Up To 18 GHz PE7019-10](#)

The information contained in this document is accurate to the best of our knowledge and representative of the part described herein. It may be necessary to make modifications to the part and/or the documentation of the part, in order to implement improvements. Pasternack reserves the right to make such changes as required. Unless otherwise stated, all specifications are nominal.





10 dB Fixed Attenuator, N Male To N Female Directional Aluminum Heatsink Black Anodized Body Rated To 50 Watts Up To 18 GHz

TECHNICAL DATA SHEET

PE7019-10

**Plotted and Other Data**

Notes:

Values at 25 °C, sea level

10 dB Fixed Attenuator, N Male To N Female Directional Aluminum Heatsink Black Anodized Body Rated To 50 Watts Up To 18 GHz from Pasternack Enterprises has same day shipment for domestic and International orders. Our RF, microwave and fiber optic products maintain a 99% availability and are part of the broadest selection in the industry.

Click the following link (or enter part number in "SEARCH" on website) to obtain additional part information including price, inventory and certifications: [10 dB Fixed Attenuator, N Male To N Female Directional Aluminum Heatsink Black Anodized Body Rated To 50 Watts Up To 18 GHz PE7019-10](http://www.pasternack.com/10db-fixed-n-female-n-male-50-watts-attenuator-pe7019-10-p.aspx)

URL: <http://www.pasternack.com/10db-fixed-n-female-n-male-50-watts-attenuator-pe7019-10-p.aspx>

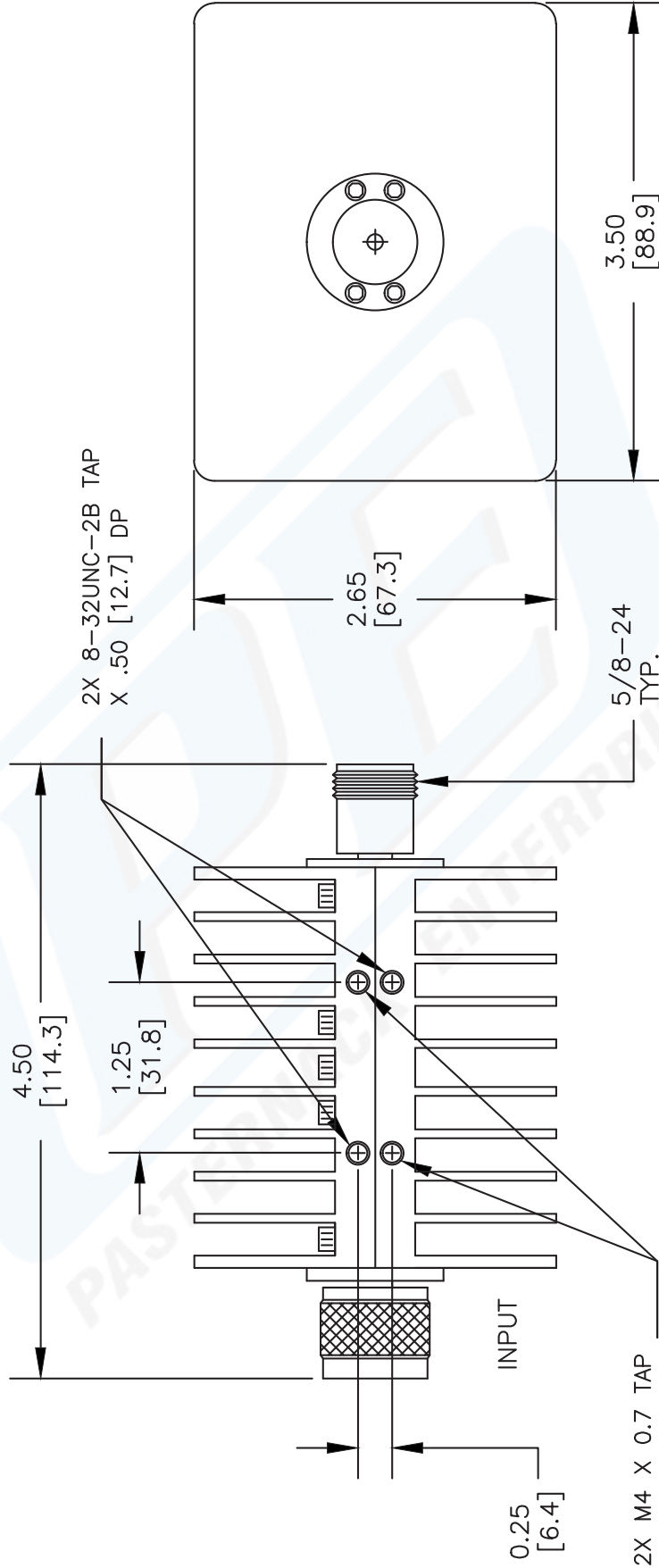
The information contained in this document is accurate to the best of our knowledge and representative of the part described herein. It may be necessary to make modifications to the part and/or the documentation of the part, in order to implement improvements. Pasternack reserves the right to make such changes as required. Unless otherwise stated, all specifications are nominal.



# PE7019-10 CAD Drawing

10 dB Fixed Attenuator, N Male To N Female Directional Aluminum Heatsink Black Anodized Body Rated To 50 Watts Up To 18 GHz

P/N	ATTEN.	FIGURE
PE7019-6	6 dB	1
PE7019-10	10 dB	1
PE7019-20	20 dB	1
PE7019-30	30 dB	1
PE7019-40	40 dB	1



N FEMALE

FIGURE 1

N MALE

NOTES:  
 1. UNLESS OTHERWISE SPECIFIED ALL DIMENSIONS ARE NOMINAL.  
 2. ALL SPECIFICATIONS ARE SUBJECT TO CHANGE WITHOUT NOTICE AT ANY TIME.  
 3. DIMENSIONS ARE IN INCHES [mm].

DWG TITLE  
**PE7019**

**PASTERNAK®**  
 Pasternack Enterprises, Inc.  
 P.O. Box 16759 | Irvine | CA | 92623  
 Phone: (949) 261-1920 | Fax: (949) 261-7451  
 Website: www.pasternack.com | E-Mail: sales@pasternack.com

CAD FILE 022213 SCALE N/A

FSCM NO. 53919

SIZE A 2231