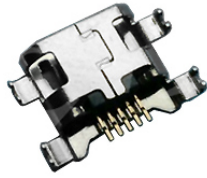
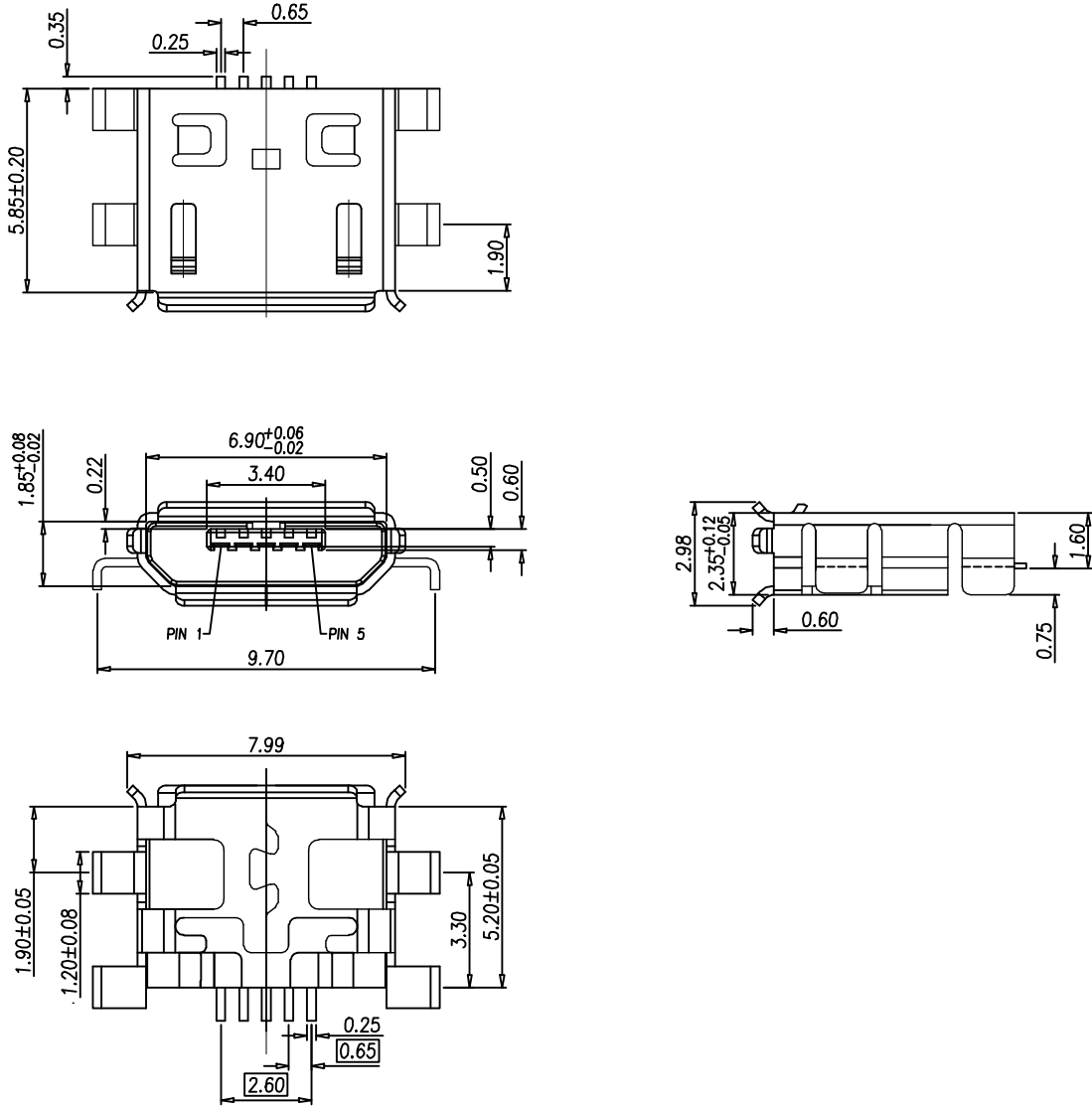


Operation: MICRO-USB



LTEM NO.:MC-109-4P80
(MICRO-USB-CONNECTORS)

Unit:mm



Technical parameter

PROJECT		LEVEL	A [better product]	B [average product]	C [low product]
Electrical Properties	Initial Contact Resistance		30mΩ max.	30mΩ max.	no data!
	Contact Resistance		100mΩ min. 100V DC Skey/PD: 50mΩ min. 100V DC		
	Withstand Voltage		300V AC for 1min	250 V AC for 1min	
Durable Performance	There No Load		10,000 Cycles	6,000 Cycles	no data!
	Rated Load		8,500 Cycles 50mΩ max.	5,000 Cycles 30mΩ max.	no data!
Insertion Force			4.0Kgf MAX (Springback:)		

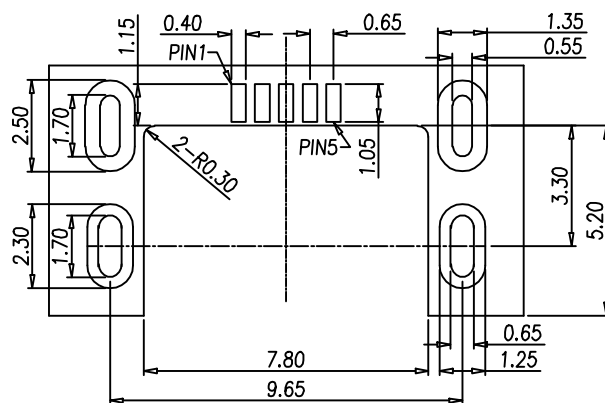
表面貼裝 SMT

側向導入 LATERAL

精密部品 NICETY

可靠 STABILIZE

適合環保 RoHS



PIN Assignment

Material declaration

No.	NAME	Type	Description
①	胶芯	1	LCP 热塑性[Black]
②	接触端子	5	磷铜 C5191(镀金 1u" /焊区雾锡)
③	外壳	1	黄铜 C2680/SPCC[镀镍 50u" min]

本品不屬於危害性廢棄物,須丟棄時可以委託回收商予以回收再生處理。Products do not belong to hazardous waste,When waste can recycling processing

運送時本產品不要直接與水、酸鹼性化學物質接觸,或放置於含有以上氣體環境中,並且需要注意會有滑落、側翻的危險發生;運輸過程中不能有碰撞或者擠壓,須保證溫度與濕度適中[常溫 25°C,濕度在 50°C 以內],不可導致材料變形或氧化。

注記 NOTICE

1. 碩方電子公司擁有最終解釋權; The company reserves the right of final