



Data Sheet

Corporation


 telephone  
 949 252 0522


BACK

Product Category: Filters

Series Number	Package	Description	Last Modified
730	Ceramic LT/W	450 KHz 6 Element	Jan. 01 2008

## Filter FEATURES

- Ultra small size
- 8.0mm profile
- Broadband width
- High selectivity
- 6 element
- RoHS Compliant



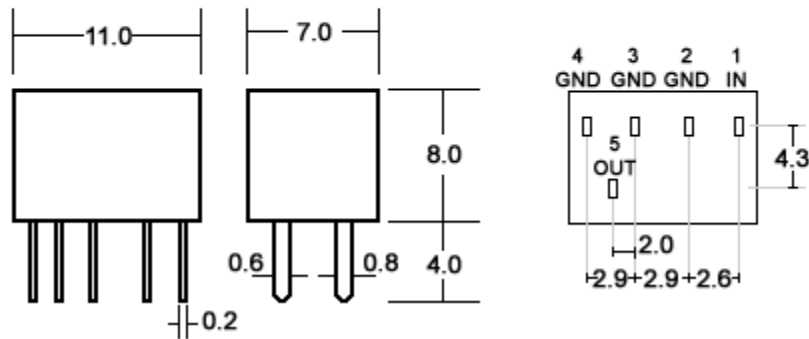
### OPERATING CONDITIONS / ELECTRICAL CHARACTERISTICS / PART NUMBER GUIDE

PART NO.	6dB Bandwidth	50dB Bandwidth	Pass Band Ripple	Spurious Attenuation fn $\pm 100$ KHz	Insertion Loss	In/Output Impedance
	KHz min.	KHz max.	dB max.	dB min.	dB max.	Kohm
<a href="#">730-450-AW</a>	$\pm 17$	$\pm 35$	2	40	4	1
<a href="#">730-450-BW</a>	$\pm 15$	$\pm 30$	2	40	4	1.5
<a href="#">730-450-CW</a>	$\pm 12.5$	$\pm 24$	2	40	4	1.5
<a href="#">730-450-DW</a>	$\pm 10$	$\pm 20$	2	40	4	1.5
<a href="#">730-450-EW</a>	$\pm 7.5$	$\pm 15$	2	40	6	1.5
<a href="#">730-450-FW</a>	$\pm 6$	$\pm 12.5$	2	40	6	2
<a href="#">730-450-GW</a>	$\pm 4.5$	$\pm 10$	2	40	6	2
<a href="#">730-450-HW</a>	$\pm 3$	$\pm 9$	2	40	6	2
<a href="#">730-450-IW</a>	$\pm 2$	$\pm 7.5$	2	40	6	2
<a href="#">730-450-HT</a>	$\pm 3$	$\pm 9$	2	60	6	2

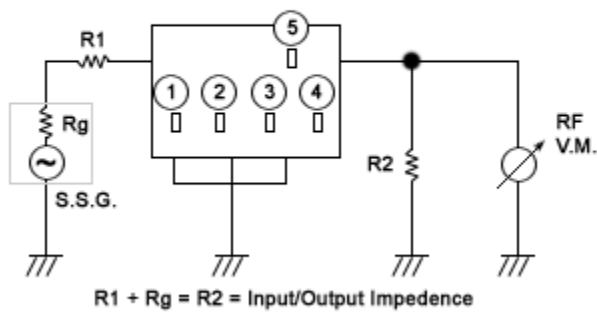
**NOTE:** Deviations on all parameters available. Please consult Oscilent for details.

**DEFINITIONS:** Click on the characteristic names above, for definitions of the particular characteristic.

**PACKAGE DIMENSIONS (mm)**



**Figure 1) Front and Side Views**



**Oscilent Corporation** - CALL **949.252.0522**  
 18195 East McDermott Street . Building D . Irvine . CA 92614 . USA  
 Fax: 949.252.0599 . E-Mail: Sales@Oscilent.com

**Series No.:** 730