

Figure 1

1. INTRODUCTION

HM-Zd Chicklet Removal Tools 1583248-1 (4-pair receptacle) and 1583249-1 (2-pair receptacle) (shown in Figure 1) are designed to be used in conjunction with HM-Zd Receptacle Removal Tools 1583224-[] to remove HM-Zd receptacles from the printed circuit (pc) board.

After using the receptacle removal tool to remove the housing from the pc board, the chicklet removal tool is used to remove individual chicklets from the pc board. Read and understand these instructions before using any of the removal tools.

NOTE



Dimensions in this instruction sheet are in millimeters [with inches in brackets]. Figures are not drawn to scale.

Reasons for reissue of this instruction sheet are provided in Section 6, REVISION SUMMARY.

2. DESCRIPTION

The removal tool features legs which protrude into and around an individual chicklet of the receptacle enabling the chicklet to be removed from the pc board.

3. REMOVAL

1. Refer to instruction sheet 408-8644, and remove the housing from the pc board.
2. Position the tool over the chicklet to be removed so that the rear leg is aligned with the back of the chicklet, the front leg is aligned to enter between

the contact beam and the plastic part of the chicklet, and the middle leg is aligned with the latch of the chicklet. See Figure 2.

3. Press down *evenly* on the tool until the rear leg bottoms on the pc board.
4. *Gently* rock the tool toward the front of the chicklet, creating interference (the chicklet will pivot out slightly).

NOTE



DO NOT try to pull the chicklet straight off of the pc board; otherwise, the tool will slip off of the chicklet.

5. Continue to rock the tool back-and-forth until the chicklet has lifted from the housing.

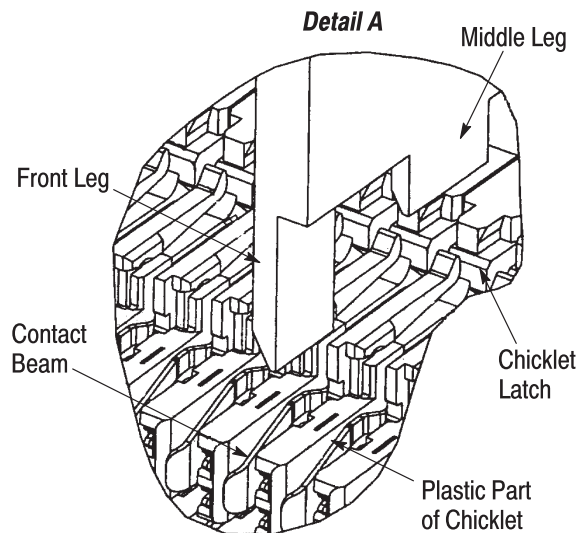
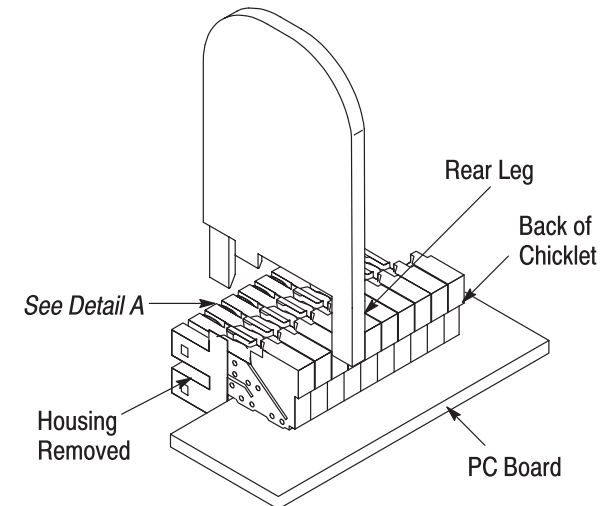


Figure 2

6. Discard the chicklet.

4. MAINTENANCE AND INSPECTION

4.1. Daily Maintenance

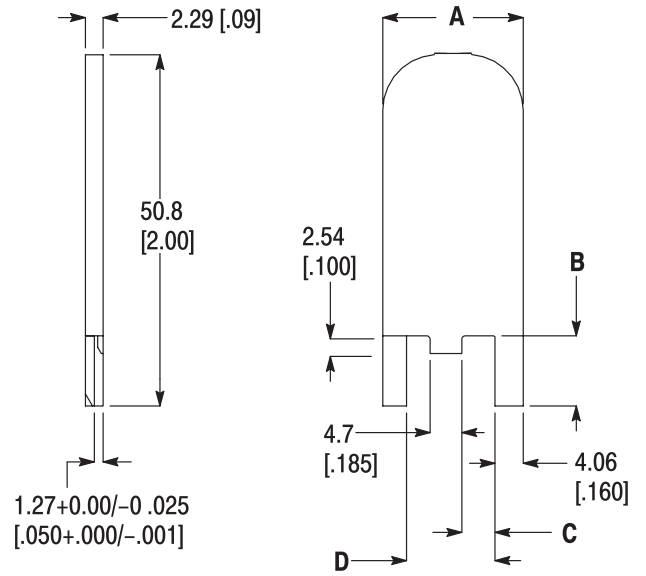
It is recommended that each operator be made aware of, and responsible for, the following steps of daily maintenance:

1. Remove dust, moisture, and other contaminants with a clean, soft brush, or lint-free cloth. DO NOT use objects that could damage the tool.
2. When the tool is not in use, store it in a clean, dry area.

4.2. Periodic Inspection

It is recommended that the tool be inspected using Figure 3 immediately upon its arrival to ensure that it has not been damaged during shipment.

Regular inspections should be performed by quality control personnel. A record of scheduled inspections should remain with the tool or be supplied to personnel responsible for the tool. The inspection frequency should be based on the amount of use, working conditions, operator training and skill, and established company standards.



TOOL	DIMENSION			
	A	B	C ±0.025 [.001]	D ±0.025 [.001]
1583248-1	29.7 [1.17]	10.2 [.400]	14.2 [.560]	21.7 [.856]
1583249-1	20.3 [.80]	6.35 [.250]	5.38 [.212]	12.8 [.502]

Figure 3

5. REPLACEMENT AND REPAIR

Order removal tools through your representative, or call 1-800-526-5142, or send a facsimile of your purchase order to 717-986-7605, or write to:

CUSTOMER SERVICE (038-035)
 TYCO ELECTRONICS CORPORATION
 PO BOX 3608
 HARRISBURG PA 17105-3608

For customer repair service, call 1-800-526-5136.

6. REVISION SUMMARY

Revisions to this instruction sheet include:

- Updated document to corporate requirements