

## Features

- 50 kA max. discharge current rating
- Multi-pole uni-block design
- DIN Rail mountable
- UL 60691 compliant integrated thermal disconnect
- Visual fault indicator
- Remote signalling capability
- Compact design ideal for limited spaces
- Standards compliance: CE, RoHS, UL, IEC
- RoHS compliant\*

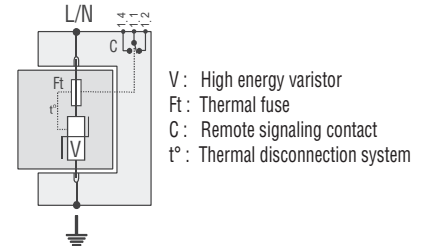
## 1250 Series General Duty AC Surge Protective Device

### General Information

The Bourns® Model 1250 Series is a general duty Surge Protective Device (SPD) designed to protect high risk electrical service entrance and branch panels. This SPD is intended to be installed at the front end of the installation, in the main switchboard, close to sensitive terminals or in installations without LPS (lightning rods).

The Model 1250 Series is a single-pole module that can be configured for both common mode and differential mode protection in single and three phase applications up to 480 V.

### Electrical Diagram



### Electrical Characteristics

Characteristic	Model No.			
	1250-xS-120	1250-xS-230	1250-xS-400	1250-xS-480
AC Network	120/240 V, 120/208 V	220/380 V, 240/415 V	220/380 V, 277/480 V, 347/600 V	347/600 V, 480 V
Connection Mode	1-Pole, L-N or L-G			
AC System	IT, TT, TN, Single, Split Phase, Delta, Wye			
Max. Operating Voltage (MCOV)	150 V	275 V	420 V	550 V
TOV Withstand	230 V	440 V	440 V	770 V
Leakage Current at Uc	< 1 mA			
Follow Current	None			
UL Nominal Discharge Current (In) 15 Impulses 8/20 μs	20 kA			
Max. Discharge Current (I <sub>max</sub> ) 1 Impulse 8/20 μs	50 kA			
UL Voltage Protection Rating (VPR)	700 V	1000 V	1200 V	1800 V
Protection Level (Up)	0.9 kV	1.25 kV	1.8 kV	2.5 kV
UL Short-Circuit Current Rating (SCCR)	100kAIC			

### General Characteristics

Characteristic	Model No.			
	1250-xS-120	1250-xS-230	1250-xS-400	1250-xS-480
Thermal Disconnect	UL 60691			
Overcurrent Protection	Time Delay - 125 A Max.			
Connection	By Screw Terminals, #6 AWG Max.			
Dimensions	90 x 18 x 67 mm / (3.543 x 0.709 x 2.638 In.)			
Mounting	DIN Rail, 35 mm Symmetrical			
Remote Signal Indicator	250 Vac Max., 2 A			
Enclosure Material	Thermoplastic UL 94V0			

### Environmental Characteristics

Characteristic	Model No.			
	1250-xS-120	1250-xS-230	1250-xS-400	1250-xS-480
Operating Temperature	-50 °C to +85 °C			
Operating Altitude	13,000 ft. (4,000 m)			
Relative Humidity	5 to 95 % Non-condensing, up to 100 % External			
Environmental Rating	IP 20			

\*RoHS Directive 2002/95/EC Jan. 27, 2003 including annex and RoHS Recast 2011/65/EU June 8, 2011.  
 Specifications are subject to change without notice.

The device characteristics and parameters in this data sheet can and do vary in different applications and actual device performance may vary over time.  
 Users should verify actual device performance in their specific applications.

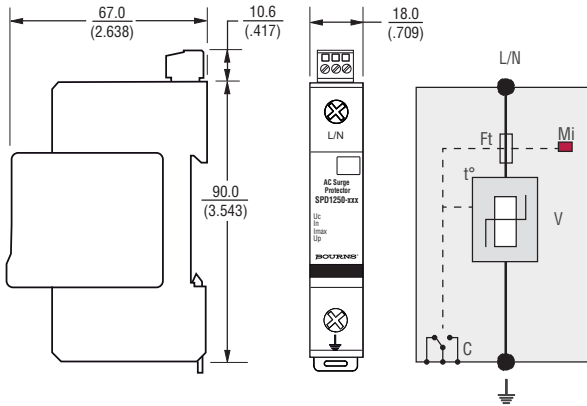
# Applications

- Electrical service entrance
- Branch panels

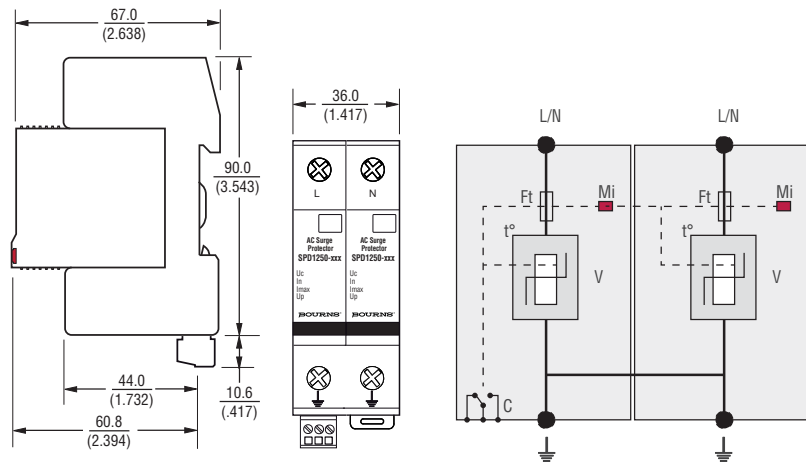
## 1250 Series General Duty AC Surge Protective Device **BOURNS®**

### Product Dimensions and Schematics

#### 1250-1S-xxx

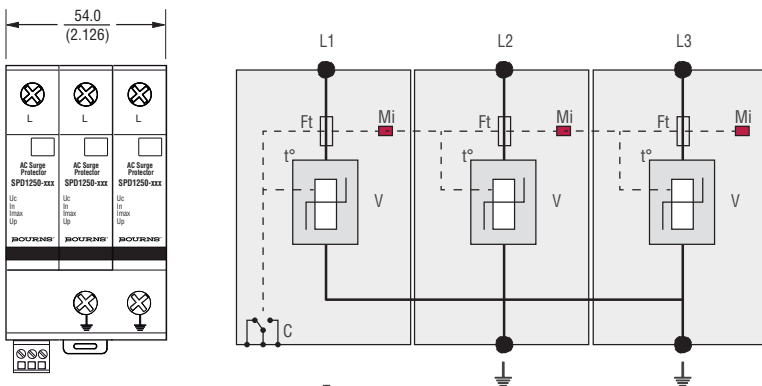


#### 1250-2S-xxx



DIMENSIONS:  $\frac{\text{MM}}{\text{(INCHES)}}$

#### 1250-3S-xxx

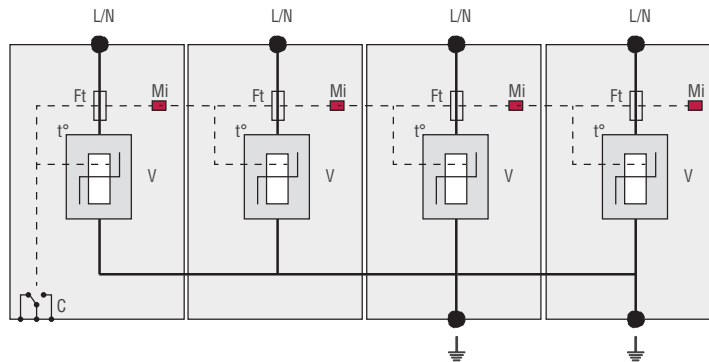
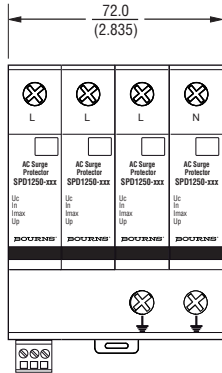


Specifications are subject to change without notice.  
The device characteristics and parameters in this data sheet can and do vary in different applications and actual device performance may vary over time.  
Users should verify actual device performance in their specific applications.

# 1250 Series General Duty AC Surge Protective Device **BOURNS®**

## Product Dimensions and Schematics (Continued)

1250-4S-xxx



DIMENSIONS:  $\frac{\text{MM}}{\text{(INCHES)}}$

### Standards Compliance

IEC61643-1 - International ..... Class I, Class II  
 EN 61643-11 - Europe ..... Class I, Class II  
 NF EN 61643-11 - France ..... Class I, Class II  
 UL1449 3rd Edition - USA ..... Type 4, Type 2 Location  
 UL1449 3rd Edition - Canada ..... Type 4, Type 2 Location  
 CSA C22.2 No. 8-M1986 ..... Class 9091 32, Class 9091 92  
 RoHS ..... RoHS Directive 2002/95/EC  
 Jan. 27, 2003 including annex and  
 RoHS Recast 2011/65/EU June 8, 2011

### How To Order

Series \_\_\_\_\_ **1250 - x S - xxx**  
 Configuration \_\_\_\_\_  
 1 = One Protected Pole  
 2 = Two Protected Poles  
 3 = Three Protected Poles  
 4 = Four Protected Poles  
 Remote Signaling Code \_\_\_\_\_  
 S = Remote Signaling  
 Operating Voltage \_\_\_\_\_  
 120 = 120/240 V, 120/208 V  
 230 = 220/380 V, 240/415 V  
 400 = 220/380 V, 277/480 V, 347/600 V  
 480 = 347/600 V, 480 V

# BOURNS®

**Asia-Pacific:** Tel: +886-2 2562-4117 • Fax: +886-2 2562-4116

**EMEA:** Tel: +36 88 520 390 • Fax: +36 88 520 211

**The Americas:** Tel: +1-951 781-5500 • Fax: +1-951 781-5700

[www.bourns.com](http://www.bourns.com)

REV. 03/15

Specifications are subject to change without notice.

The device characteristics and parameters in this data sheet can and do vary in different applications and actual device performance may vary over time. Users should verify actual device performance in their specific applications.