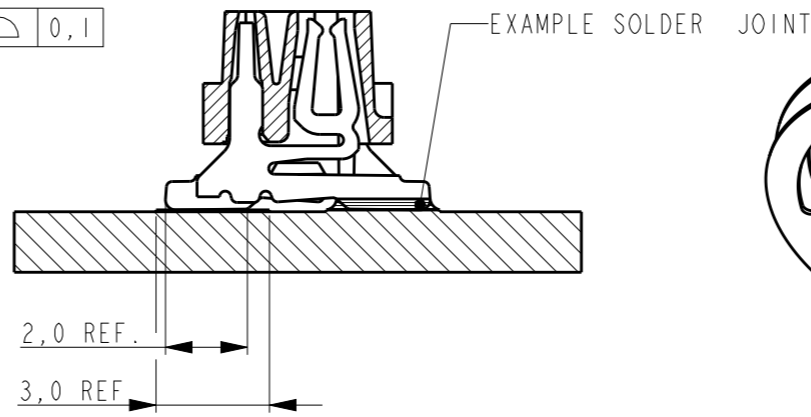
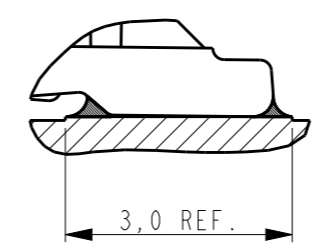
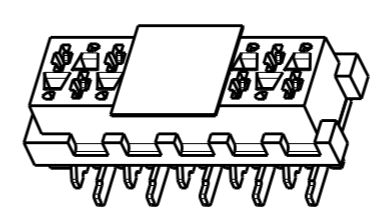
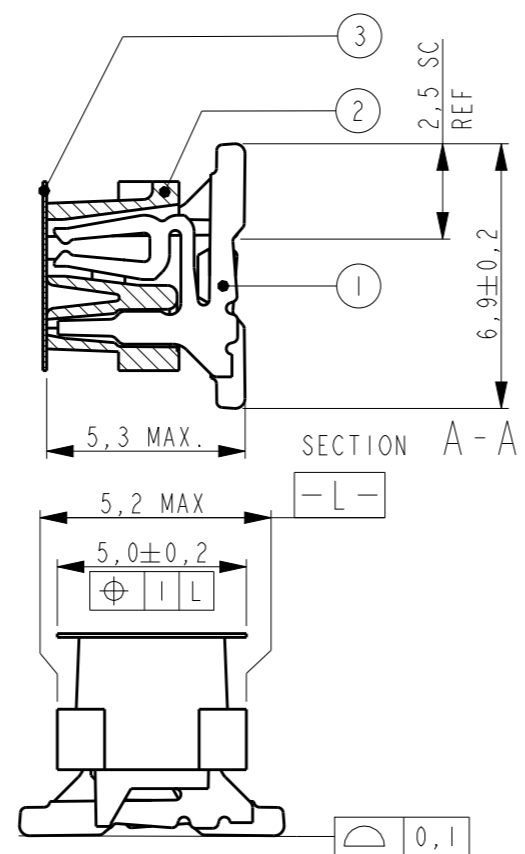
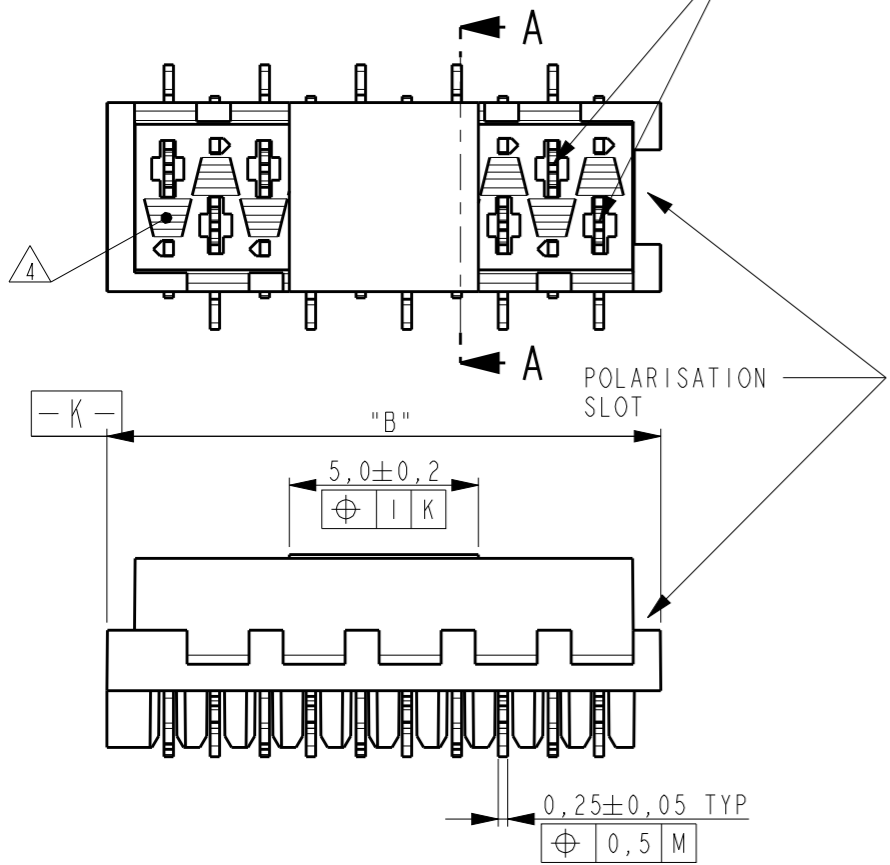


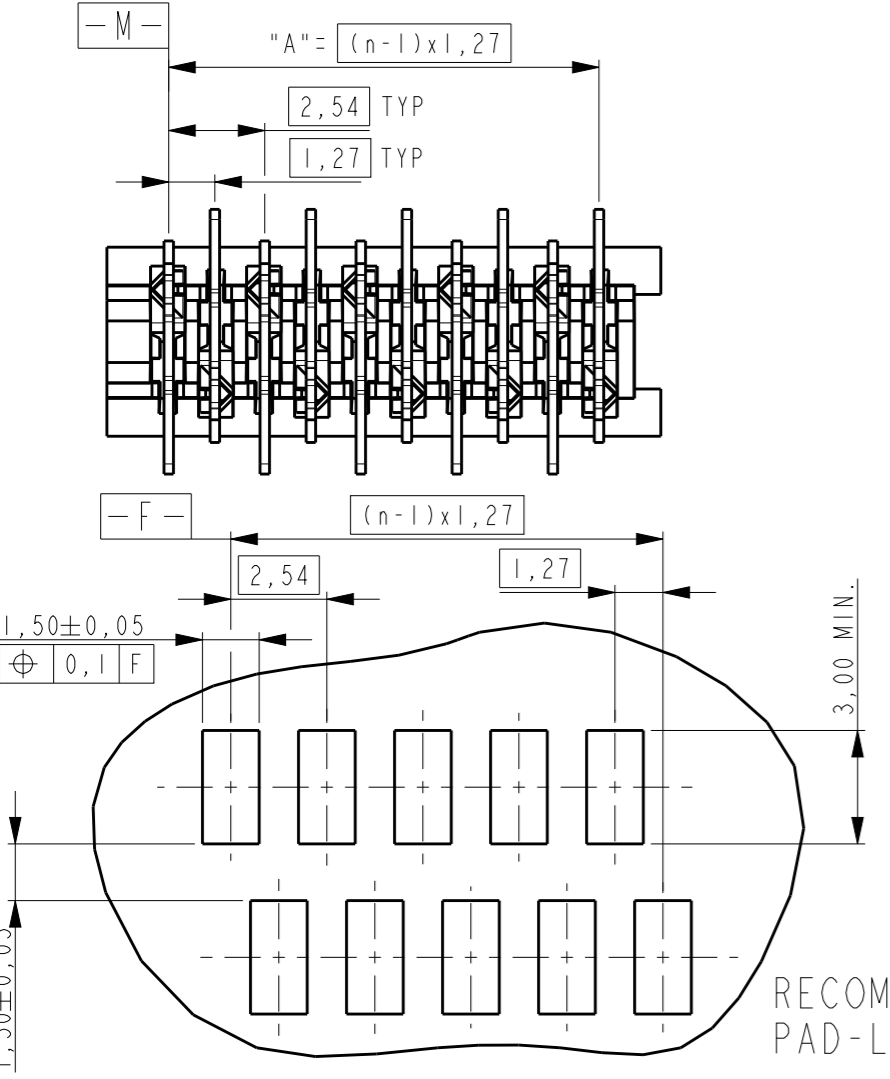
THIS DRAWING IS UNPUBLISHED. RELEASED FOR PUBLICATION
 © COPYRIGHT - ALL RIGHTS RESERVED.

LOC		DIST		REVISIONS						
H		-		P	LTR	DESCRIPTION	DATE	DWN	APVD	
						S2	ADDED NOTE INDICATING POLARISATION SLOT	290CT2012	SP	RP

REFERENCE MATING INTERFACE PATTERN:
 1,27 STAGGERED PITCH x 1,5 ROW-DISTANCE.

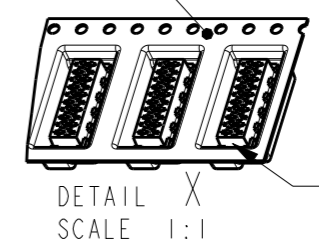
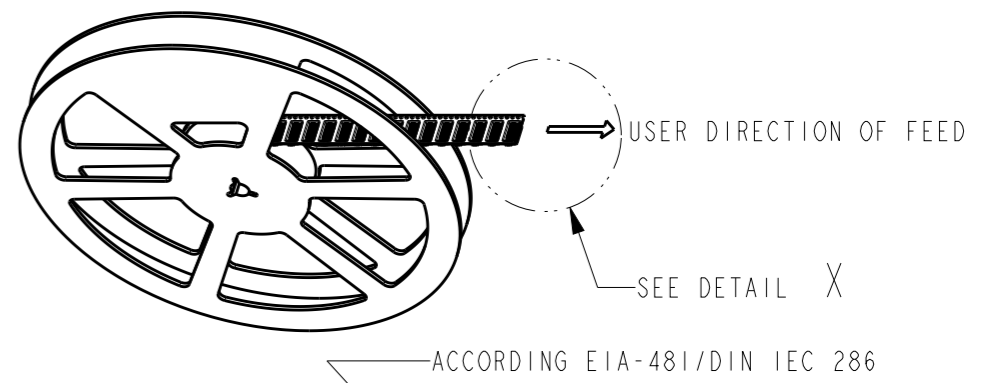


△1 PARTNUMBER VAC. TAPE.	△3 PARTNUMBER	NR. OF POS. "n"	"A"	"B" MAX.
7-188275-4	0-188275-4	4	3,81	7,1
7-188275-6	0-188275-6	6	6,35	9,7
7-188275-8	0-188275-8	8	8,89	12,2
8-188275-0	1-188275-0	10	11,43	14,7
8-188275-2	1-188275-2	12	13,97	17,3
8-188275-4	1-188275-4	14	16,51	19,8
8-188275-6	1-188275-6	16	19,05	22,4
8-188275-8	1-188275-8	18	21,59	24,9
9-188275-0	2-188275-0	20	24,13	27,5



NOTES:

- △1 TAPE FOR VACUUM P&P ONLY FOR DASHNUMBERS 7- /8- /9-
- 2 FOR PACKAGING SEE SHEET 2 OF 2
- △3 WITHOUT VACUUM TAPE.
- △4 CORING-OUTS FOR MANUFACTURING PURPOSE ONLY. SHAPE MAY VARY, BUT IS NOT FUNCTIONAL FOR THE APPLICATION.
- 5 SHOWN IS A 10 POSITION CONNECTOR.



ITEM NO.	COMPONENT DESCRIPTION	MATERIAL	FINISH / COLOR
3	PICK&PLACE TAPE	KAPTON	AMBER TRANSPARENT
2	FEMALE HOUSING	G.F. POLYAMIDE	RED
1	FEMALE CONTACT	PHOSPHOR BRONZE	TIN OVER NICKEL

THIS DRAWING IS A CONTROLLED DOCUMENT.		DWN M. GOSSELINK		 TE Connectivity															
DIMENSIONS: mm		TOLERANCES UNLESS OTHERWISE SPECIFIED:				NAME													
<table border="0"> <tr><td>0 PLC</td><td>±-</td></tr> <tr><td>1 PLC</td><td>±-</td></tr> <tr><td>2 PLC</td><td>±-</td></tr> <tr><td>3 PLC</td><td>±-</td></tr> <tr><td>4 PLC</td><td>±-</td></tr> <tr><td>ANGLES</td><td>±-</td></tr> </table>		0 PLC	±-			1 PLC	±-	2 PLC	±-	3 PLC	±-	4 PLC	±-	ANGLES	±-	PRODUCT SPEC 108-19052		CONNECTOR, FEMALE-ON-BOARD TOP-ENTRY, SMD, Micro-MatCh	
0 PLC	±-																		
1 PLC	±-																		
2 PLC	±-																		
3 PLC	±-																		
4 PLC	±-																		
ANGLES	±-																		
MATERIAL -		FINISH -		APPLICATION SPEC -															
CUSTOMER DRAWING		WEIGHT -		SCALE 5:1															
				SHEET 1 OF 2															
				REV S2															

THIS DRAWING IS UNPUBLISHED.

RELEASED FOR PUBLICATION

© COPYRIGHT -

ALL RIGHTS RESERVED.

LOC H DIST -

P LTR

REVISIONS

DESCRIPTION

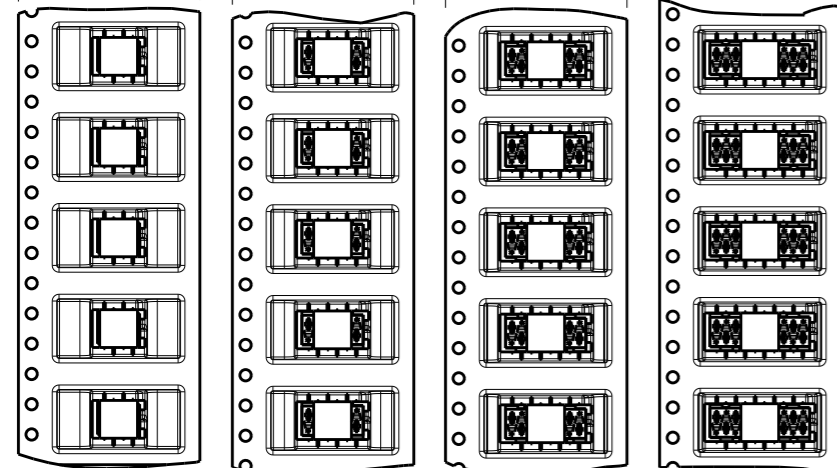
DATE

DWN

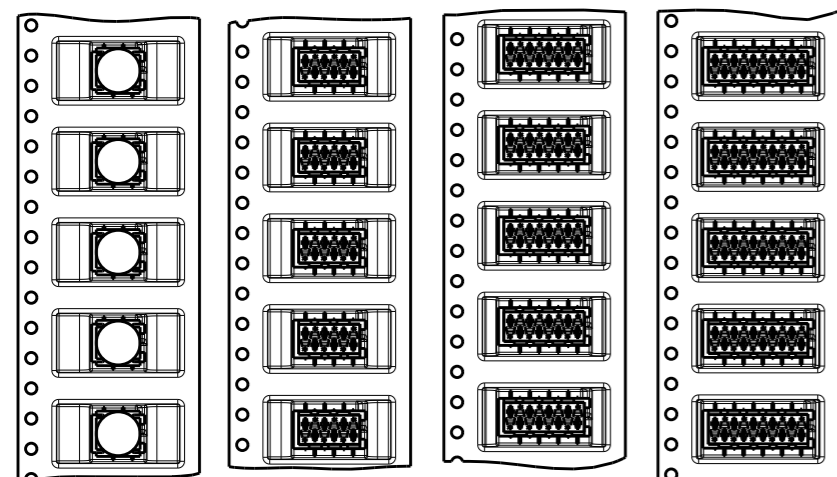
APVD

SEE SHEET 1

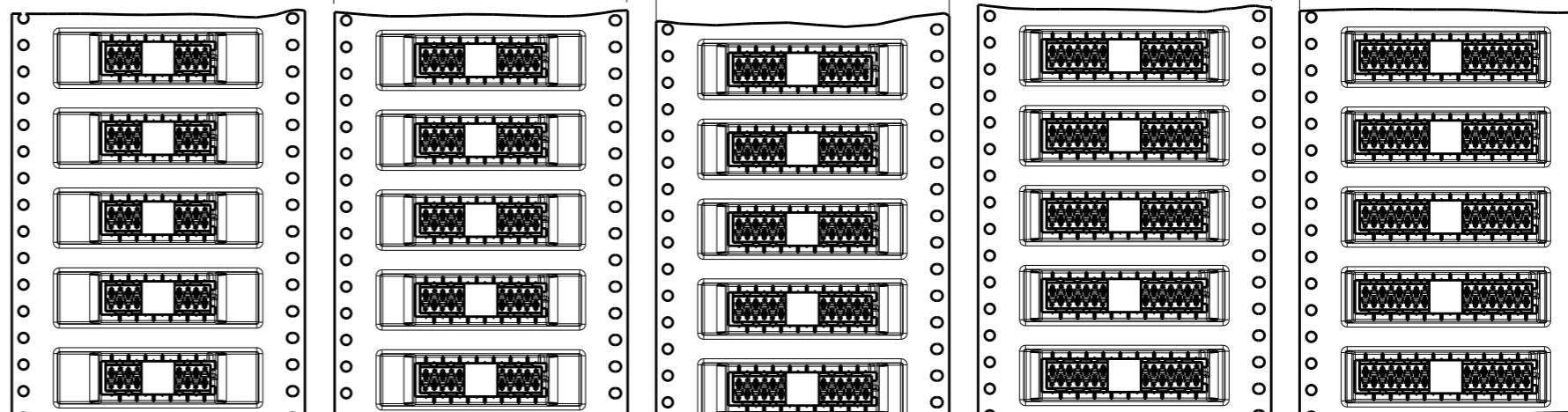
TAPE WIDTH 24 mm



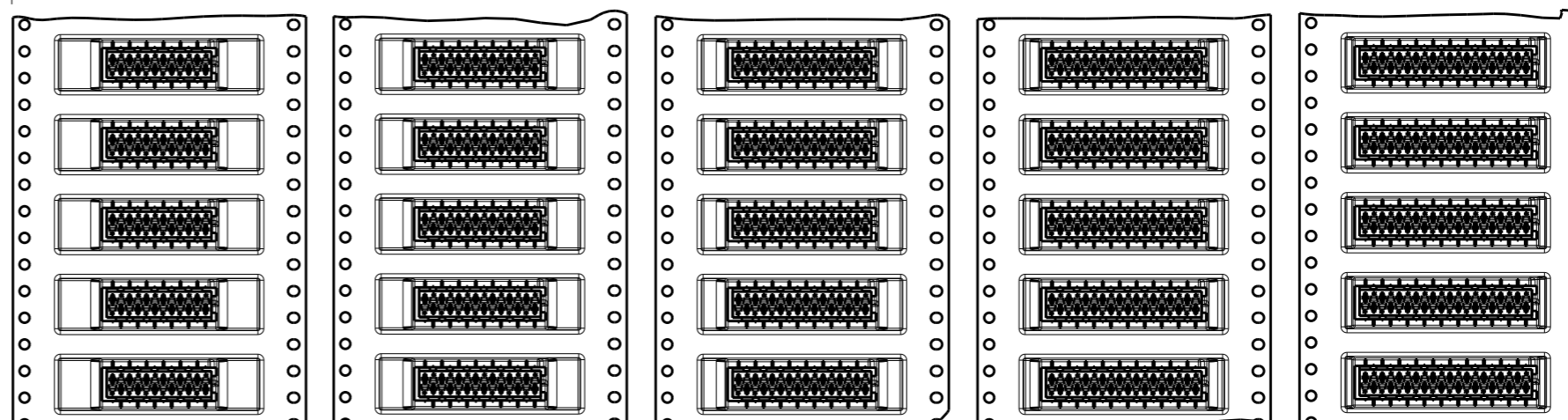
7-188275-4 4 POSITION 0-188275-4
7-188275-6 6 POSITION 0-188275-6
7-188275-8 8 POSITION 0-188275-8
8-188275-0 10 POSITION 1-188275-0



TAPE WIDTH 44 mm



8-188275-2 12 POSITION 1-188275-2
8-188275-4 14 POSITION 1-188275-4
8-188275-6 16 POSITION 1-188275-6
8-188275-8 18 POSITION 1-188275-8
9-188275-0 20 POSITION 2-188275-0

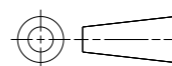


THIS DRAWING IS A CONTROLLED DOCUMENT.

DWN M.GOSSELINK
CHK -
APVD -



DIMENSIONS:
mm



TOLERANCES UNLESS OTHERWISE SPECIFIED:
0 PLC ±-
1 PLC ±0.1
2 PLC ±0.05
3 PLC ±-
4 PLC ±-
ANGLES ±-
FINISH -

PRODUCT SPEC 108-19052
APPLICATION SPEC -

NAME CONNECTOR, FEMALE-ON-BOARD TOP-ENTRY, SMD, Micro-MaTch

MATERIAL -

WEIGHT -

SIZE A3 CAGE CODE 00779 DRAWING NO C-188275 RESTRICTED TO -

CUSTOMER DRAWING

SCALE 1:1 SHEET 2 OF 2 REV S2