

**FEATURES**

- Bobbin Format
- Up to 4.6A IDC
- 3.3µH to 680µH
- Optional Integral EMI Shield
- Low DC Resistance
- Surface Mounting
- Compact Size
- Tape and Reel Packaging

**DESCRIPTION**

The 2600 series is a range of bobbin wound surface mount inductors designed for use in switching power supply and power line filter circuits. The parts are suitable for any application requiring a high saturation current in a miniature surface mount footprint. Where EMI is a critical factor the devices are available with an integral ferrite EMI shield.

**SELECTION GUIDE (UNSHIELDED TYPES)<sup>1</sup>**

	Nominal Inductance	Inductance Range	DC Resistance	Nominal Self DC Current Continuous <sup>2</sup>	Resonant Frequency	Mechanical Dimensions
Order Code	µH 1Hz, 100mV	µH 1Hz, 100mV	MAX	A MAX	MHz 100mVrms	
<b>263R3</b>	3.3	2.13–3.95	0.035	4.40	53.0	1
<b>264R7</b>	4.7	3.41–6.34	0.045	3.60	37.0	
<b>266R8</b>	6.8	5.00–9.28	0.054	3.10	31.0	
<b>26100</b>	10	8.00–12.0	0.060	2.60	24.8	
<b>26120</b>	12	7.95–14.8	0.068	2.42	24.0	
<b>26150</b>	15	12.0–18.0	0.090	2.27	20.2	
<b>26180</b>	18	12.9–24.0	0.087	2.10	19.0	
<b>26220</b>	22	17.6–26.4	0.100	1.95	16.9	
<b>26330</b>	33	26.4–39.6	0.120	1.50	12.8	
<b>26470</b>	47	42.3–51.7	0.170	1.28	10.2	
<b>26680</b>	68	61.2–74.8	0.220	1.11	8.37	
<b>26101</b>	100	90.0–110	0.350	0.97	6.56	
<b>26151</b>	150	135–165	0.470	0.78	5.20	
<b>26221</b>	220	198–242	0.730	0.66	4.00	
<b>26331</b>	330	297–363	1.150	0.52	3.14	
<b>26471</b>	470	423–517	1.480	0.42	2.54	
<b>26681</b>	680	612–748	2.250	0.28	1.97	

**SELECTION GUIDE (EMI SHIELDED TYPES)<sup>1</sup>**

	Nominal Inductance	Inductance Range	DC Resistance	Nominal Self DC Current Continuous <sup>2</sup>	Resonant Frequency	Mechanical Dimensions
Order Code	µH 1Hz, 100mV	µH 1Hz, 100mV	MAX	A MAX	MHz 100mVrms	
<b>26S3R3</b>	3.3	2.69–5.46	0.033	4.60	46.0	2
<b>26S4R7</b>	4.7	3.58–7.15	0.038	3.80	38.0	
<b>26S6R8</b>	6.8	4.60–8.97	0.043	3.21	30.0	
<b>26S100</b>	10	8.00–12.0	0.050	2.65	22.9	
<b>26S120</b>	12	8.42–15.9	0.058	2.55	21.0	
<b>26S150</b>	15	12.0–18.0	0.060	2.45	19.7	
<b>26S180</b>	18	13.4–25.6	0.074	2.32	16.0	
<b>26S220</b>	22	18.7–26.4	0.070	2.20	15.5	
<b>26S330</b>	33	28.1–39.6	0.100	1.80	11.5	
<b>26S470</b>	47	40.0–56.4	0.120	1.50	9.44	
<b>26S680</b>	68	57.8–81.6	0.170	1.26	7.47	
<b>26S101</b>	100	85.0–120	0.250	1.05	6.04	
<b>26S151</b>	150	128–180	0.400	0.85	4.67	
<b>26S221</b>	220	187–264	0.520	0.70	3.75	
<b>26S331</b>	330	281–396	0.800	0.57	2.87	
<b>26S471</b>	470	400–564	1.200	0.48	2.33	
<b>26S681</b>	680	578–816	1.780	0.40	1.83	

**ABSOLUTE MAXIMUM RATINGS**

Operating free air temperature range	–40°C to 85°C
Storage temperature range	–40°C to 125°C

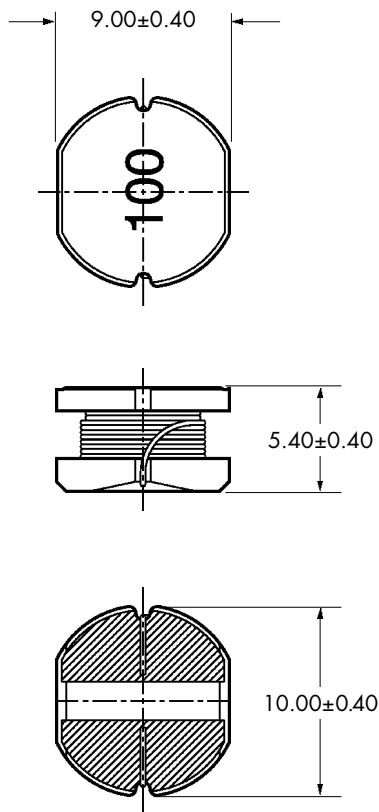
<sup>1</sup> Specifications typical at T<sub>A</sub> = 25°C

<sup>2</sup> The maximum DC current is the value at which the inductance falls to 80% of its nominal value or until its temperature rise reaches 40°C, whichever is sooner.

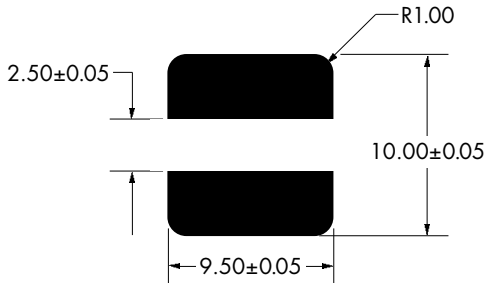
# 2600 SERIES

## Bobbin Wound Surface Mount Inductors

### 1 - MECHANICAL DIMENSIONS (UNSHIELDED TYPES)

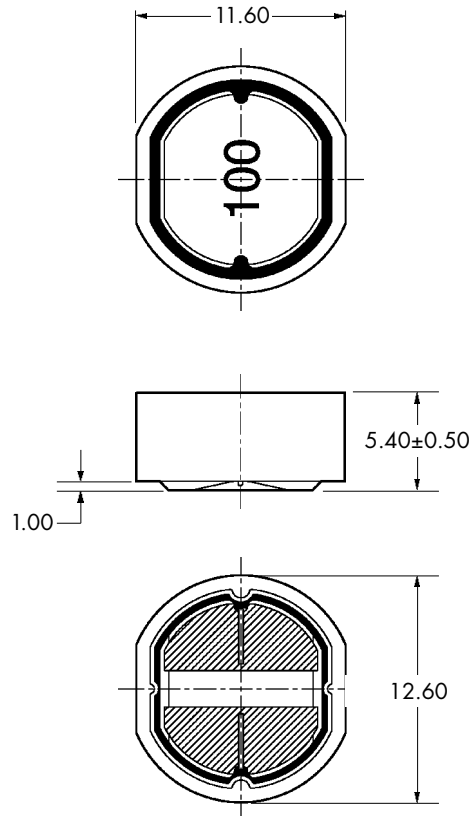


#### Recommended Footprint Details

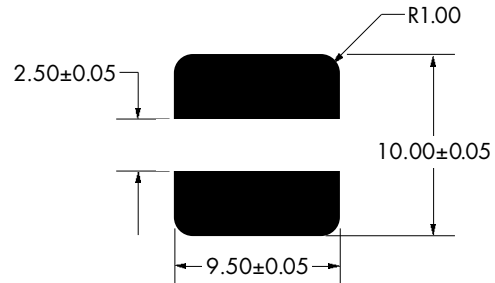


Unless otherwise stated all dimensions in mm ±0.35mm.  
Hatching represents solder pads.

### 2 - MECHANICAL DIMENSIONS (EMI SHIELDED TYPES)



#### Recommended Footprint Details



Unless otherwise stated all dimensions in mm ±0.35mm.  
Hatching represents solder pads.

### PACKAGE DETAILS

Order Code	TYP Weight (g)	Packaging Style
26XXX	1.54	Tape & Reel <sup>1</sup>
26SXXX	2.34	

<sup>1</sup> For tape and reel packaging details refer to datasheet NDCAN002

C&D Technologies (NCL) Limited reserve the right to alter or improve the specification, internal design or manufacturing process at any time, without notice. Please check with your supplier or visit our web site to ensure that you have the current and complete specification for your product before use.

© C&D Technologies (NCL) Limited 2001 NMP 2600.3

No part of this publication may be copied, transmitted or stored in a retrieval system or reproduced in any way including, but not limited to, photography, photocopy, magnetic or other recording means, without prior written permission from C&D Technologies (NCL) Limited.

Instructions for use are available from [www.dc-dc.com](http://www.dc-dc.com)

**C&D Technologies (NCL) Ltd**  
Tanners Drive, Blakelands North  
Milton Keynes MK14 5BU, England  
Tel: +44 (0)1908 615232  
Fax: +44 (0)1908 617545  
email: [info@cdtechno-ncl.com](mailto:info@cdtechno-ncl.com)

**www: <http://www.dc-dc.com>**

**C&D Technologies (NCL), Inc.**  
5816 Creedmoor Road, Raleigh  
NC 27612, USA  
Tel: +1 (919) 571-9405  
Fax: +1 (919) 571-9262  
email: [info@us.cdtechno-ncl.com](mailto:info@us.cdtechno-ncl.com)

**C&D TECHNOLOGIES**  
Power Solutions