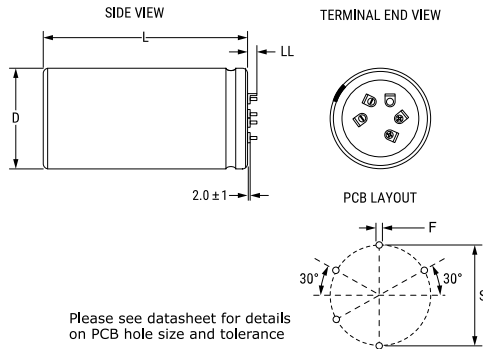


KEMET Part Number: ALF80G132EL400
(A557HP132M400G)

ALF80, Aluminum Electrolytic, 1,300 uF, 20%, 400 VDC, -40/+105°C



General Information	
Series:	ALF80
Dielectric:	Aluminum Electrolytic
Style:	Press-Fit
Description:	Press-Fit, Aluminum Electrolytic
RoHS:	Yes
Lead:	5 Pin Press-Fit
AEC-Q200:	No
Notes:	Dimensions D And L Include Slewing.
Shelf Life:	156 Weeks

Dimensions	
D	40mm +1mm
L	80mm +/-2mm
S	25mm +/-0.1mm
LL	5.5mm +/-1mm
F	1.486mm +/-0.076mm

Specifications	
Capacitance:	1,300 uF
Capacitance Tolerance:	20%
Voltage DC:	400 VDC, 440 VDC (Surge)
Temperature Range:	-40/+105°C
Rated Temperature:	105°C
Life:	9000 Hrs (Rated Voltage And Ripple Current At 105C), 14000 Hrs (Rated Voltage at 105C)
Resistance:	100.6 mOhms (100Hz 20C), 53.56 mOhms (10kHz 20C)
Ripple Current:	5.071 Amps (100Hz 105C), 11.34 Amps (10kHz 105C)
Leakage Current:	1560 uA (5min 20°C)

Packaging Specifications	
Weight:	165 g
Slewing:	Yes
Packaging:	Bulk