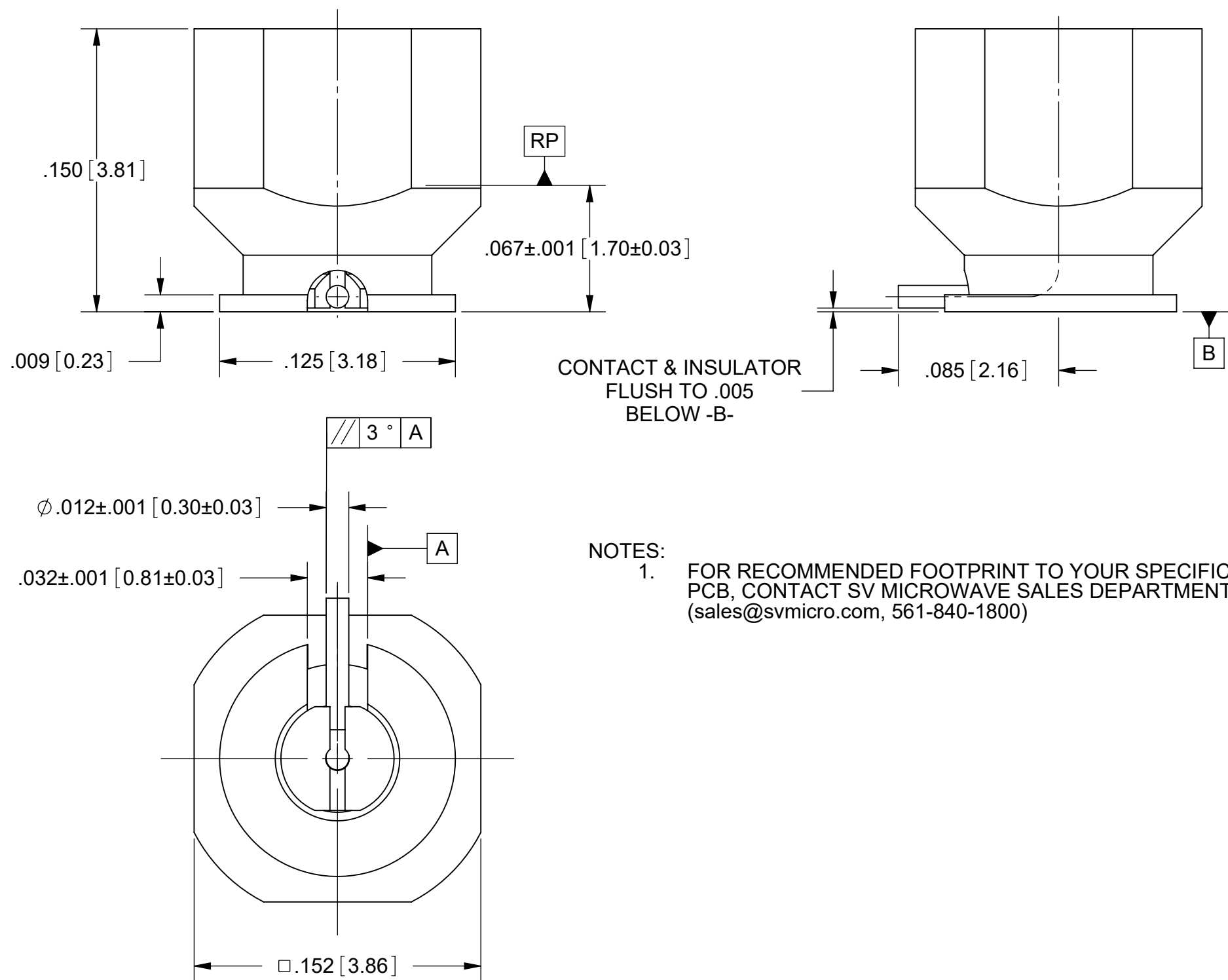


# PRODUCT DATA DRAWING

| REVISION HISTORY |             |       |          |
|------------------|-------------|-------|----------|
| REV              | DESCRIPTION | DATE  | APPROVED |
| -                | NRN 44906   | 06/20 | STW      |
|                  |             |       |          |
|                  |             |       |          |



NOTES:  
 1. FOR RECOMMENDED FOOTPRINT TO YOUR SPECIFIC PCB, CONTACT SV MICROWAVE SALES DEPARTMENT (sales@svmicro.com, 561-840-1800)

**MATERIAL:**  
 BODY, CONTACT: BERYLLIUM COPPER  
 INSULATOR: POLYAMIDE-IMIDE (PAI)  
**FINISH:**  
 BODY & CONTACT: GOLD OVER COPPER  
**PERFORMANCE:**  
 IMPEDANCE: 50 OHMS  
 FREQ. RANGE: DC TO 20.0 GHz.

|   |  |  |   |
|---|--|--|---|
| MATERIAL: SEE NOTES   | DIMENSIONS ARE IN INCHES TOLERANCES:<br>FRACTIONAL: ±1/64 ANGULAR: X° ±1'0"<br>X°X' ±15' | UNLESS OTHERWISE SPECIFIED<br>1) ALL DIMENSIONS ARE IN INCHES (MILLIMETERS)<br>2) ALL DIMENSIONS ARE AFTER PLATING.<br>3) BREAK CORNERS & EDGES .005 R. MAX.<br>4) CHAM. 1ST & LAST THREADS.<br>5) SURFACE ROUGHNESS 63-MIL-STD-10.<br>6) DIA: 'S ON COMMON CENTERS TO BE CONCENTRIC WITHIN .005 T.I.R.<br>7) REMOVE ALL BURRS | <br>Amphenol<br>www.svmicrowave.com<br>TITLE: SMPM MALE FD (NON-MAGNETIC) SURFACE PC MOUNT WITH R/A CONTACT |
| FINISH: SEE NOTES   | DECIMAL: X ±.030<br>.XX ±.010<br>.XXX ±.005  | INTERPRET DIMENSIONS AND TOLERANCES PER ASME Y14.5M - 1994   |   |
| SURFACE AREA: N/A   | THIRD ANGLE PROJECTION   | DRAWN: KRR 06/11/20  | SIZE DWG. NO. B 3211-40119  |
| PROPRIETARY<br>THE INFORMATION CONTAINED IN THIS DRAWING IS THE SOLE PROPERTY OF SV MICROWAVE, INC. ANY REPRODUCTION IN PART OR AS A WHOLE WITHOUT THE WRITTEN PERMISSION OF SV MICROWAVE, INC IS PROHIBITED. |  | CHECKED: STW 06/11/20  | SCALE: 15:1   |
|   |  | APPROVED: STW 06/11/20   | SHEET 1 OF 1  |