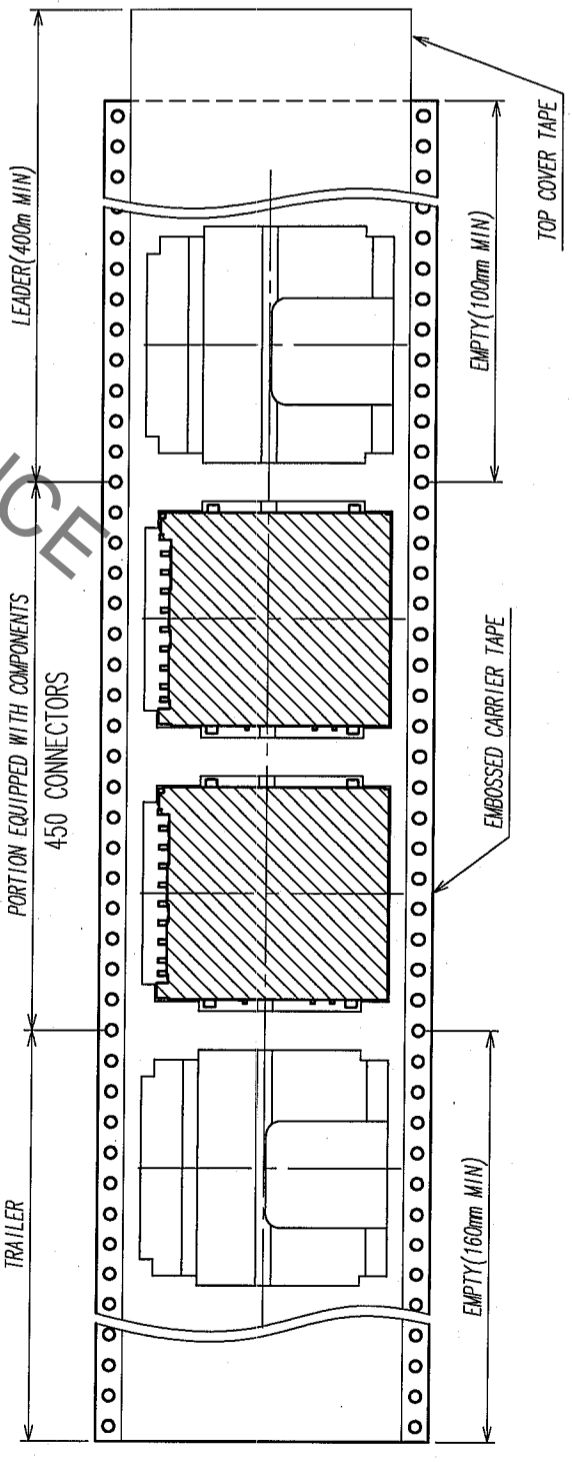
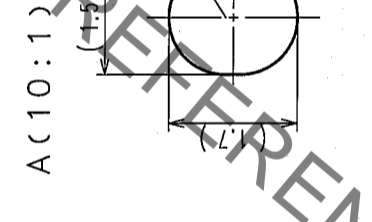
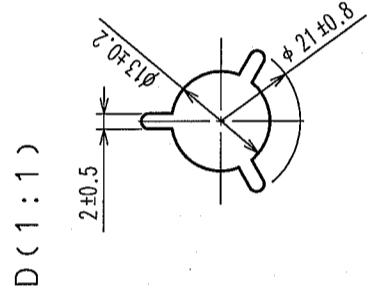
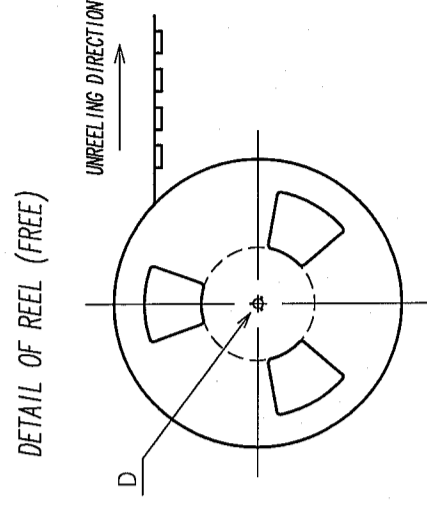
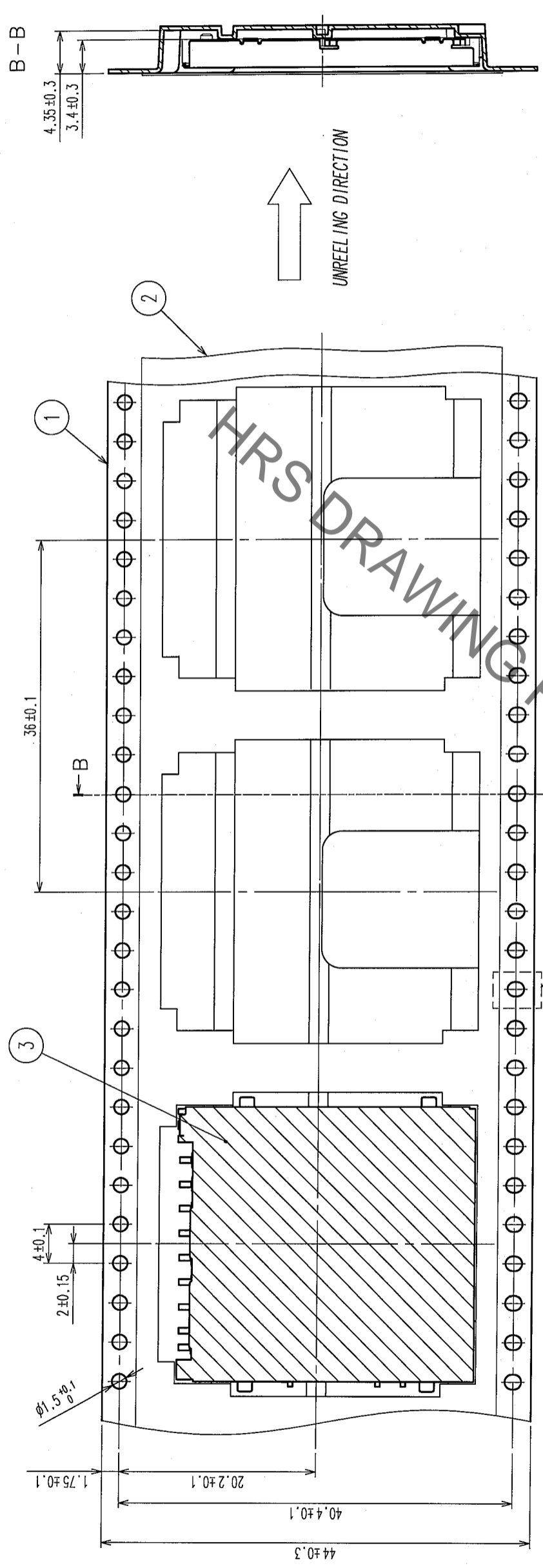




Mar. 1. 2020 Copyright 2020 HIROSE ELECTRIC CO., LTD. All Rights Reserved.  
 2 In case of consideration for using Automotive equipment / device which demand high reliability, kindly contact our sales window correspondents.

1 2 3 4 5 6 7 8

COUNT	DESCRIPTION OF REVISIONS	BY	CHKD	DATE	COUNT	DESCRIPTION OF REVISIONS	BY	CHKD	DATE



NOTES 1 450 CONNECTORS / REEL

NO.	MATERIAL	FINISH, REMARKS	DRAWN	DESIGNED	CHECKED	APPROVED	RELEASED
3	(CONNECTORS)						
2	POLYESTER		H. SAITOU	H. SAITOU	S. TOMIOKA	K. AKIYAMA	
1	PS		'05.07.19	'05.07.19	'05.07.19	'05.07.19	

NO.	MATERIAL	FINISH, REMARKS	FINISH, REMARKS
3	POLYESTER		
2	POLYESTER		
1	PS		

DRAWING NO.	EDC3-153736-02	PART NO.	DM1AA-SF-PEJ (82)
SCALE	2 : 1	CODE NO.	CL609-0004-8-82
UNITS	mm		

TO