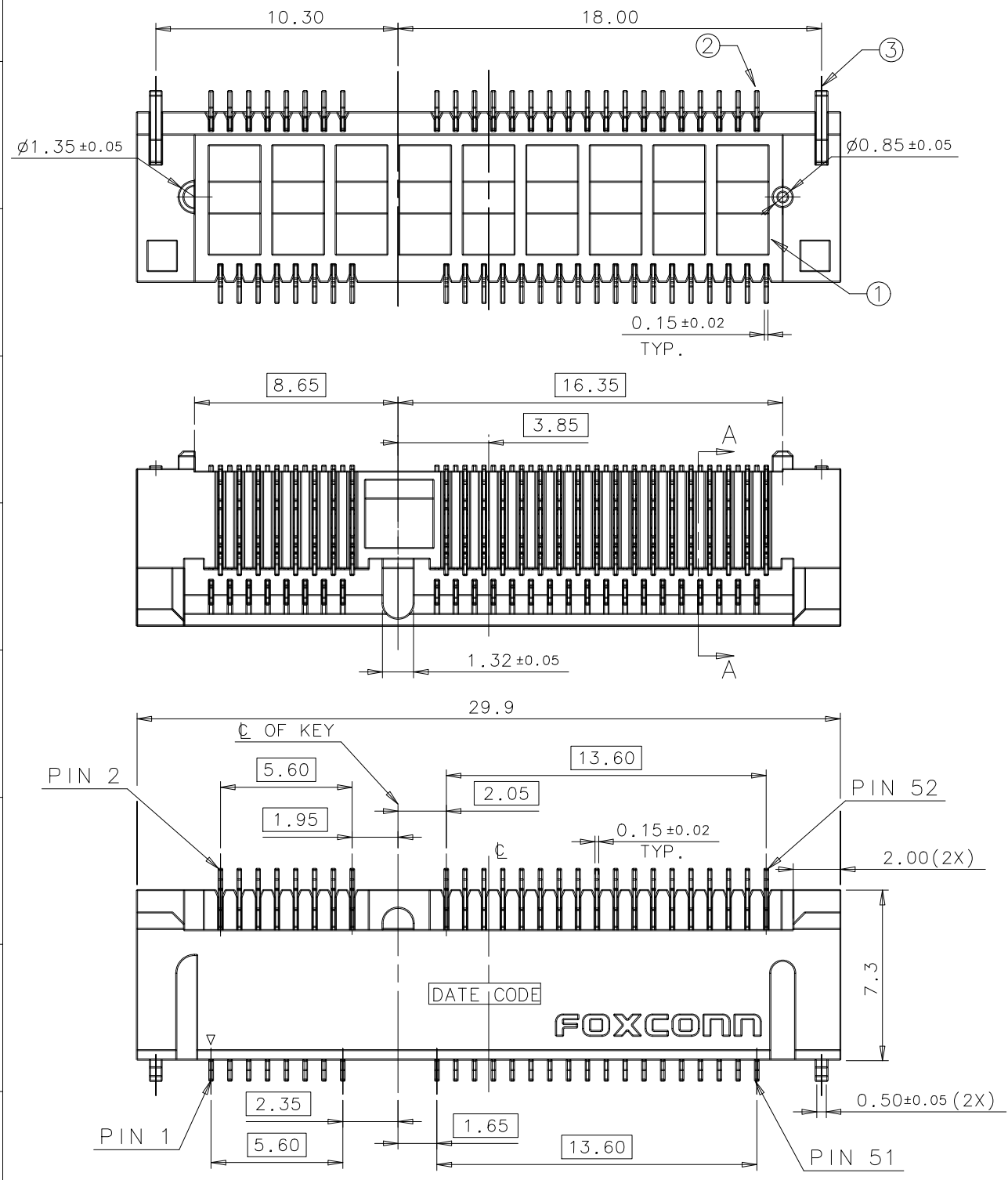


IDEAS GENERATED DRAWING, DO NOT CHANGE BY HAND

REV.	ECN. NO.	APPD.
A	BC-11-0000496	Herry Yang
B	BC-11-0057196	Herry Yang
C	BC-11-0066194	Herry Yang
D	BC-12-0005050	Y.H.Mao
E	BC-12-0005992	Y.H.Mao

NOTES:

- ELECTRICAL CHARACTERISTICS:
 - CONTACT CURRENT RATING: 0.5 AMPERE MAX. PER PIN.
(PER PIN) DOESN'T EXCEED 30°C ABOVE AMBIENT AT 0.5 AMPERE MAX. PER PIN.
 - VOLTAGE RATING: 50V AC.
 - INSULATION RESISTANCE: 500 MEGAOHMS MIN. AT 500V DC.
 - DIELECTRIC WITHSTANDING VOLTAGE: 300V AC RMS AT 60Hz, FOR 1 MINUTE.
 - CONTACT RESISTANCE : 55 MILLIOHMS MAX. PER PIN INITIAL.
 $\Delta R=20$ MILLIOHMS MAX. PER PIN AFTER FULL ENVIRONMENTAL TESTING.
- MECHANICAL CHARACTERISTICS: DURABILITY: 50 MATING CYCLES.
- OPERATION TEMPERATURE: -40°C TO +80°C.
- PLEASE CONTACT FOXCONN SALES REPRESENTATIVE TO VERIFY PRODUCT DETAIL & AVAILABILITY.

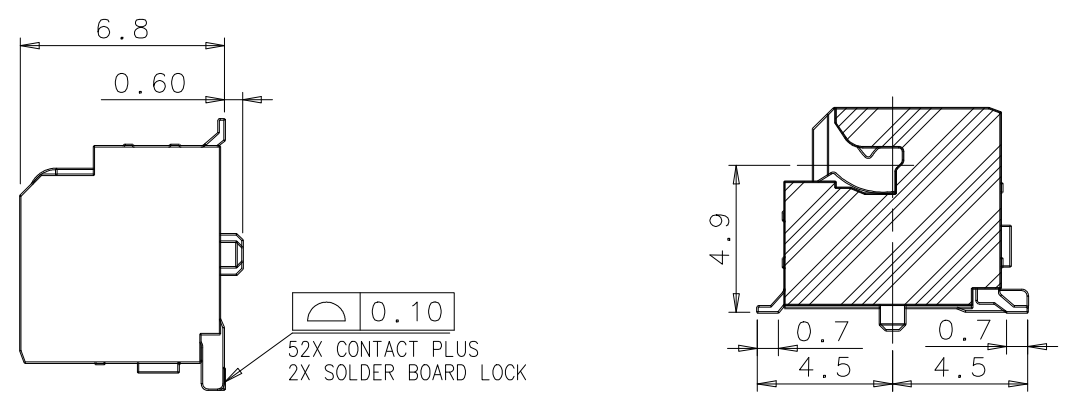


PART NO. DESCRIPTION: A S O B2 2 * - S 68 *-7 H

MEMORY MODULE SOCKET
 HORIZONTAL TYPE
 SINGLE ROW
 NO. OF POS.
 B2= 52 POS.
 SMT

CONTACT AREA PLATING
 1=GOLD FLASH
 6=10u" GOLD PLATING

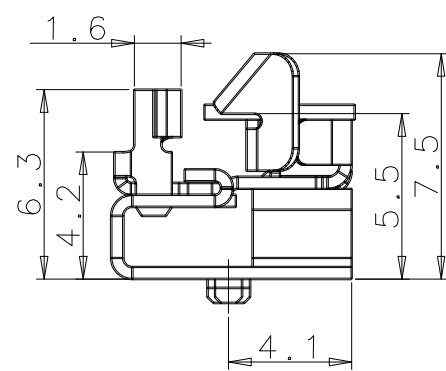
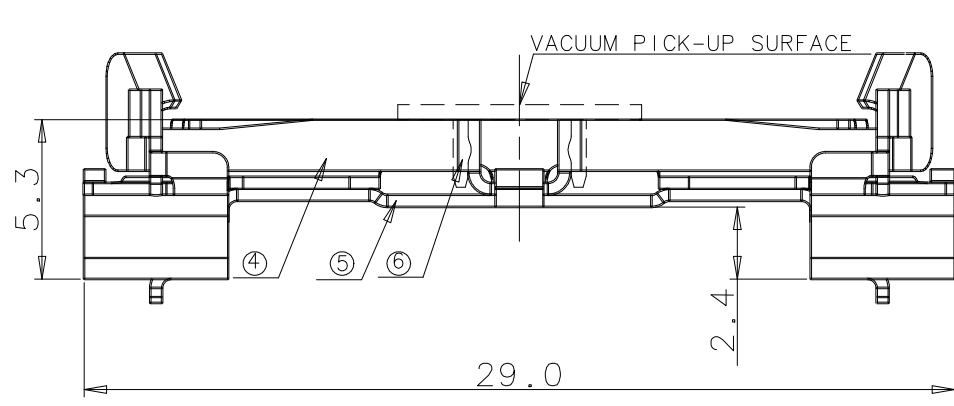
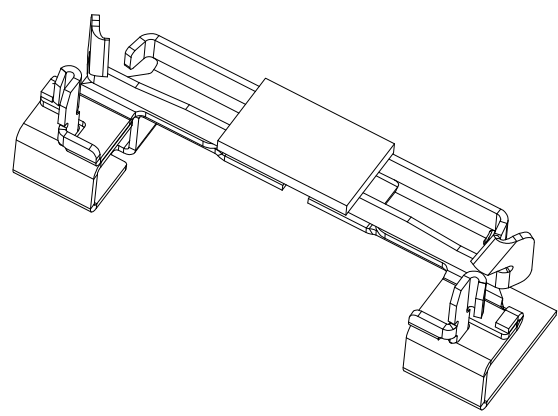
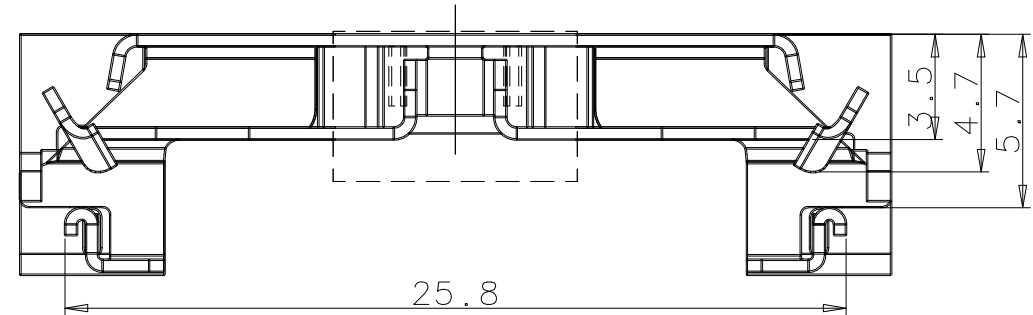
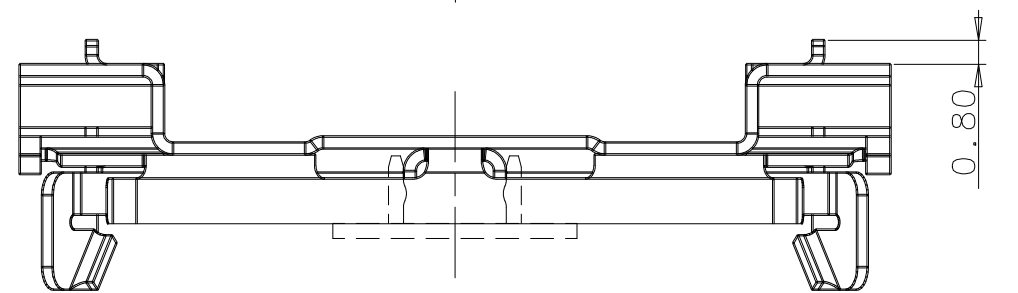
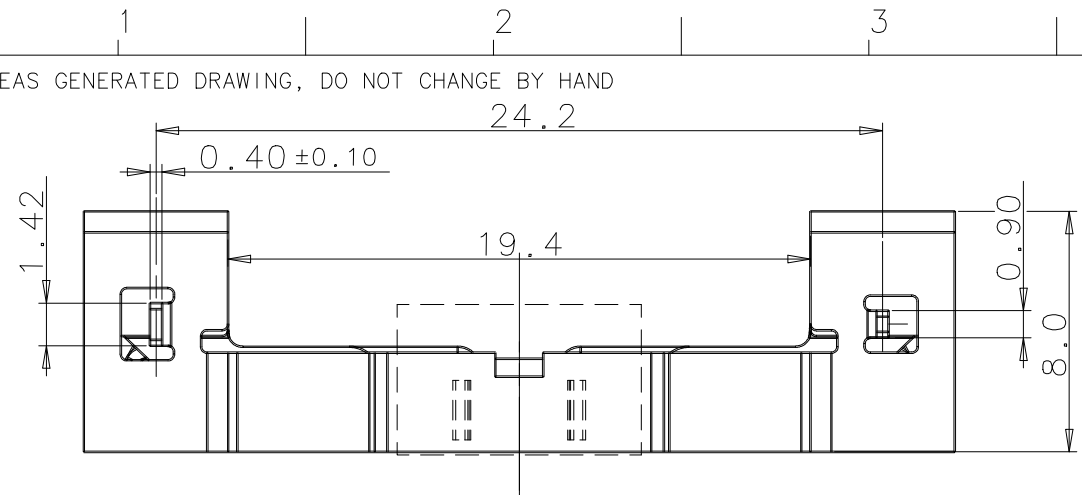
H=HALOGEN/LEAD FREE
 7=TAPE&REEL
 Q=GENERAL TYPE
 K=ONLY CLIP
 68=6.8mm HEIGHT
 STANDARD TYPE



X. ± 0.30	X° ± 2°	UNITS	mm	NAME (INTENDED USE)	FOXCONN
.X ± 0.25	.X° ± 1°	MAT'L		MINI PCI EXPRESS CONNECTOR	HON HAI PRECISION IND. CO., LTD. TAIPEI, TAIWAN, R.O.C.
.XX ± 0.15	.XX° ±	FINISH		PART NO. (INTENDED USE)	TITLE:
.XXX ±	.XXX° ±	Q'TY		AS0B22*-S68*-7H	CUSTOMER DRAWING
THESE DRAWINGS AND SPECIFICATIONS ARE THE PROPERTY OF HON HAI PRECISION IND. CO., LTD. AND SHALL NOT BE REPRODUCED, COPIED OR USED IN ANY MANNER WITHOUT THE PRIOR WRITTEN CONSENT OF HON HAI PRECISION IND. CO., LTD.				APPD: Y.H.Mao	DWG NO.:
				CHKD: Alex Wong	317-0000-2034
				DR: LiPing Yang 2/1'12	SCALE SHEET REV. N/A 1/7 E

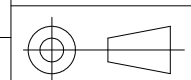
IDEAS GENERATED DRAWING, DO NOT CHANGE BY HAND

REV.	ECN.	NO.	APPD.



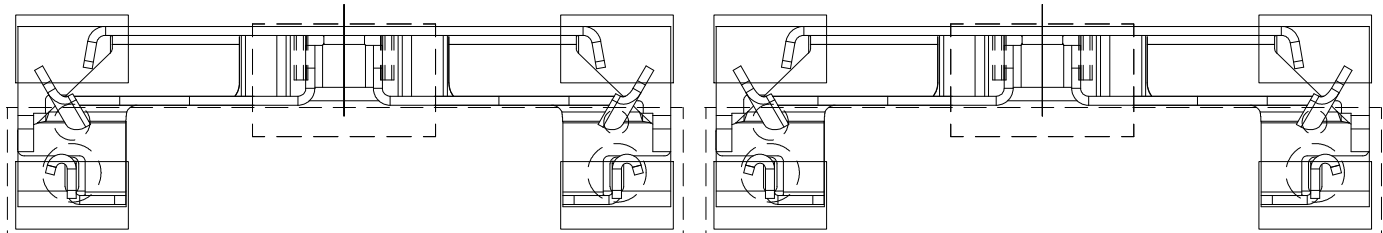
⑥	CAP	1	THERMOPLASTIC	UL94V-0, IVORY COLOR(IN ORDER TO PICK-UP, TAKE AWAY AFTER ASSEMBLY)
⑤	CLIP(2)	1	STAINLESS STEEL	10u" NICKEL UNDER PLATING 2u" Pd PLATING OVER SOLDER PAD AREA
④	CLIP(1)	1	STAINLESS STEEL	NO PLATING
③	BOARD LOCK	2	COPPER ALLOY	50u" NICKEL UNDER PLATING 100u" MATTE TIN OVER ALL
②	CONTACT	52	COPPER ALLOY	50u" NICKEL UNDER PLATING GOLD FLASH AT TAIL 10u" GOLD PLATING OR GOLD FLASH AT CONTACT AREA
①	HOUSING	1	THERMOPLASTIC	UL94V-0, IVORY COLOR

ITEM	DESCRIPTION	Q'TY	MATERIAL	TREATMENT
X. ±	0.30	X° ±	UNITS	mm
.X ±	0.25	.X° ±	MAT'L	NAME (INTENDED USE) MINI PCI EXPRESS CONNECTOR
.XX ±	0.15	.XX° ±	FINISH	PART NO. (INTENDED USE) ASOB22*-S68*-7H
.XXX ±		.XXX° ±	Q'TY	APPD: Y.H.Mao
<small>THESE DRAWINGS AND SPECIFICATIONS ARE THE PROPERTY OF HON HAI PRECISION IND. CO., LTD. AND SHALL NOT BE REPRODUCED, COPIED OR USED IN ANY MANNER WITHOUT THE PRIOR WRITTEN CONSENT OF HON HAI PRECISION IND. CO., LTD.</small>				CHKD: Alex Wong
				DR: LiPing Yang 2/1'12
				FOXCONN HON HAI PRECISION IND. CO., LTD. TAIPEI, TAIWAN, R.O.C.
				TITLE: CUSTOMER DRAWING
				DWG NO.: 317-0000-2034
				SCALE SHEET REV. N/A 2/7 E

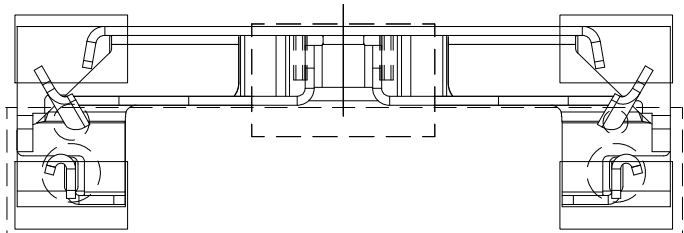


IDEAS GENERATED DRAWING, DO NOT CHANGE BY HAND

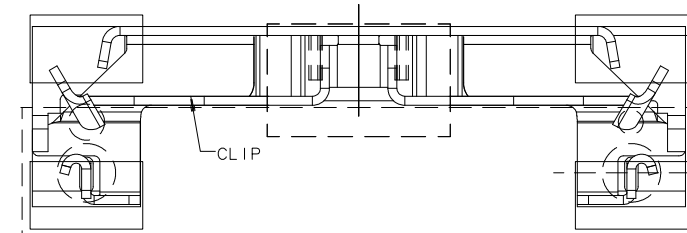
REV.	ECN.	NO.	APPD.
------	------	-----	-------



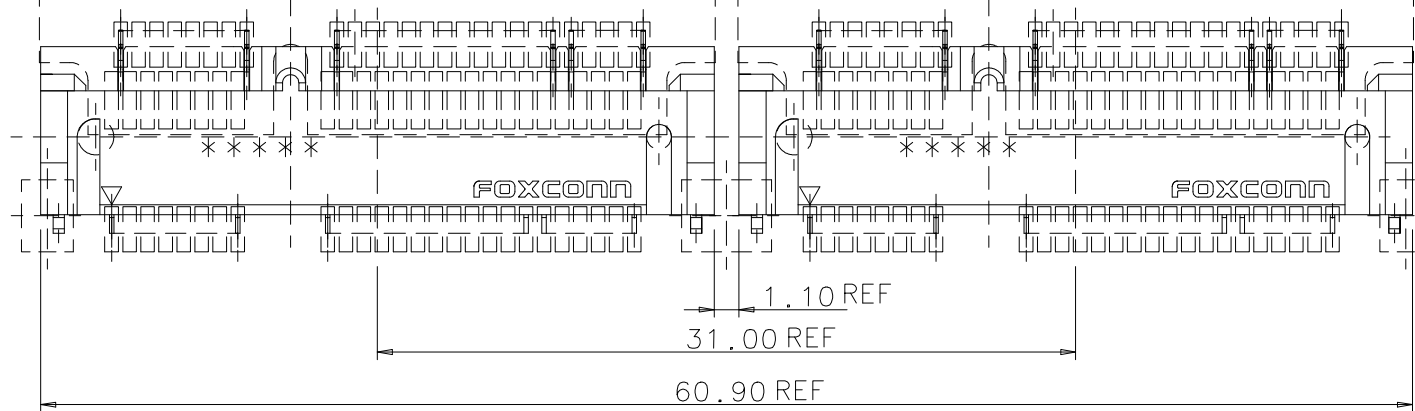
TOP SIDE



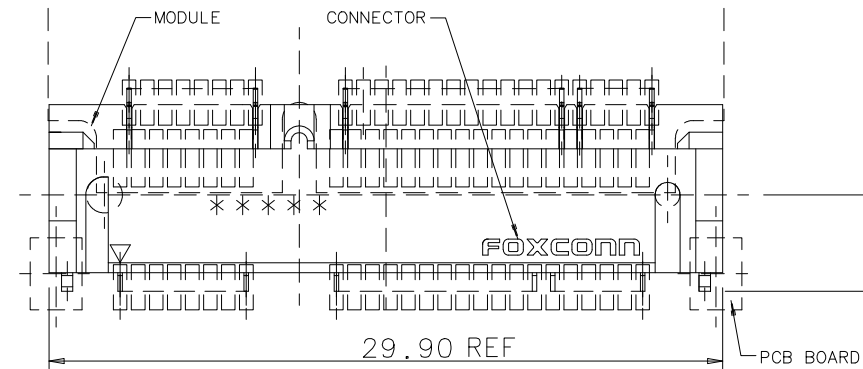
TOP SIDE



TOP SIDE



SIDE BY SIDE LAYOUT FOR ASSEMBLY(CONNECTOR+CLIP+MODULE CARD+P.C.B)



SINGLE LAYOUT FOR ASSEMBLY(CONNECTOR+CLIP+MODULE CARD+P.C.B)

HALF-MINI CARD = 24.00 REF
 FULL-MINI CARD = 48.15 REF
 HALF-MINI CARD = 34.38 REF
 FULL-MINI CARD = 58.53 REF

X. ± 0.15	X.° ±	UNITS	mm	NAME (INTENDED USE)	FOXCONN HON HAI PRECISION IND. CO., LTD. TAIPEI, TAIWAN, R.O.C.		
.X ± 0.10	.X° ±	MAT'L		MINI PCI EXPRESS CONNECTOR			
.XX ± 0.05	.XX° ±			PART NO. (INTENDED USE)	TITLE:		
.XXX ±	.XXX° ±	FINISH		ASOB22*-S68*-7H	CUSTOMER DRAWING		
THESE DRAWINGS AND SPECIFICATIONS ARE THE PROPERTY OF HON HAI PRECISION IND. CO., LTD. AND SHALL NOT BE REPRODUCED, COPIED OR USED IN ANY MANNER WITHOUT THE PRIOR WRITTEN CONSENT OF HON HAI PRECISION IND. CO., LTD.				APPD: Y.H.Mao	DWG NO.:		
				CHKD: Alex Wong	317-0000-2034		
				DR: LiPing Yang 2/1'12			
					SCALE	SHEET	REV.
					N/A	3/7	E

IDEAS GENERATED DRAWING, DON'T CHANGE BY HAND

REV.	ECN.	NO.	APPD.

ALLOWABLE COMPONENT HEIGHT IS 0.80 IN THIS HATCHED REGION

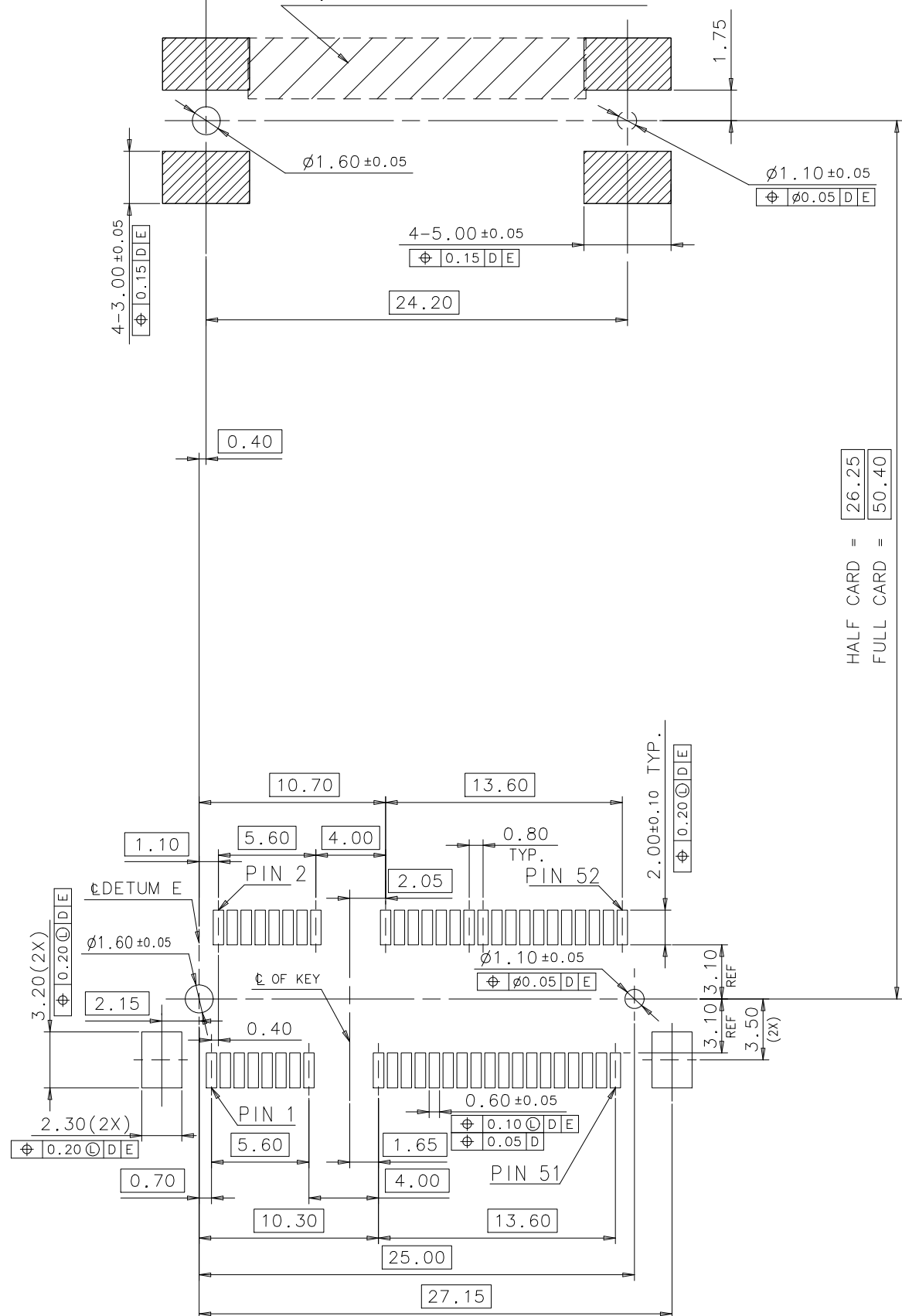
A

B

C

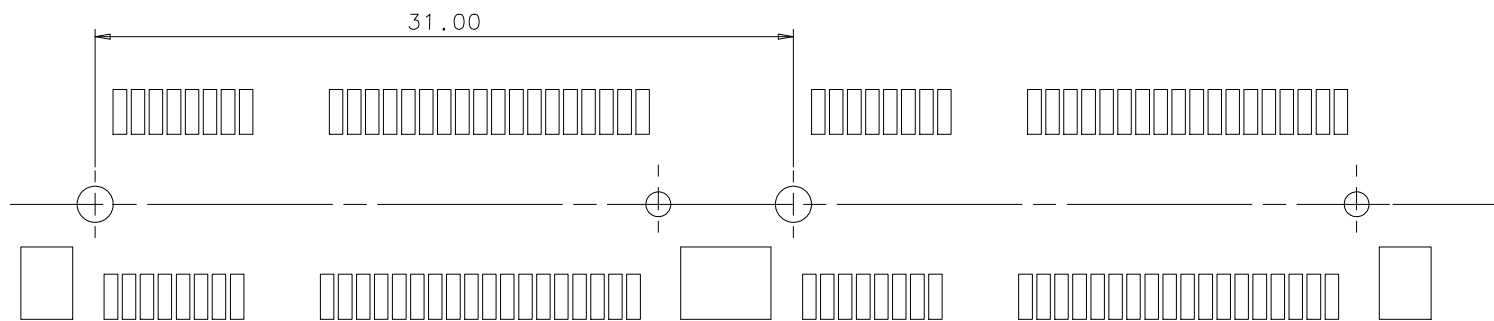
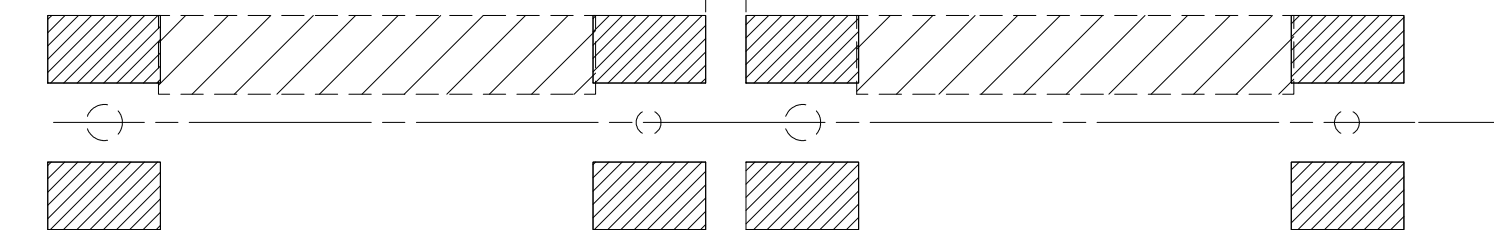
D

E



RECOMMENDED PCB LAYOUT
*DATUM D IS THE TOP SURFACE OF PCB

HALF CARD = 26.25
FULL CARD = 50.40



RECOMMENDED PCB LAYOUT (SIDE BY SIDE)

HALF CARD = 26.25
FULL CARD = 50.40

x. ± 0.15	x° ±	UNITS	mm
.x ± 0.10	.x° ±	MAT'L	
.xx ± 0.05	.xx° ±	FINISH	
.xxx ±	.xxx° ±	Q'TY	

THESE DRAWINGS AND SPECIFICATIONS ARE THE PROPERTY OF HON HAI PRECISION IND. CO., LTD. AND SHALL NOT BE REPRODUCED, COPIED OR USED IN ANY MANNER WITHOUT THE PRIOR WRITTEN CONSENT OF HON HAI PRECISION IND. CO., LTD.

NAME (INTENDED USE)	MINI PCI EXPRESS CONNECTOR
PART NO. (INTENDED USE)	AS0B22*-S68*-7H
APPD:	Y.H.Mao
CHKD:	Alex Wong
DR:	LiPing Yang 2/1'12

FOXCONN	HON HAI PRECISION IND. CO., LTD. TAIPEI, TAIWAN, R.O.C.	
TITLE:	CUSTOMER DRAWING	
DWG NO.:	317-0000-2034	
SCALE	SHEET	REV.
N/A	5/7	E

A

B

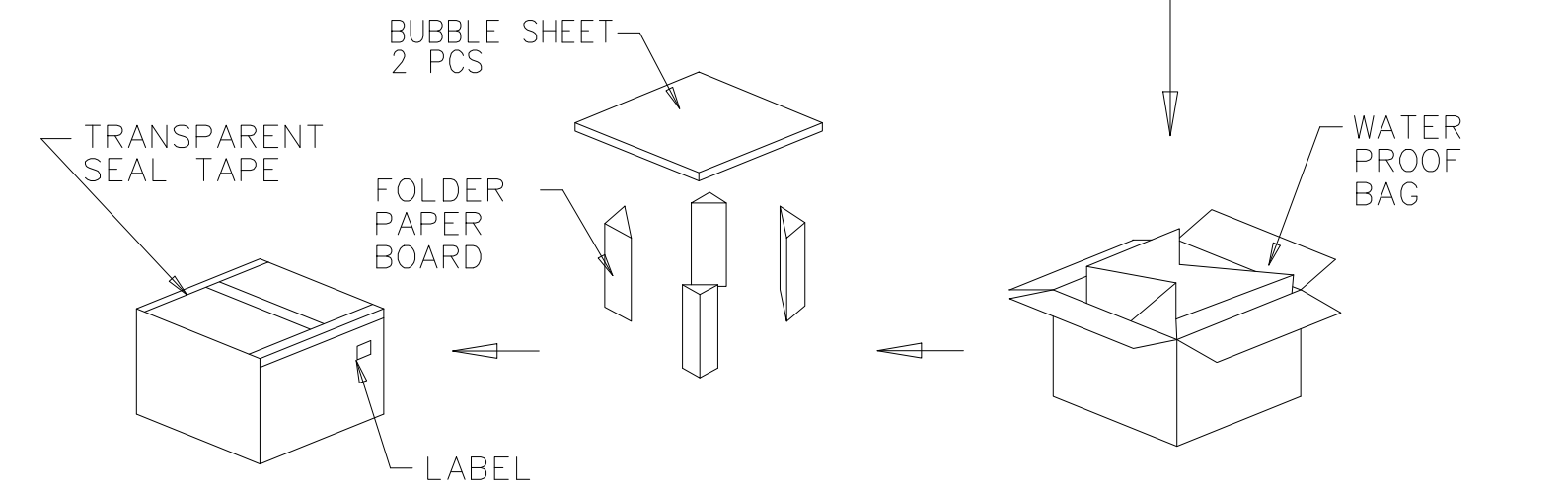
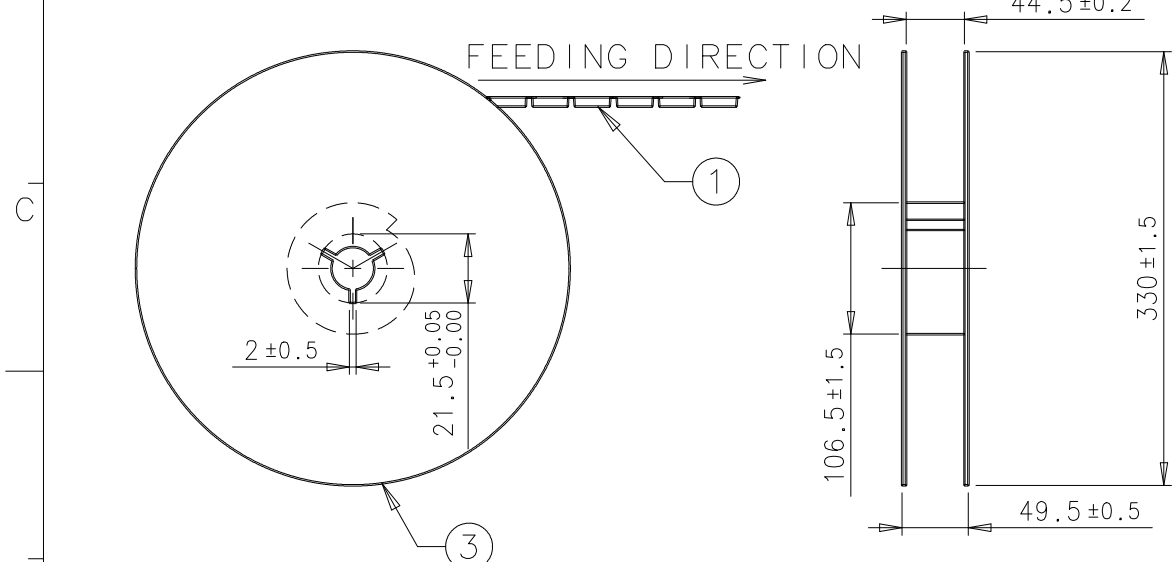
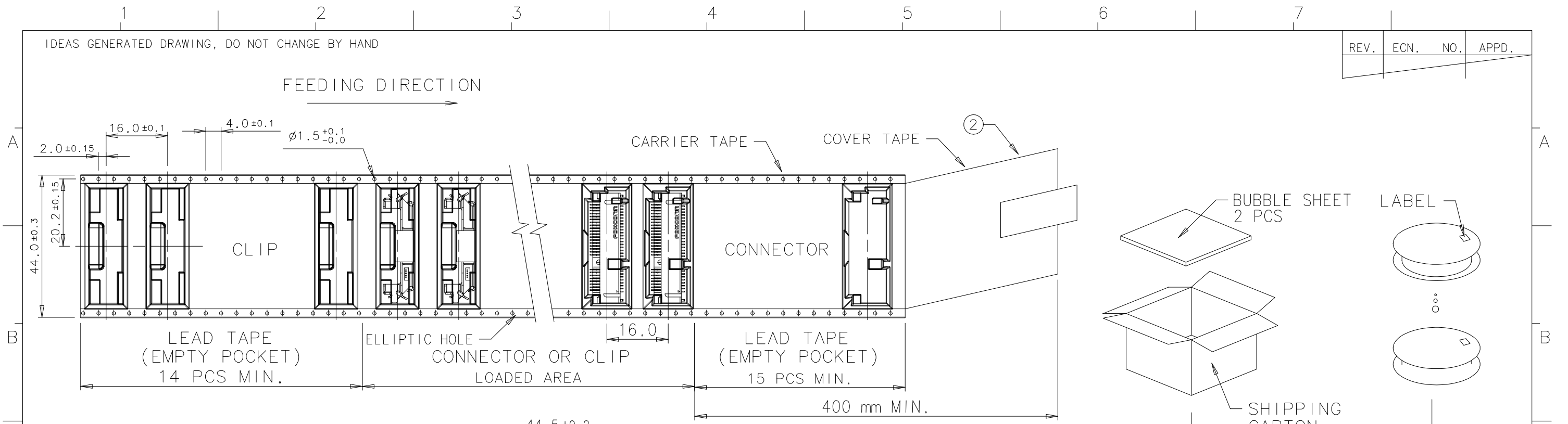
C

D

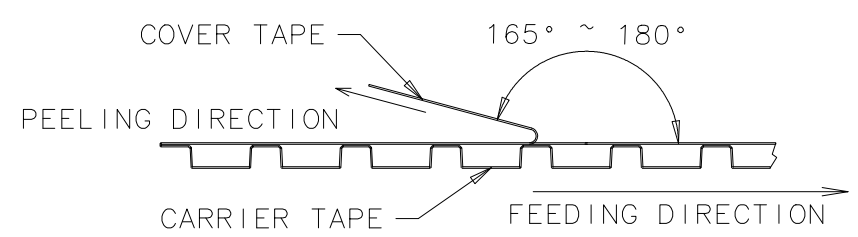
E

IDEAS GENERATED DRAWING, DO NOT CHANGE BY HAND

REV.	ECN.	NO.	APPD.



- NOTES:
- 10 POCKETS HOLE PITCH CUMULATIVE TOLERANCE $\pm 0.20\text{mm}$.
 - COVER TAPE PEELING STRENGTH : 0.01 kgf MIN & 0.13 kgf MAX. AT 300mm/min.



3. PACKING CAPACITY :

PART No.	PCS / REEL	REEL / BOX	PCS / BOX
ASOB22*-S68Q-7H	400	5	2000
ASOB22*-S68K-7H	400	5	2000

③	REEL	POLYSTYRENE
②	COVER TAPE	POLYESTER
①	CARRIER TAPE	POLYSTYRENE
ITEM	DESCRIPTION	MATERIAL

X. \pm 0.30	X° \pm	UNITS	mm	NAME (INTENDED USE)	FOXCONN		
.X \pm 0.25	.X° \pm	MAT'L		MINI PCI EXPRESS CONNECTOR	HON HAI PRECISION IND. CO., LTD. TAIPEI, TAIWAN, R.O.C.		
.XX \pm 0.15	.XX° \pm			PART NO. (INTENDED USE)	TITLE:		
.XXX \pm	.XXX° \pm	FINISH		ASOB22*-S68*-**	CUSTOMER DRAWING		
THESE DRAWINGS AND SPECIFICATIONS ARE THE PROPERTY OF HON HAI PRECISION IND. CO., LTD. AND SHALL NOT BE REPRODUCED, COPIED OR USED IN ANY MANNER WITHOUT THE PRIOR WRITTEN CONSENT OF HON HAI PRECISION IND. CO., LTD.				APPD:	Y.H.Mao	DWG NO.:	317-0000-2034
				CHKD:	Alex Wong	SCALE	N/A
				DR:	LiPing Yang 2/1'12	REV.	E