

FEATURES

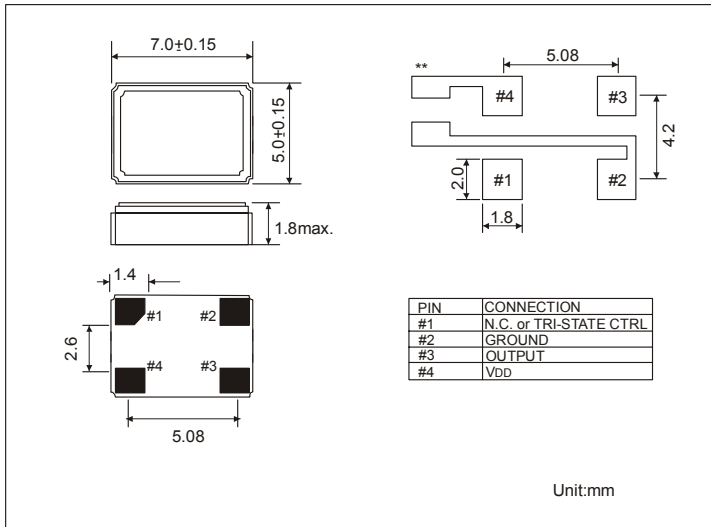
- HIGH RELIABILITY FOR LOW COST
- 2.5 VDC SUPPLY VOLTAGE
- SUITABLE FOR PORTABLE APPLICATIONS
- VERY LOW POWER CONSUMPTION
- JITTER OPTIMIZED SMALL SMD-OSCILLATOR
- EXTENDED TEMPERATURE RANGE TO -40/+85°C DELIVERABLE

SMD-OSCILLATOR SERIES		SXO25-0507	
PACKAGE		Ceramic 7.0 x 5.0 x 1.8 mm ³	
FREQUENCY RANGE		1.0 - 125.0 MHz	
FREQUENCY STABILITY		+15 ~ +100 ppm	
OPERATING TEMPERATURE RANGE		-10/+60°C ~ -40/+85°C	
STORAGE TEMPERATURE RANGE		-55/+125°C	
INPUT	VOLTAGE	+2.5 VDC +5%	
		CURRENT	8 mA <35.0 MHz
	20 mA <70 MHz		
	35 mA <125 MHz		
OUTPUT	SIGNAL		HCMOS
	SYMMETRY	STANDARD	40/60% @50% VDD
		OPTION	45/55% @50% VDD
	RISE AND FALL TIME		10 nS max. (10% VDD to 90% VDD)
	"0" LEVEL		10% VDD max.
	"1" LEVEL		90% VDD min.
LOAD		15 pF	
START-UP TIME		10 ms max.	
PERIOD JITTER RMS		8 ps max.	
PIN CONNECTION		SEE OUTLINE DRAWING	
DELIVERY FORM		TAPE & REEL / 1.000 pcs per reel	
OTHER PARAMETERS ARE AVAILABLE ON REQUEST / CREATE HERE YOUR SPECIFICATION			

PART NUMBERING SYSTEM

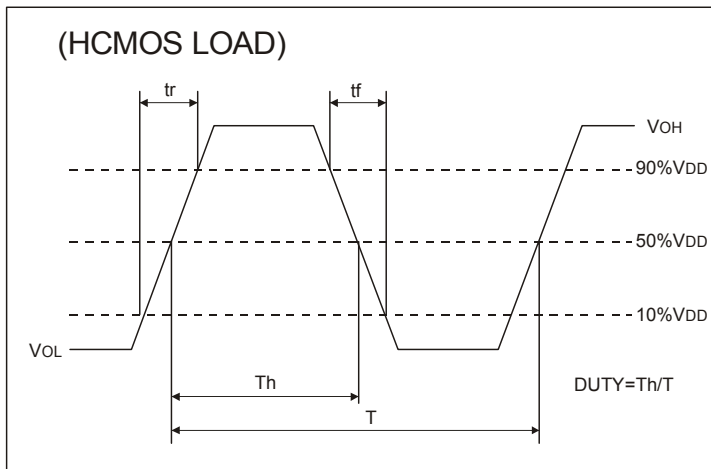
EXAMPLE	SXO25-0507-S-E-50-W-27.000MHz-T
SERIES	SXO25-0507
SYMMETRY	BLANK = 40/60% S = 45/55%
PIN 1 ENABLE/DISABLE	BLANK FOR NO E/D E FOR E/D
FREQUENCY STABILITY VS. TEMPERATURE	BLANK = 100 PPM ANY 15 - 50 PPM
TEMPERATURE RANGE	BLANK FOR 0/+70°C N = -10/+60°C M = -20/+70°C W = -40/+85°C
FREQUENCY	REQUIRED FREQUENCY IN MHz
DELIVERY FORM	T = TAPE AND REEL

OUTLINE DRAWING OF SXO25-0507



**A capacitor of value 0.01 μF or greater between VDD and GROUND is recommended

OUTPUT WAVE FORM HCMOS



TEST CIRCUIT HCMOS

