

# DM42

pcb power relay

# DURAKOOL



- miniature pcb power relay
- Up to 7A /28VDC rating DPDT
- industry standard style
- Cost effective
- RoHS Compliant



## Contacts

Contact number & arrangement	DPST-NO (2 N/O), DPDT ( 2 C/O)	
Contact material	AgCdO, AgSnO <sub>2</sub>	
Max. switching voltage	AC/DC	240VAC / 28VDC
Min. switching current / voltage	1mA/1VDC	
Rated load	AC1	7A, 240VAC
	DC1	7A, 28VDC
Initial resistance	100mΩ, max. at 0.1A/6VDC	
<b>Coil</b>		
Rated voltage	DC	3...48V
	AC	6V...230V
Must release voltage	DC	≥ 0.1Un
	AC	≥ 0.3Un
Operating range of supply voltage	See coil tables 1 and 2	
Rated power consumption	DC	0.53W
	AC	1.0VA

## Insulation

Insulation resistance	≤ 100MΩ at 500VDC, 50%RH	
Dielectric strength		
	coil to contact	5000Vrms, 1min
	contact to contact	1000Vrms, 1min

## General Data

Operating time (typical)	mS	≤ 20ms
Release time (typical)	mS	≤ 10ms
Electrical Life	ops	≥ 1 x 10 <sup>5</sup>
Mechanical life	ops	≥ 1 x 10 <sup>7</sup>
Dimensions	L x W x H	29 x 13 x 25.3mm
Weight	17g	
Ambient temperature	storage	-55 to 70°C
	operating	-55 to 70°C
Shock resistance	Functional: 10g 11mS; Destructive: 100g	
Vibration resistance	DA 1.5mm 10-55Hz	

# DM42

pcb power relay



Coil Data (DC voltage)

Table 1

Coil Voltage Code	Nominal Voltage (VDC)	Coil Resistance ( $\Omega$ ) $\pm 10\%$	Must operate voltage max. (VDC)	Must release voltage min. (VDC)
1003	3	17	2.25	0.3
1005	5	47	3.75	0.5
1006	6	68	4.50	0.6
1009	9	152	6.75	0.9
1012	12	272	9.00	1.2
1018	18	610	13.5	1.8
1024	24	1087	18.00	2.4
1048	48	4347	36.00	4.8
1110	110	22830	82.5	11.0

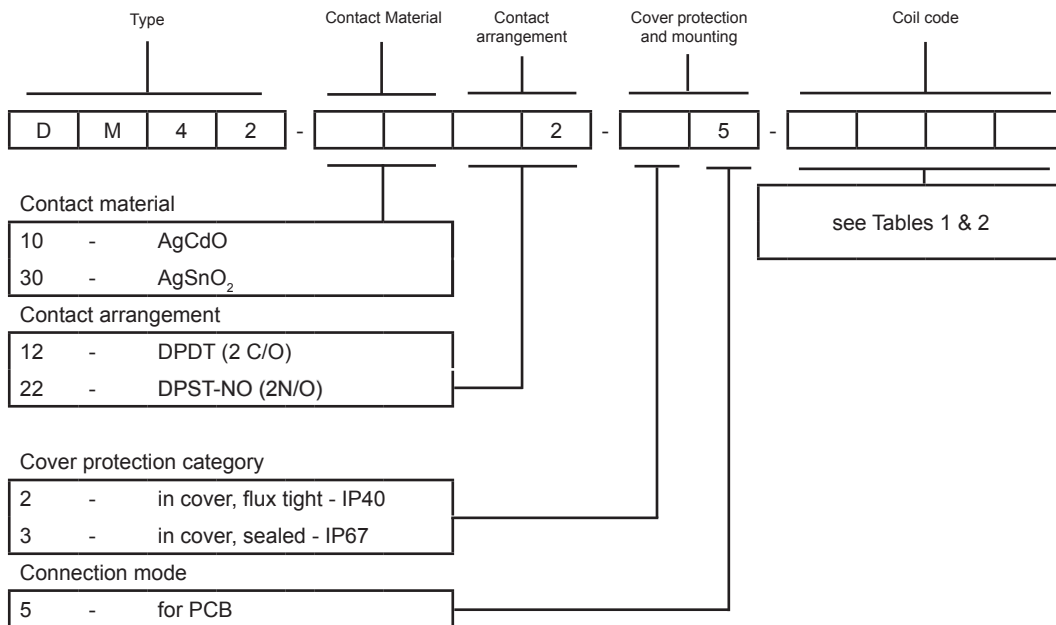
Coil Data (AC voltage 50/60Hz)

Table 2

Coil Voltage Code	Nominal Voltage (VAC)	Coil Resistance ( $\Omega$ ) $\pm 10\%$	Must operate volt- age max. (VAC)	Must release volt- age min. (VAC)	Max. allowable voltage (VAC)
5006	6	16	4.8	1.8	6.6
5012	12	63	9.6	3.6	13.2
5024	24	253	19.2	7.2	26.4
5115	115	5819	88.0	34.5	126.5
5220	220	21296	176	66	242
5230	230	23726	184	69	253

Other coil voltages available on request

## Ordering codes



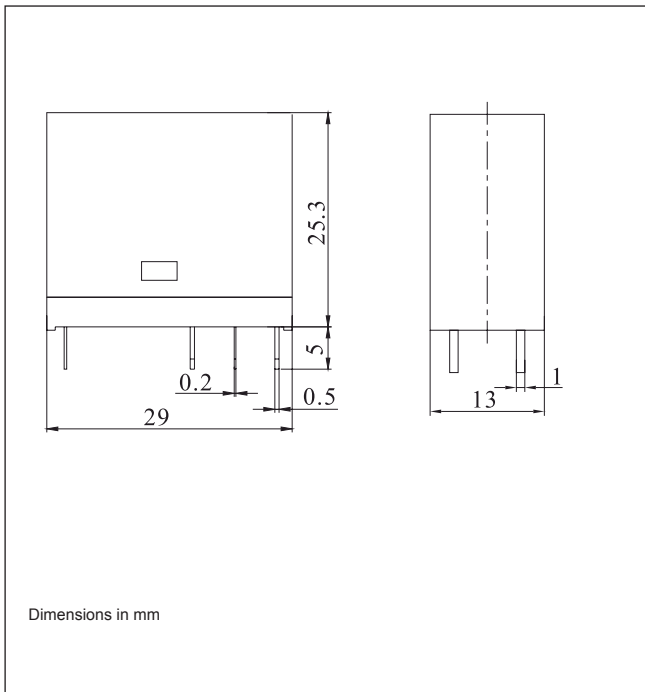
# DM42

pcb power relay



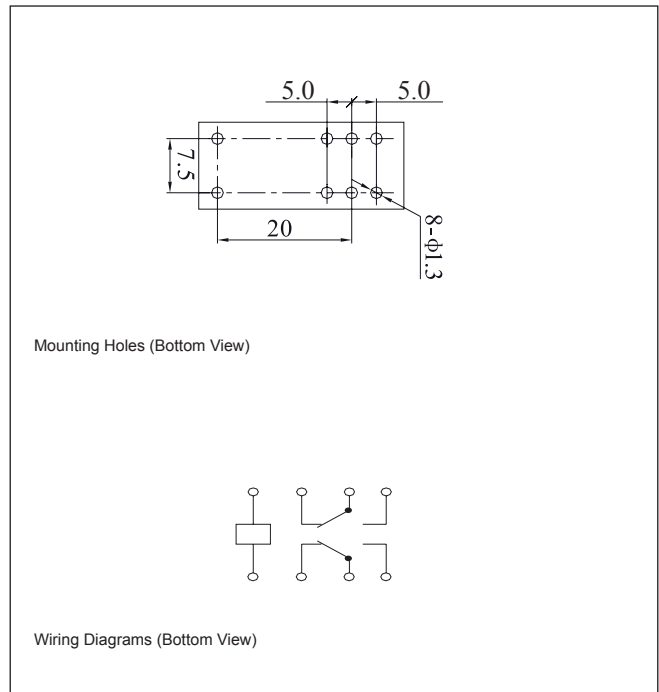
Overall Dimensions

Fig. 1



PCB Mounting Dimensions

Fig. 2



Reference Curves

Fig. 3

