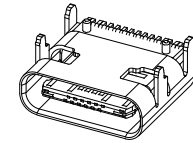
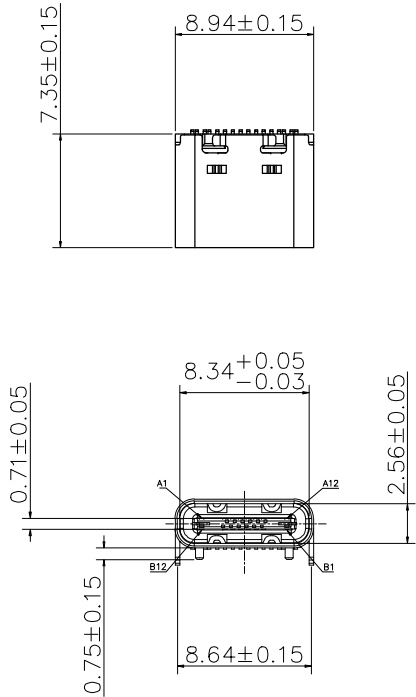
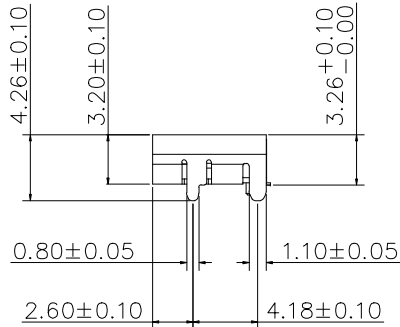




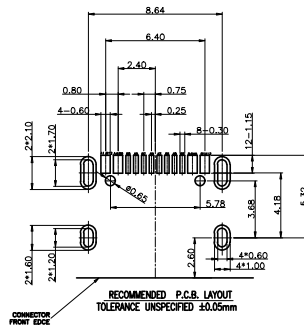
REV.	ECN NO OR DESCRIPTION	REVISED	DATE



- NOTES:  
SPECIFICATION:
1. CURRENT RATING: 5.0A MAX
  2. VOLTAGE: 100 VAC
  3. TEMPERATURE RANGE: -30 °C ~ 85 °C
  4. CONTACT RESISTANCE: 40 MILLIONHM MAX
  5. INSULATION RESISTANCE: 100 MEGOHMS MIN.
  6. LNSERTION FORCE : 5N~20N
  7. UNMATING FORCE: 8N~20N
  8. DURABILITY: 10,000 CYCLES



PIN	Signal Name	PIN	Signal Name
A1	GND	B12	GND
A2	/	B11	/
A3	/	B10	/
A4	VBUS	B9	VBUS
A5	CC1	B8	SUB2
A6	Dp1	B7	Dn2
A7	Dn1	B6	Dp2
A8	SUB1	B5	CC2
A9	VBUS	B4	VBUS
A10	/	B3	/
A11	/	B2	/
A12	GND	B1	GND



3	SHELL	STAINLESS STEEL	NI Plated	1PCS
2	CONTACT	COPPER ALLOY	Au1u"/Ni Plated	1SET
1	HOUSING	HIGH TEMPERATURE PLASTIC	BLACK	1PCS
NO.	DESCRIPTION	MATERIAL	REMARKS	QTY

UNLESS OTHERWISE SPECIFED TOLERANCES

DECIMALS: ANGLES:  
 X :±0.5 X :±2°  
 X.X :±0.20 X.X :±1°  
 X.XX :±0.10

东莞市汉博电子科技有限公司  
DONGGUAN HANBO TECHNOLOGY CO., LTD

TITLE	TYPE-C 16Pin连接器(1次模) 6.80mm			
DWN	xiong	PART NO. MC-307		
CHKD	lee	SCALE:1:1	UNIT: mm	
APVD	wang	SIZE: A4	SHEET:10F 1	REV: A4
CUSTOMER COPY				

